

DO NOT SCALE FROM THIS PRINT

TABLE 3

SERIES	"B"	"C"	"D"	GRF7-J-P-X-RA-THX-BDY	GRF7-J-P-X-RA-THX-SKT
-TH1	2.80 [0.110]	7.41 [0.292]	2.80 [0.110]	GRF7-J-P-X-RA-TH1-BDY	GRF7-J-P-X-RA-TH1-SKT
-TH2	2.20 [0.087]	6.81 [0.268]	2.20 [0.087]	GRF7-J-P-X-RA-TH2-BDY	GRF7-J-P-X-RA-TH2-SKT
-TH3	1.60 [0.063]	6.21 [0.244]	1.60 [0.063]	GRF7-J-P-X-RA-TH3-BDY	GRF7-J-P-X-RA-TH3-SKT

TABLE 1

ITEM	COMPONENT	-HF	-GF
1	SHELL	GRF7V-J-P-F-RA-SHL	
2	SOCKET (SEE TABLE 3)	GRF7-J-P-H-RA-TH1-SKT	GRF7-J-P-G-RA-TH1-SKT
3	INSULATOR 1	GRF7-J-P-RA-INS-001	
4	BODY (SEE TABLE 3)	GRF7-J-P-F-RA-THX-BDY	GRF7-J-P-N-RA-THX-BDY
5	INSULATOR 2	GRF7-J-P-RA-INS-003	

LEAD STYLE
 -1: .093 BOARD
 -2: .062 BOARD
 -3: .039 BOARD (SEE TABLE 3)

TERMINATION
 -TH: THROUGH HOLE

ORIENTATION
 -RA: RIGHT ANGLE

PLATING SPECIFICATION
 -HF: 30µ" GOLD CENTER CONTACT, 3µ" GOLD OUTER CONTACT
 -GF: 10µ" GOLD CENTER CONTACT, 3µ" GOLD OUTER CONTACT, 100µ" NICKEL REMAINING PARTS (SEE TABLE 1)

GENDER
 -J: JACK

TYPE
 -P: PCB

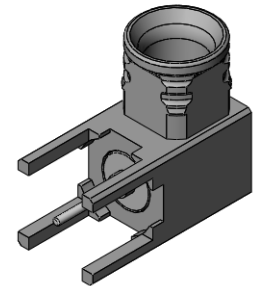
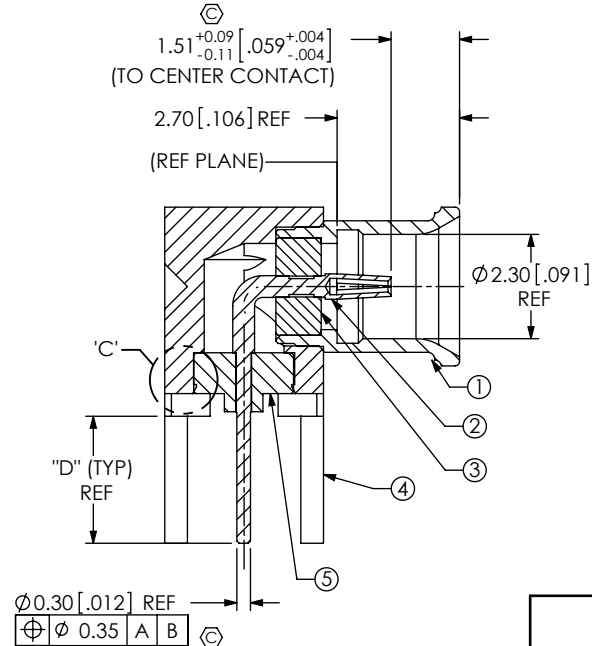
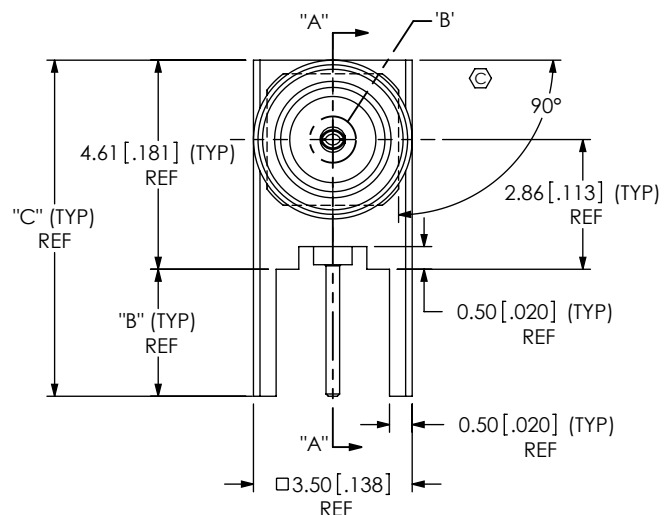
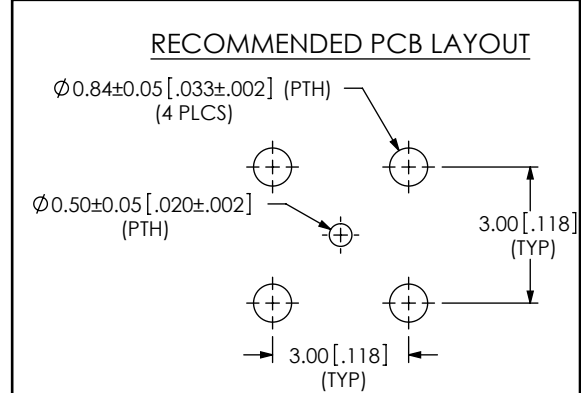
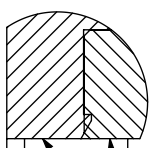
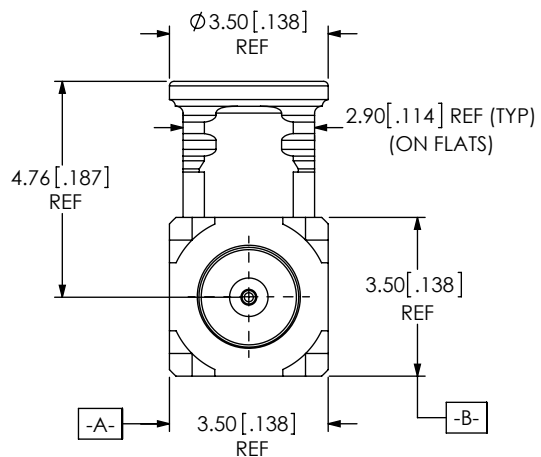
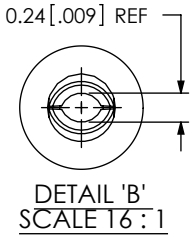
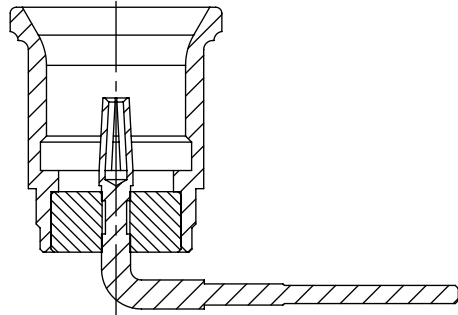


FIG 1
 MMCX7-J-P-XX-RA-TH1-ASM SHOWN
 -TH2 & -TH3 IS SIMILAR

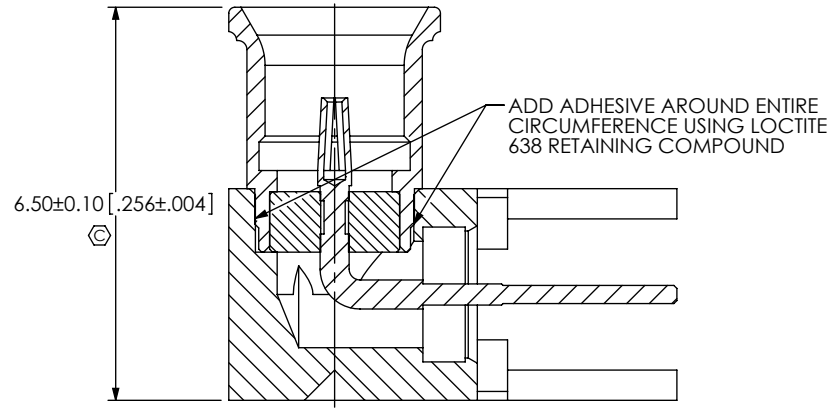


- NOTES:
- ⊕ REPRESENTS A CRITICAL DIMENSION.
 - PRODUCT TO BE PACKAGED PER PACKING STANDARD CO-RF-WI-3040-M.
 TRAY: TY-SMA001-1
 COVER: TY-SMA001-2
 100 PARTS PER TRAY (1 PARTS PER POCKET)

UNLESS OTHERWISE SPECIFIED, DIMENSIONS ARE IN MILLIMETERS [INCHES]. TOLERANCES ARE: DECIMALS ANGLES X.X: ±0.3 [.01] 5° X.XX: ±0.13 [.005] X.XXX: ±0.051 [.0020]	PROPRIETARY NOTE THIS DOCUMENT CONTAINS INFORMATION CONFIDENTIAL AND PROPRIETARY TO SAMTEC, INC. AND SHALL NOT BE REPRODUCED OR TRANSFERRED TO OTHER DOCUMENTS OR DISCLOSED TO OTHERS OR USED FOR ANY PURPOSE OTHER THAN THAT WHICH IT WAS OBTAINED WITHOUT THE EXPRESSED WRITTEN CONSENT OF SAMTEC, INC.		
		520 PARK EAST BLVD, NEW ALBANY, IN 47150 PHONE: 812-944-6733 FAX: 812-948-5047 e-Mail: info@SAMTEC.com code: 55322	
MATERIAL: DO NOT SCALE DRAWING SHEET SCALE: 6:1 SHELL / BODY: BRASS SOCKET: BeCu INSULATOR 1 & INSULATOR 2: PTFE		DESCRIPTION: MMCX7 RIGHT ANGLE THROUGH HOLE, JACK- 75 OHM DWG. NO. MMCX7-J-P-XX-RA-THX	
BY: ALVINW 10/08/2011		SHEET 1 OF 2	



IN PROCESS 1
INSERT INSULATOR 1 & SOCKET



IN PROCESS 2
PRESS / INSERT SHELL, INSULATOR 1, SOCKET
INTO BODY

PROPRIETARY NOTE
THIS DOCUMENT CONTAINS INFORMATION
CONFIDENTIAL AND PROPRIETARY TO
SAMTEC, INC. AND SHALL NOT BE REPRODUCED
OR TRANSFERRED TO OTHER DOCUMENTS OR
DISCLOSED TO OTHERS OR USED FOR ANY
PURPOSE OTHER THAN THAT WHICH IT WAS
OBTAINED WITHOUT THE EXPRESSED WRITTEN
CONSENT OF SAMTEC, INC.

DO NOT SCALE DRAWING

SHEET SCALE: 8:1



520 PARK EAST BLVD, NEW ALBANY, IN 47150
PHONE: 812-944-6733 FAX: 812-948-5047
e-Mail: info@SAMTEC.com code: 55322

DESCRIPTION:
MMCX RIGHT ANGLE THROUGH HOLE, JACK- 75 OHM

DWG. NO. **MMCX7-J-P-XX-RA-THX**

BY: ALVINW 10/08/2011 SHEET 2 OF 2