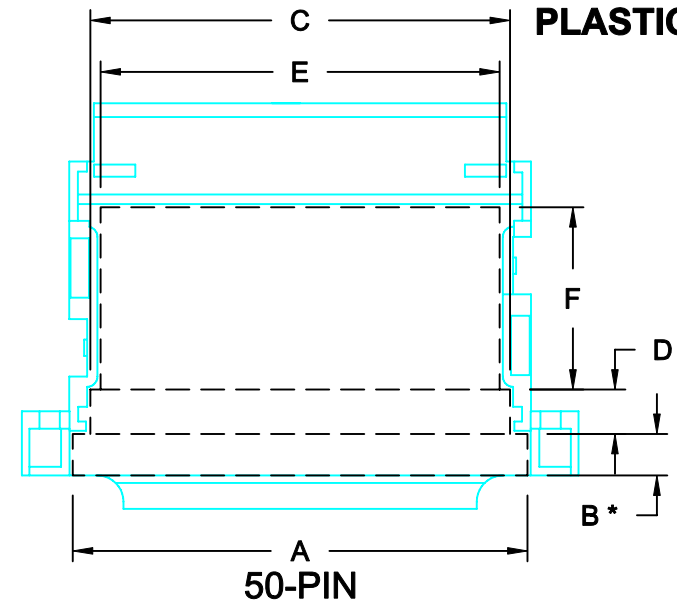
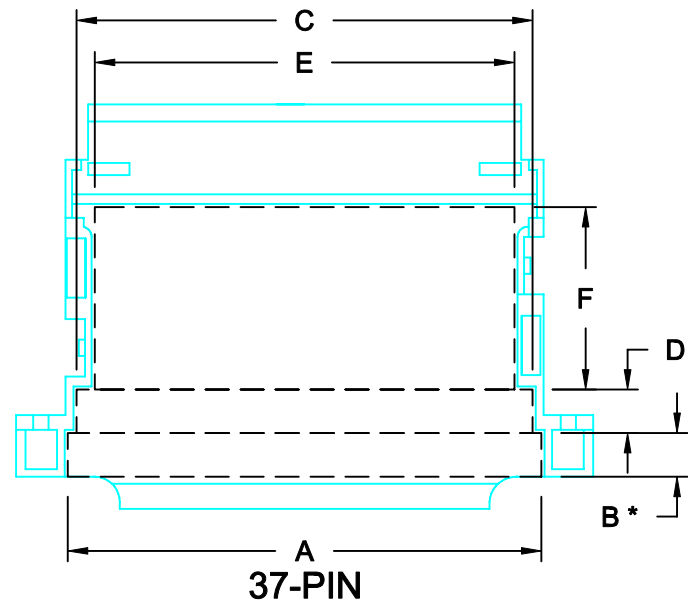
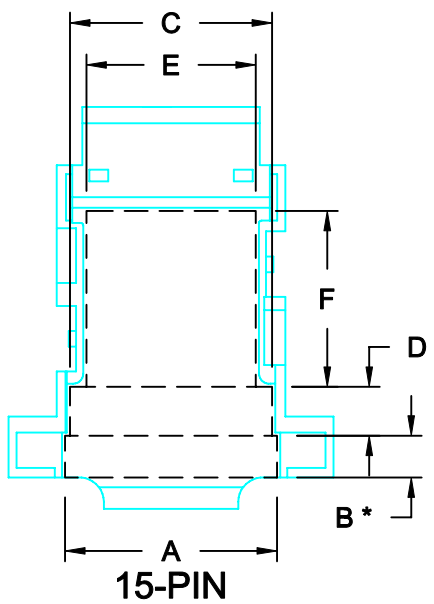
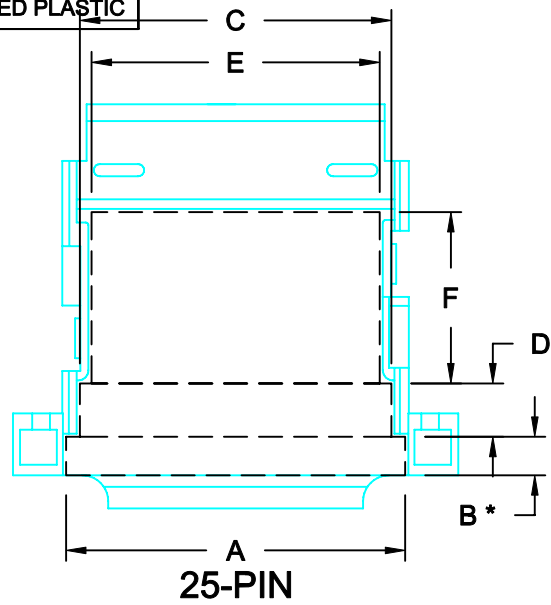
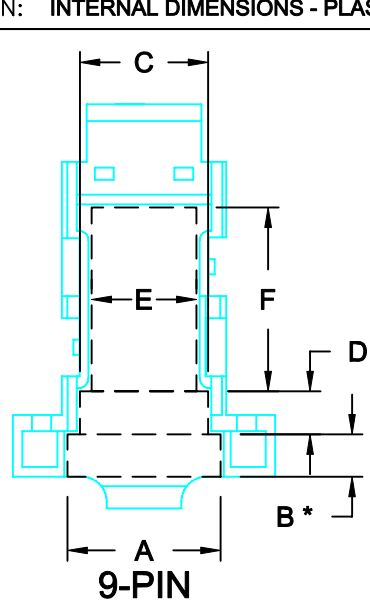


DESCRIPTION: INTERNAL DIMENSIONS - PLASTIC & METALIZED PLASTIC



		DIMENSIONS (IN.)				
		9	15	25	37	50
SEE NOTE 1.	A	0.730	1.010	1.616	2.257	2.167
	B*	0.202	0.199	0.184	0.209	0.198
	C	0.611	0.963	1.484	2.173	2.000
	D	0.205	0.233	0.254	0.207	0.211
	E	0.500	0.807	1.373	2.000	1.902
	F	0.876	0.839	0.817	0.870	0.869
SEE NOTE 2.	PCB	0.433	0.446	0.416	0.460	0.542

**NOTE:**

1. "B" DIMENSION MEASURED FROM BACK SIDE OF CONNECTOR FLANGE
2. MIN. SAFE SPACING BETWEEN BACK SHELLS FOR PCB AND MOUNTED COMPONENTS
3. THESE DIMENSIONS ARE GOOD FOR THE PLASTIC AND METALIZED PLASTIC BACK SHELLS

**PLASTIC & METALIZED PLASTIC**



THESE DRAWINGS AND SPECIFICATIONS ARE THE PROPERTY OF NorComp AND SHALL NOT BE REPRODUCED, COPIED OR USED AS THE BASIS FOR THE MANUFACTURE OF SALE OF APPARATUS WITHOUT WRITTEN PERMISSION.

DRAWN: <b>C. SMITH</b>		DATE: <b>07-14-06</b>	
CHECKED: <b>X</b>		DATE: <b>X</b>	
SCALE: <b>N.T.S.</b>	SHEET <b>1</b>	OF <b>1</b>	REV <b>0</b>

**NorComp**

DWG NO. **ID - 983 SERIES**

**RoHS COMPLIANT**