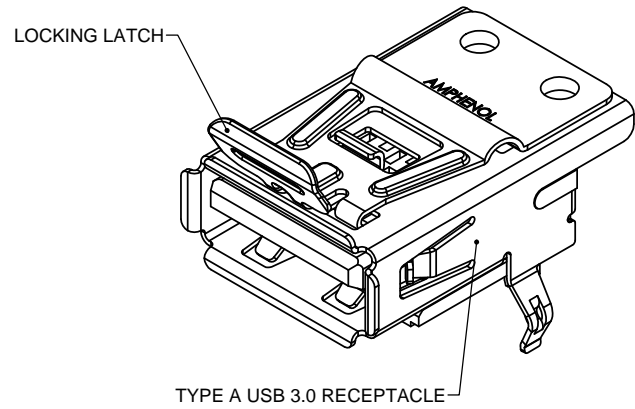
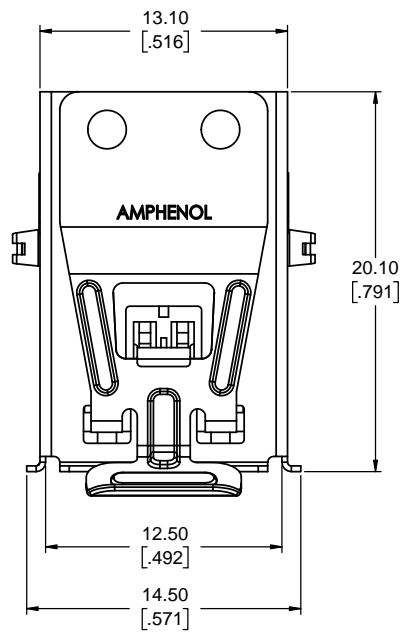
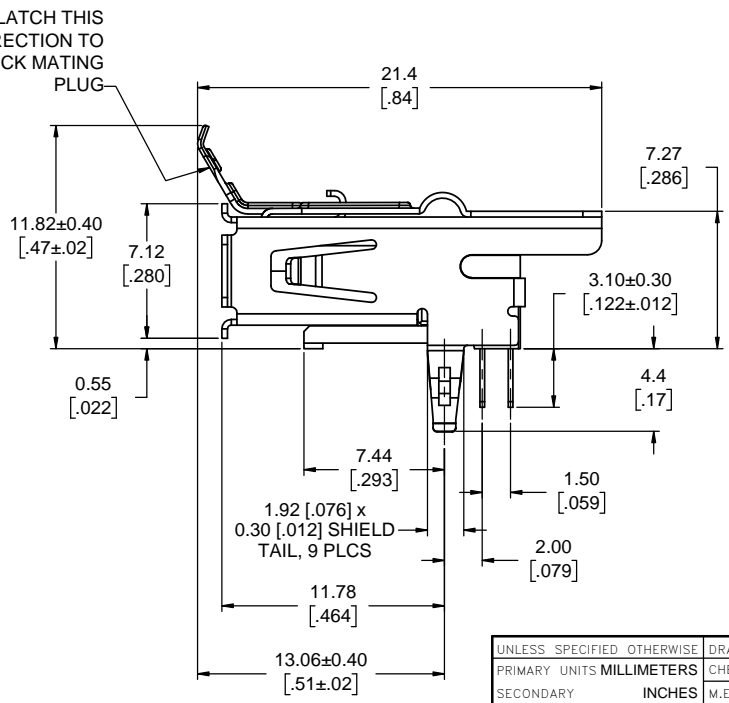
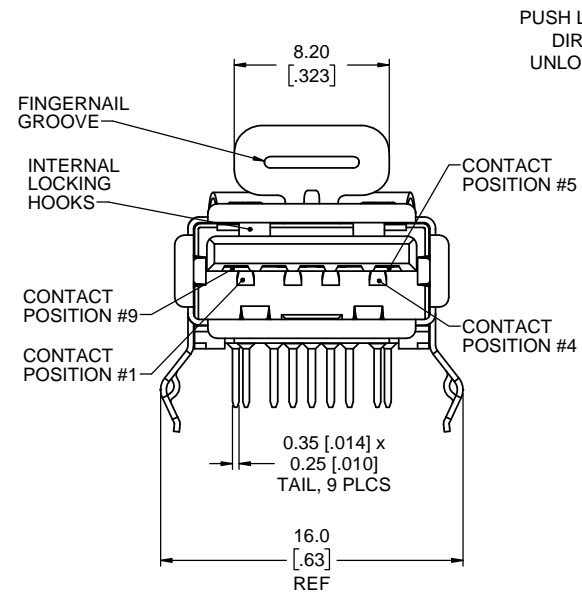


REVISIONS			
REV	DESCRIPTION, ECN, EAR NO.	DATE	APP'D
B	PRODUCT DRAWING (EAR 14331)	JAN21/15	K.L.
C	PRODUCT DRAWING (EAR 14417)	NOV24/16	K.L.



USB 3.0 STANDARD-A CONNECTOR PIN ASSIGNMENTS		
PIN NUMBER	SIGNAL NAME	DESCRIPTION
1	VBUS	POWER
2	D-	USB 2.0 DIFFERENTIAL PAIR
3	D+	
4	GND	GROUND FOR POWER RETURN
5	StdA_SSRX-	SUPERSPEED RECEIVER DIFFERENTIAL PAIR
6	StdA_SSRX+	
7	GND_DRAIN	GROUND FOR SIGNAL RETURN
8	StdA_SSTX-	SUPERSPEED TRANSMITTER DIFFERENTIAL PAIR
9	StdA_SSTX+	
SHELL	Shield	CONNECTOR METAL SHELL



- NOTES:**
- MATERIAL
    - ALL MATERIALS ARE RoHS COMPLIANT PER EU DIRECTIVE 2011/65/EU AND AMENDMENTS
    - SHELL: NICKEL PLATED COPPER ALLOY
    - HOUSING: HIGH TEMPERATURE THERMOPLASTIC, UL94V-0, COLOUR - BLUE
    - CONTACTS: PHOSPHOR BRONZE WITH 0.76 µm [30 µm] GOLD OVER NICKEL ON MATING AREA & MATTE TIN ON SOLDER TAILS
    - LOCKING TAB: STAINLESS STEEL
  - LATCH FEATURE PROVIDES A POSITIVE LOCK TO ANY STANDARD USB 2.0 OR 3.0 TYPE 'A' PLUG.
  - LOCKING RETENTION FORCE: 50 N (11.2 Lbf) MINIMUM
  - OPERATING TEMPERATURE: -40C TO +105C.
  - CURRENT RATING: 1.8A FOR POSITIONS 1 AND 4, 0.25A FOR REMAINING POSITIONS.

AMPHENOL CANADA P/N: LUSB-3193-00

UNLESS SPECIFIED OTHERWISE	DRAWN	B.COPPING	MAY4/12
PRIMARY UNITS MILLIMETERS	CHECKED	K.LAMBIE	MAY4/12
SECONDARY INCHES	M.E. APP'D		
REFERENCE IN PARENTHESES	Q.A. APP'D		
GENERAL TOLERANCES	DWG APPR.		
1 DECIMAL PLACE ±0.40	ENG. REL. NO.	EAR 14026	
2 DECIMAL PLACES ±0.25	REF.		
3 DECIMAL PLACES	THIRD ANGLE PROJECTION		
ANGULAR DEGREES	DO NOT SCALE DRAWING		

**Amphenol Canada Corp.**  
 www.amphenolcanada.com  
**LUSB SERIES USB 3.0 TYPE A RECEPTACLE WITH POSITIVE LOCKING LATCH, RIGHT ANGLE PCB TAIL, RoHS COMPLIANT**

DWG. NO. **P-LUSB-3193-00** REV **C**

CODE ID NO. 03554 DWG SIZE: X SCALE: 5:1 SHEET 1 OF 2

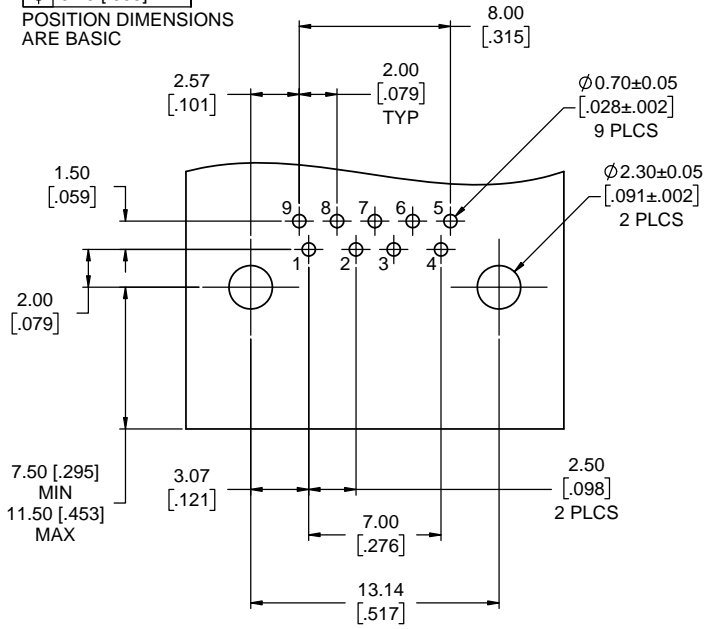
THIS DOCUMENT CONTAINS PROPRIETARY INFORMATION AND SUCH INFORMATION MAY NOT BE DISCLOSED TO OTHERS FOR ANY PURPOSE OR USED FOR MANUFACTURING PURPOSES WITHOUT WRITTEN PERMISSION FROM AMPHENOL CANADA CORP.

REVISIONS			
REV	DESCRIPTION, ECN, EAR NO.	DATE	APP'D
B	PRODUCT DRAWING (EAR 14331)	JAN21/15	K.L.
C	PRODUCT DRAWING (EAR 14417)	NOV24/16	K.L.

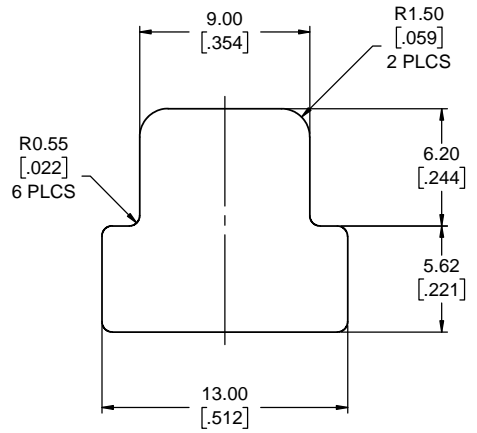
**LOCATE HOLES**

$\varnothing 0.13$  [.005] DIA

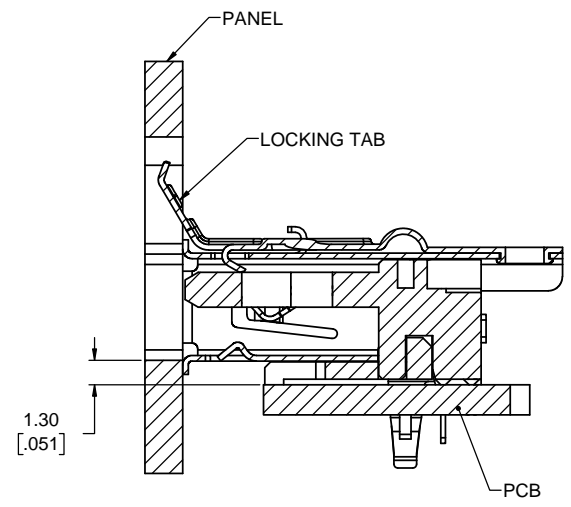
POSITION DIMENSIONS ARE BASIC



**RECOMMENDED PCB LAYOUT**  
COMPONENT SIDE OF BOARD



**RECOMMENDED PANEL CUT-OUT**



**SECTION THROUGH PANEL CUT-OUT**



UNLESS SPECIFIED OTHERWISE	DRAWN	B.COPPING	MAY4/12
PRIMARY UNITS MILLIMETERS	CHECKED	K.LAMBIE	MAY4/12
SECONDARY UNITS INCHES	M.E. APP'D		
REFERENCE IN PARENTHESES	Q.A. APP'D		
GENERAL TOLERANCES	DWG APPR.		
1 DECIMAL PLACE $\pm 0.40$	ENG. REL. NO.	EAR 14026	
2 DECIMAL PLACES $\pm 0.25$	REF.		
3 DECIMAL PLACES	THIRD ANGLE PROJECTION		
ANGULAR DEGREES	DO NOT SCALE DRAWING		

**Amphenol Canada Corp.**  
www.amphenolcanada.com

**LUSB SERIES USB 3.0 TYPE A RECEPTACLE WITH POSITIVE LOCKING LATCH, RIGHT ANGLE PCB TAIL, RoHS COMPLIANT**

DWG. NO. **P-LUSB-3193-00** REV **C**

CODE ID NO. 03554 DWG SIZE: X SCALE: 5:1 SHEET 2 OF 2

THIS DOCUMENT CONTAINS PROPRIETARY INFORMATION AND SUCH INFORMATION MAY NOT BE DISCLOSED TO OTHERS FOR ANY PURPOSE OR USED FOR MANUFACTURING PURPOSES WITHOUT WRITTEN PERMISSION FROM AMPHENOL CANADA CORP.