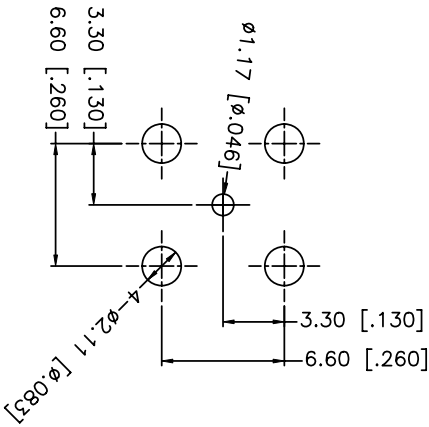
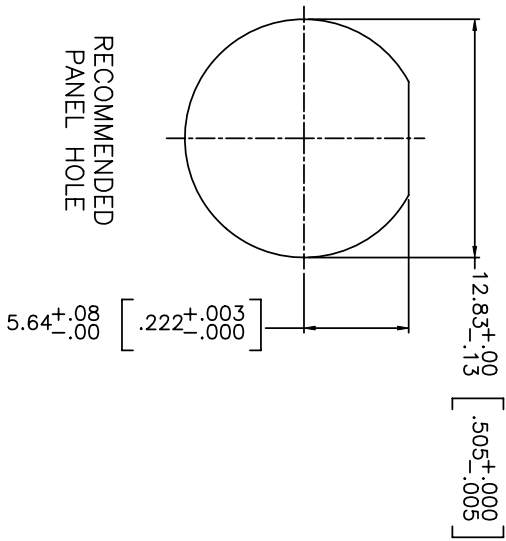
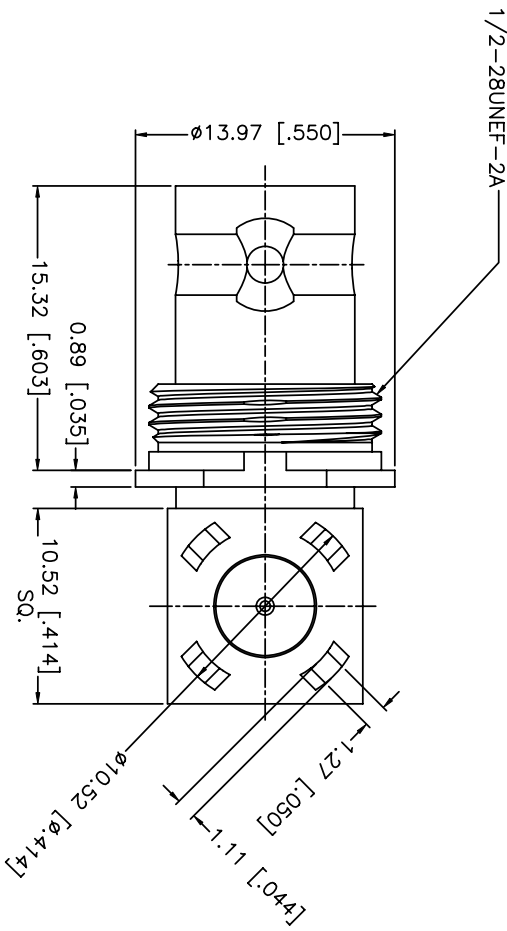
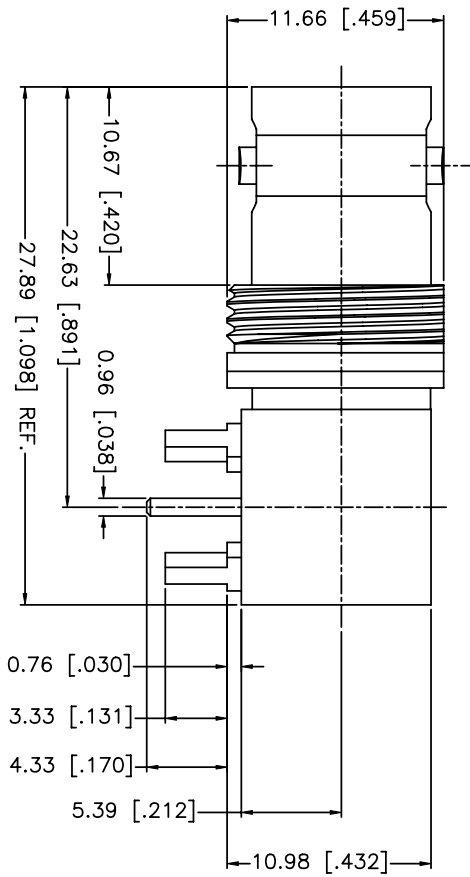
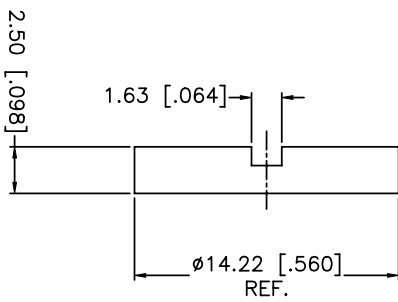


REV.	DATE	ECR NO.	DESCRIPTION
NC	12/13/10	XXXXXX	INITIAL RELEASE



RECOMMENDED  
PCB MOUNTING HOLE



1. PANEL THICKNESS=2.0 MM [.079"]

DESCRIPTION	MATERIAL	FINISH	QTY
5 NUT	BRASS	NICKEL	1
4 HOUSING	BRASS	TIN	1
3 CONTACT PIN	PHOSPHOR BRONZE	GOLD	1
2 INSULATOR	PTFE	NATURAL	2
1 BODY	BRASS	NICKEL	1

UNLESS OTHERWISE SPECIFIED DIMENSIONS ARE IN MILLIMETERS. DIMENSIONS IN [ ] ARE IN INCHES AND FOR CUSTOMER REFERENCE ONLY.  
TOLERANCES FOR MILLIMETERS ARE:  
UNLESS OTHERWISE SPECIFIED:  
0.5 - 8mm ± 0.20mm  
8 - 30mm ± 0.40mm  
30 - 120mm ± 0.50mm  
TOLERANCES FOR INCHES ARE:  
UNLESS OTHERWISE SPECIFIED:  
.020 - .315 = ± 0.007"  
.315 - 1.180 = ± 0.015"  
1.180 - 4.724 = ± 0.020"  
DO NOT SCALE DRAWING

APPROVALS	DATE
DRAWN F.WANG	12/13/10
CHECKED	
ISSUED	
SHEET 1 OF 1	

CAD FILE C:/CONNEX/112809-75.DWG

DWG NO. 112809-75.DWG

REV. NC

SIZE A

SCALE NA

**Amphenol Connex**

PART DESCRIPTION  
BNC JACK R/A PCB 75 OHM  
3GHZ BULKHEAD

PART NO. 112809-75