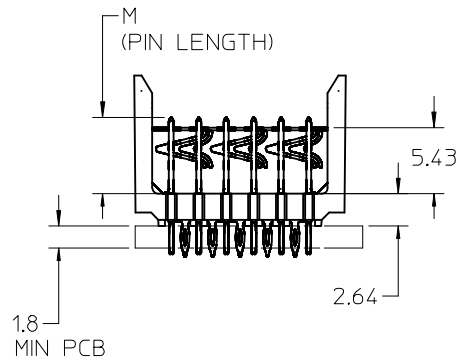
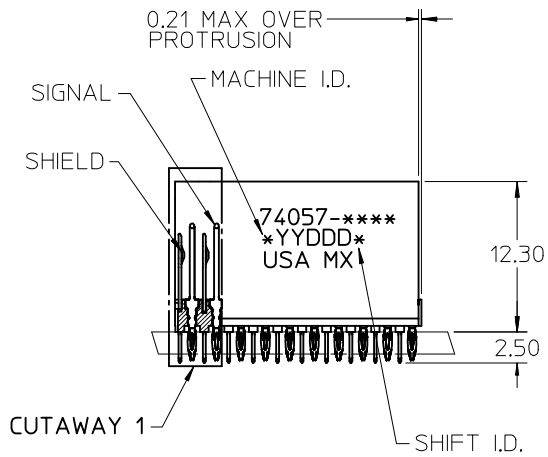


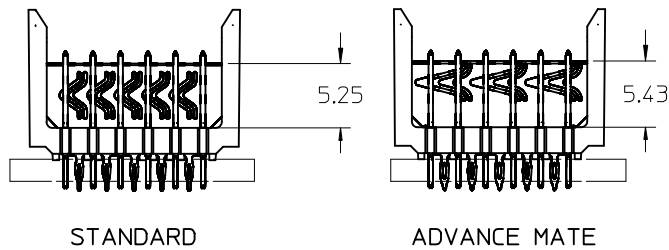
BACKPLANE HOLE PATTERN  
RECOMMENDED DIMENSION

THE PRIMARY CARTON WITH A LABEL STATING "ELV AND RoHS COMPLIANT" IS LEAD FREE. CARTONS WITHOUT THIS LABEL MAY CONTAIN LEAD.



NOTES:

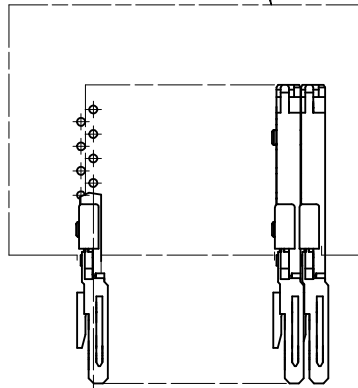
- MATERIAL: HOUSING -LIQUID CRYSTAL POLYMER (LCP), GLASS-FILLED, UL 94 V-0. COLOR BLACK. SIGNAL & SHIELD -COPPER ALLOY.
- FINISHES:  
CONTACT AREA: SELECTIVE GOLD (Au) 0.25 (MAPS), 0.76, OR 1.27 micrometer THICKNESS  
PCB TAILS: SELECTIVE MATTE TIN (Sn) NICKEL (Ni) OVERALL.
- THIS PART CONFORMS TO MOLEX PRODUCT SPECIFICATION PS-74031-999.
- FOR MIXED CONTACT MATING LENGTHS CONSULT MOLEX FOR AVAILABILITY.
- FOR SPECIFIC PART NUMBER AND MATING INFORMATION REFER TO SHEET 2.
- PACKAGE PER: PK-74057-003.
- EITHER MARK PART NUMBER AND DATE CODE APPROXIMATELY WHERE SHOWN OR PLACE LABEL ON THE TUBE.
- MAPS (MOLEX ADVANCED PLATING SYSTEM).



| <b>LEAD FREE CONVERSION</b><br>EC NO: UCP2013-0687<br>TDR:W/RH/PPLE 2012/11/19<br>CHKD:WOLFE 2012/11/19<br>APPR:SMILLER 2012/12/14<br>REV DESCRIPTION | QUALITY SYMBOLS   | GENERAL TOLERANCES (UNLESS SPECIFIED)   | DIMENSION STYLE  | SCALE                               | DESIGN UNITS               | THIRD ANGLE PROJECTION |           |           |          |           |           |          |            |           |         |            |           |         |       |       |         |       |        |  |
|---|---|---|--|-------------------------------------|----------------------------|------------------------|-----------|-----------|----------|-----------|-----------|----------|------------|-----------|---------|------------|-----------|---------|-------|-------|---------|-------|--------|--|
|   | $\nabla E=0$<br>$\nabla F=0$<br>$\nabla G=0$  | <table border="1"> <tr> <th></th> <th>mm</th> <th>INCH</th> </tr> <tr> <td>4 PLACES</td> <td><math>\pm</math>---</td> <td><math>\pm</math>---</td> </tr> <tr> <td>3 PLACES</td> <td><math>\pm</math>---</td> <td><math>\pm</math>---</td> </tr> <tr> <td>2 PLACES</td> <td><math>\pm 0.25</math></td> <td><math>\pm</math>---</td> </tr> <tr> <td>1 PLACE</td> <td><math>\pm 0.38</math></td> <td><math>\pm</math>---</td> </tr> <tr> <td>0 PLACE</td> <td><math>\pm</math></td> <td><math>\pm</math></td> </tr> </table> |  | mm                                  | INCH                       | 4 PLACES               | $\pm$ --- | $\pm$ --- | 3 PLACES | $\pm$ --- | $\pm$ --- | 2 PLACES | $\pm 0.25$ | $\pm$ --- | 1 PLACE | $\pm 0.38$ | $\pm$ --- | 0 PLACE | $\pm$ | $\pm$ | MM ONLY | 2.5:1 | METRIC |  |
|   |   | mm  | INCH   |                                     |                            |                        |           |           |          |           |           |          |            |           |         |            |           |         |       |       |         |       |        |  |
|   | 4 PLACES  | $\pm$ ---   | $\pm$ ---  |                                     |                            |                        |           |           |          |           |           |          |            |           |         |            |           |         |       |       |         |       |        |  |
| 3 PLACES  | $\pm$ ---   | $\pm$ ---   |  |                                     |                            |                        |           |           |          |           |           |          |            |           |         |            |           |         |       |       |         |       |        |  |
| 2 PLACES  | $\pm 0.25$  | $\pm$ ---   |  |                                     |                            |                        |           |           |          |           |           |          |            |           |         |            |           |         |       |       |         |       |        |  |
| 1 PLACE   | $\pm 0.38$  | $\pm$ ---   |  |                                     |                            |                        |           |           |          |           |           |          |            |           |         |            |           |         |       |       |         |       |        |  |
| 0 PLACE   | $\pm$   | $\pm$   |  |                                     |                            |                        |           |           |          |           |           |          |            |           |         |            |           |         |       |       |         |       |        |  |
| DRAWN BY: MOWANG<br>CHECKED BY: JLAURX<br>APPROVED BY: CBIXLER<br>DATE: 2001/08/20<br>DATE: 2001/08/22<br>DATE: 2001/08/22                            | ANGULAR $\pm 1/2^\circ$<br>DRAFT WHERE APPLICABLE<br>MUST REMAIN WITHIN DIMENSIONS  | MATERIAL NO.<br><b>SEE TABLE</b>  | TITLE<br><b>VHDM 6 ROW<br/>         ADVANCE MATE OPEN END<br/>         BACKPLANE SALES DRAWING</b> | DOCUMENT NO.<br><b>SD-74057-003</b> | SHEET NO.<br><b>1 OF 3</b> |                        |           |           |          |           |           |          |            |           |         |            |           |         |       |       |         |       |        |  |
| SIZE B  | THIS DRAWING CONTAINS INFORMATION THAT IS PROPRIETARY TO MOLEX INCORPORATED AND SHOULD NOT BE USED WITHOUT WRITTEN PERMISSION |   |  |                                     |                            |                        |           |           |          |           |           |          |            |           |         |            |           |         |       |       |         |       |        |  |

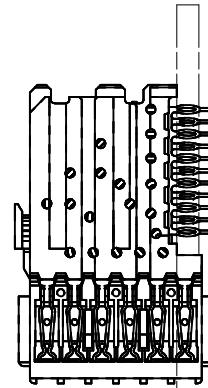
10 9 8 7 6 5 4 3 2 1

DAUGHTERCARD  
CONNECTOR SIDE

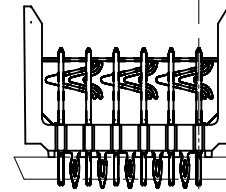
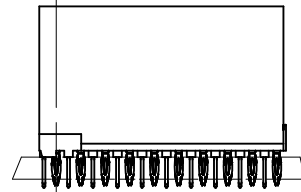


0.41 OFFSET  
SIGNAL TO  
SIGNAL

0.66  
TOP DAUGHTERCARD  
PCB TO CENTER  
OF ROW A



ROW A



|  |  |                                       |  |                            |   |                              |                        |                        |
|--|--|---------------------------------------|--|----------------------------|---|------------------------------|------------------------|------------------------|
| SEE SHEET 1<br>EC NO: UCP2013-0687<br>TDRWN:RWHIPPLE 2012/11/19<br>CHKD:MWOLFE 2012/11/19<br>APPR:SMILLER 2012/12/14 | QUALITY SYMBOLS<br>▽=0<br>▽=0<br>▽=0   | GENERAL TOLERANCES (UNLESS SPECIFIED) |  | DIMENSION STYLE<br>MM ONLY |   | SCALE<br>2.5:1               | DESIGN UNITS<br>METRIC | THIRD ANGLE PROJECTION |
|  |  | 4 PLACES ± --- ± ---                  | DRAWN BY<br>MOWANG   | DATE<br>2001/08/20         | TITLE<br>VHDM 6 ROW<br>ADVANCE MATE OPEN END<br>BACKPLANE SALES DRAWING<br><b>molex</b> |                              |                        |                        |
|  |  | 3 PLACES ± --- ± ---                  | CHECKED BY<br>JLAURX   | DATE<br>2001/08/22         |   |                              |                        |                        |
|  |  | 2 PLACES ± 0.25 ± ---                 | APPROVED BY<br>CBIXLER   | DATE<br>2001/08/22         | MATERIAL NO.<br>SEE TABLE   | DOCUMENT NO.<br>SD-74057-003 | SHEET NO.<br>2 OF 3    |                        |
| 1 PLACE ± 0.38 ± ---   | ANGULAR ± 1/2°<br>DRAFT WHERE APPLICABLE<br>MUST REMAIN<br>WITHIN DIMENSIONS |                                       | THIS DRAWING CONTAINS INFORMATION THAT IS PROPRIETARY TO MOLEX<br>INCORPORATED AND SHOULD NOT BE USED WITHOUT WRITTEN PERMISSION |                            |   |                              |                        |                        |
| 0 PLACE ± ±  |  |                                       | SIZE<br>B  |                            |   |                              |                        |                        |

9 8 7 6 5 4 3 2 1

| PART NUMBER | COLUMN | NUMBER OF SIGNAL PIN | NUMBER OF SHIELD | A     | B     | M    | GOLD THICKNESS MICROMETER | TIN THICKNESS MICROMETER |
|-------------|--------|----------------------|------------------|-------|-------|------|---------------------------|--------------------------|
| 74057-6101  | 10     | 60                   | 10               | 20.00 | 18.00 | 4.75 | 0.25 MAPS                 | 0.76-1.52                |
| 74057-*101  |        |                      |                  |       |       |      | 0.76                      |                          |
| 74057-*106  |        |                      |                  |       |       |      | 1.27                      |                          |
| 74057-7601  | 25     | 150                  | 25               | 50.00 | 48.00 |      | 0.25 MAPS                 |                          |
| 74057-*601  |        |                      |                  |       |       |      | 0.76                      |                          |
| 74057-*606  |        |                      |                  |       |       |      | 1.27                      |                          |
| 74057-6102  | 10     | 60                   | 10               | 20.00 | 18.00 | 6.25 | 0.25 MAPS                 |                          |
| 74057-*102  |        |                      |                  |       |       |      | 0.76                      |                          |
| 74057-*107  |        |                      |                  |       |       |      | 1.27                      |                          |
| 74057-7602  | 25     | 150                  | 25               | 50.00 | 48.00 |      | 0.25 MAPS                 |                          |
| 74057-*602  |        |                      |                  |       |       |      | 0.76                      |                          |
| 74057-*607  |        |                      |                  |       |       |      | 1.27                      |                          |
| 74057-6103  | 10     | 60                   | 10               | 20.00 | 18.00 | 4.25 | 0.25 MAPS                 |                          |
| 74057-*103  |        |                      |                  |       |       |      | 0.76                      |                          |
| 74057-*108  |        |                      |                  |       |       |      | 1.27                      |                          |
| 74057-7603  | 25     | 150                  | 25               | 50.00 | 48.00 |      | 0.25 MAPS                 |                          |
| 74057-*603  |        |                      |                  |       |       |      | 0.76                      |                          |
| 74057-*608  |        |                      |                  |       |       |      | 1.27                      |                          |
| 74057-6104  | 10     | 60                   | 10               | 20.00 | 18.00 | 5.15 | 0.25 MAPS                 |                          |
| 74057-*104  |        |                      |                  |       |       |      | 0.76                      |                          |
| 74057-*109  |        |                      |                  |       |       |      | 1.27                      |                          |
| 74057-7604  | 25     | 150                  | 25               | 50.00 | 48.00 |      | 0.25 MAPS                 |                          |
| 74057-*604  |        |                      |                  |       |       |      | 0.76                      |                          |
| 74057-*609  |        |                      |                  |       |       |      | 1.27                      |                          |

**MATERIAL NUMBER ASSIGNMENT**

74057-\*\*\*0\*

SEE TABLE  
NUMBER OF COLUMNS/PLATING

- 11 = 10 COLUMN MATTE TIN (FORMERLY TIN/LEAD)
- 26 = 25 COLUMN MATTE TIN (FORMERLY TIN/LEAD)
- 61 = 10 COLUMN MATTE TIN (MAPS)
- 76 = 25 COLUMN MATTE TIN (MAPS)
- 91 = 10 COLUMN MATTE TIN
- 86 = 25 COLUMN MATTE TIN

|   |  |  |                                   |                    |   |  |
|---|--|--|-----------------------------------|--------------------|---|--|
| SEE SHEET 1<br>EC NO: UCP2013-0687<br>TDR:WHRHIPPLE 2012/11/19<br>CHKD:HWOLFE 2012/11/19<br>APPR:SMILLER 2012/12/14 | QUALITY SYMBOLS                              | GENERAL TOLERANCES (UNLESS SPECIFIED)  | DIMENSION STYLE                   | SCALE              | DESIGN UNITS  | THIRD ANGLE PROJECTION   |
|   | $\nabla F/0$<br>$\nabla F/0$<br>$\nabla F/0$ | mm   | MM ONLY                           | 1:1                | METRIC  | TITLE<br>VHDM 6 ROW<br>ADVANCE MATE OPEN END<br>BACKPLANE SALES DRAWING<br><b>molex</b><br>DOCUMENT NO. SD-74057-003<br>SHEET NO. 3 OF 3 |
|   |  | INCH   | DRAWN BY                          | DATE               |   |  |
|   |  | 4 PLACES ± --- ± ---<br>3 PLACES ± --- ± ---<br>2 PLACES ± 0.25 ± ---<br>1 PLACE ± 0.38 ± ---<br>0 PLACE ± ± | DRAWN BY<br>MOHWANG<br>2001/08/20 | DATE<br>2001/08/20 |   |  |
| ANGULAR ± 1/2°<br>DRAFT WHERE APPLICABLE<br>MUST REMAIN WITHIN DIMENSIONS   | CHECKED BY<br>JLAURX<br>2001/08/22           | DATE<br>2001/08/22   |                                   |                    |   |  |
| REV   | DESCRIPTION                                  | MATERIAL NO.   | APPROVED BY                       | DATE               | THIS DRAWING CONTAINS INFORMATION THAT IS PROPRIETARY TO MOLEX INCORPORATED AND SHOULD NOT BE USED WITHOUT WRITTEN PERMISSION |  |
|   |  | SEE TABLE  | CBIXLER                           | 2001/08/22         |   |  |