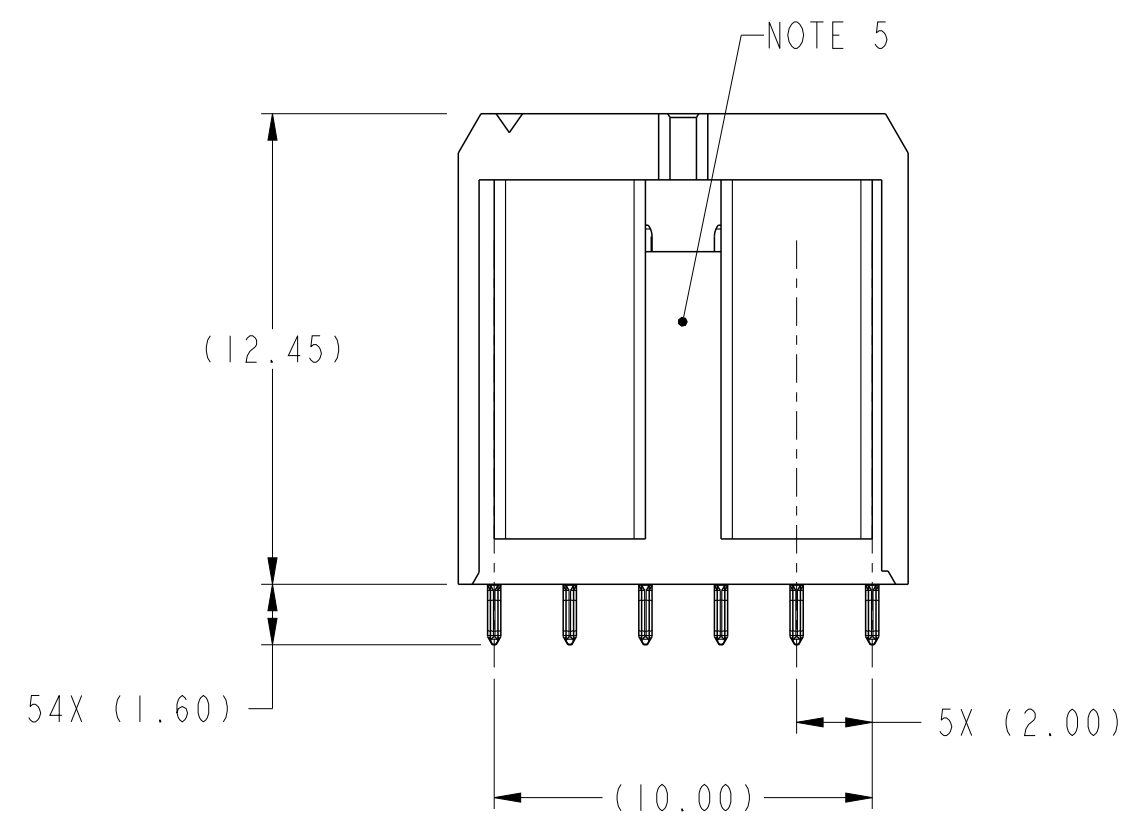
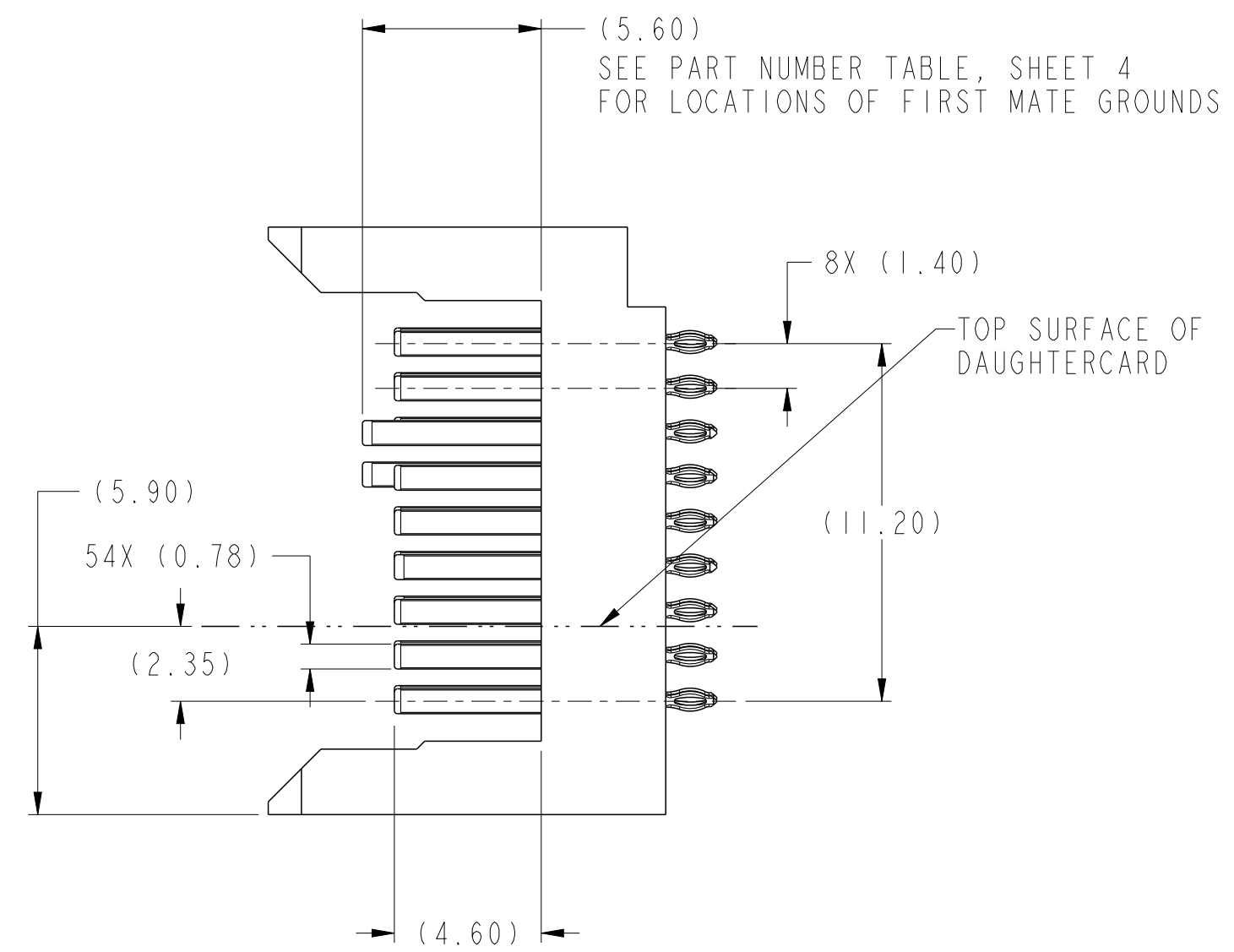
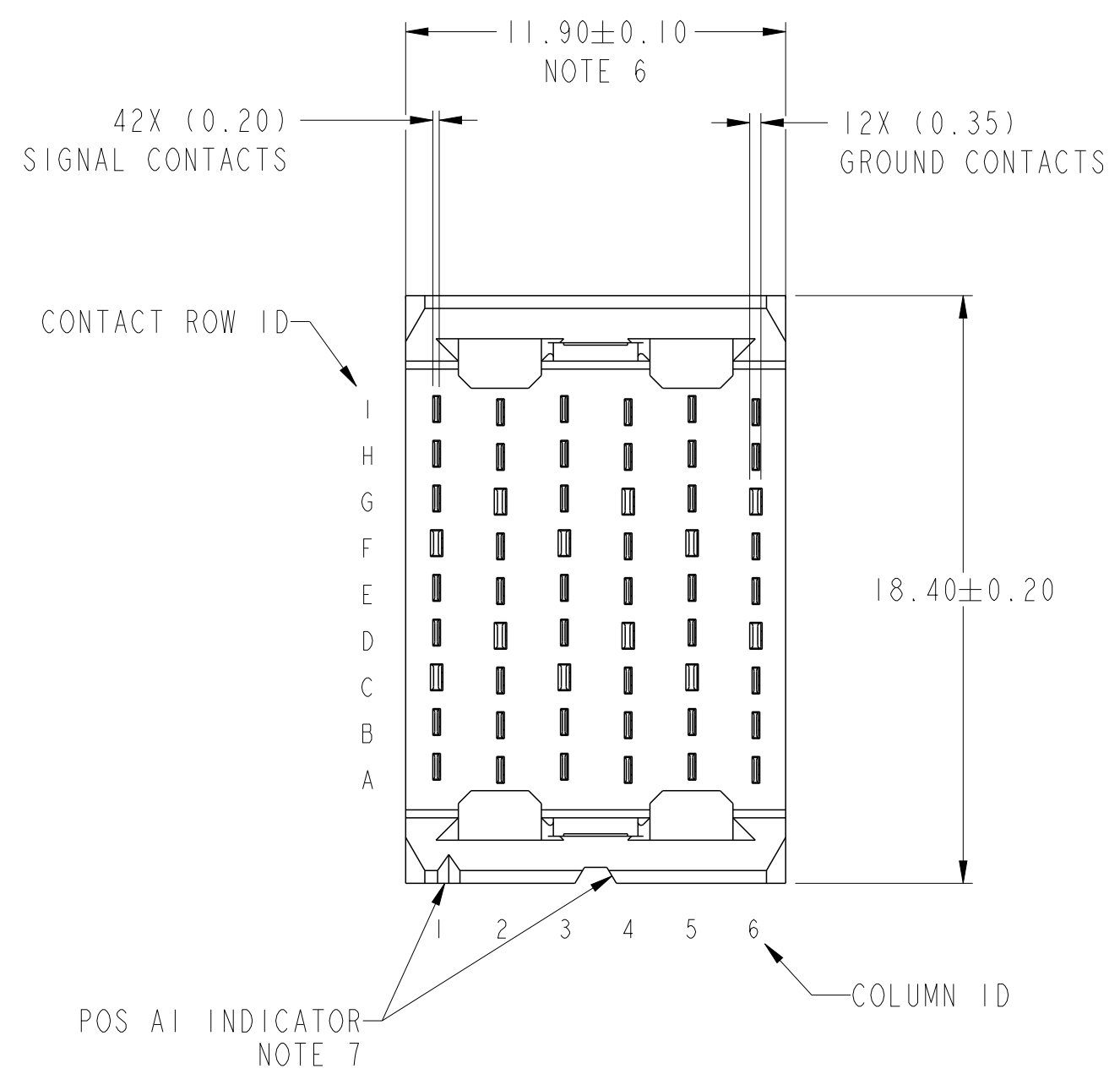


Product number
SEE TABLE, SHT 4



Copyright FCI.
FCI

spec ref	-	dr	Sander Soe	2012/09/12	projection	MM	size	A2	scale	5:1	
tolerance std	ASME Y14.5	eng	Jeny Ren	2014/08/11			ecn no	ELX-DG-18510-1			
		chr	-	rel level			Released				
		appr	Collins Lu	2014/10/23	product family	AIRMAX VS	rel level	Released			
surface	✓	linear	0.X	±0.3		AIRMAX VS2 VERTICAL HEADER 3 PAIR 54 POS 2MM 6 COL	divg no	10122769		rev	B
		0.XX	±0.10	cat. no.			-		Product - Customer Drw	sheet 1 of 4	
		0.XXX	±0.050								
ASME Y14.5	angular	0°	±2°								

1 2 3 4 5 6 7 8

A

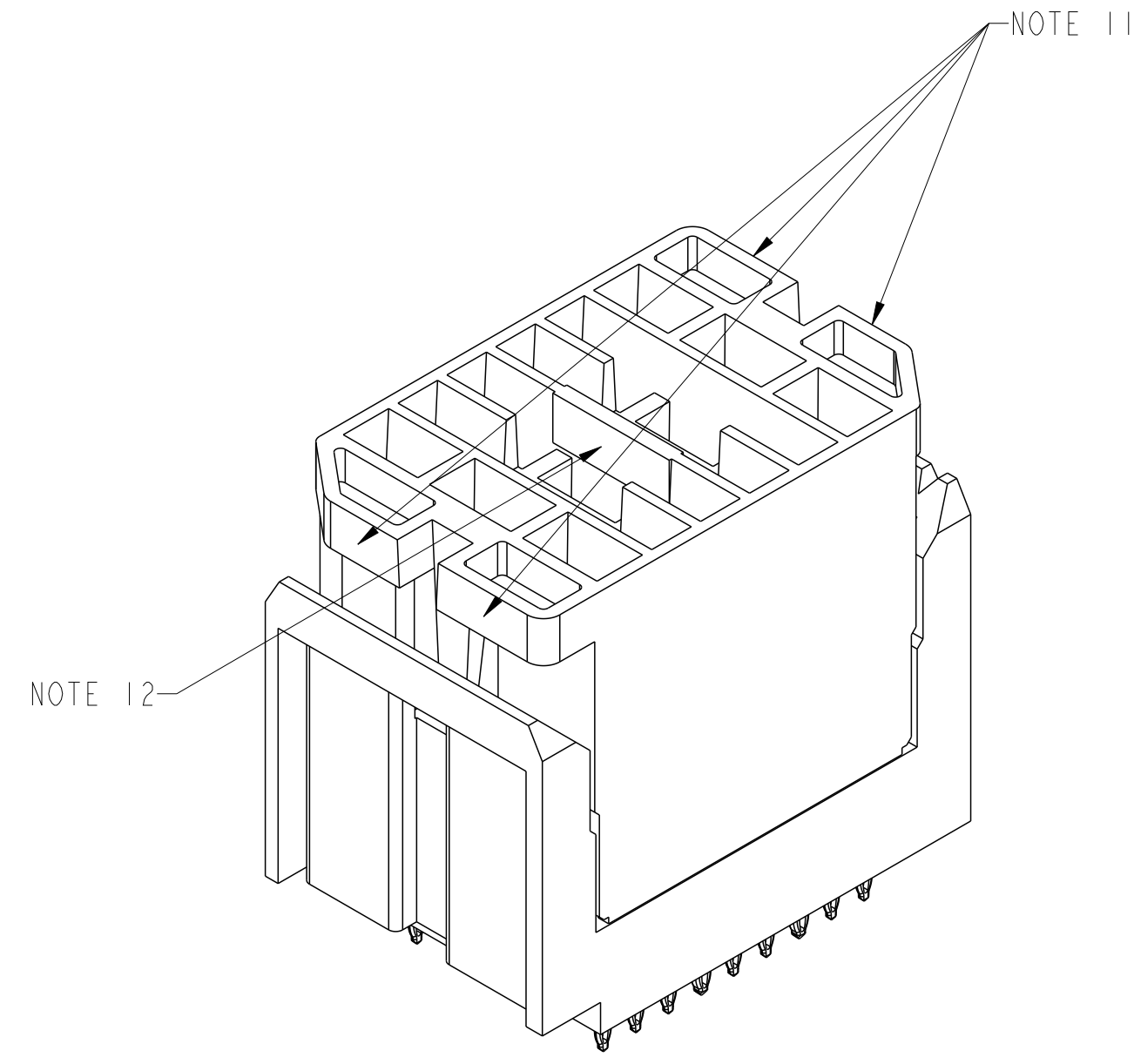
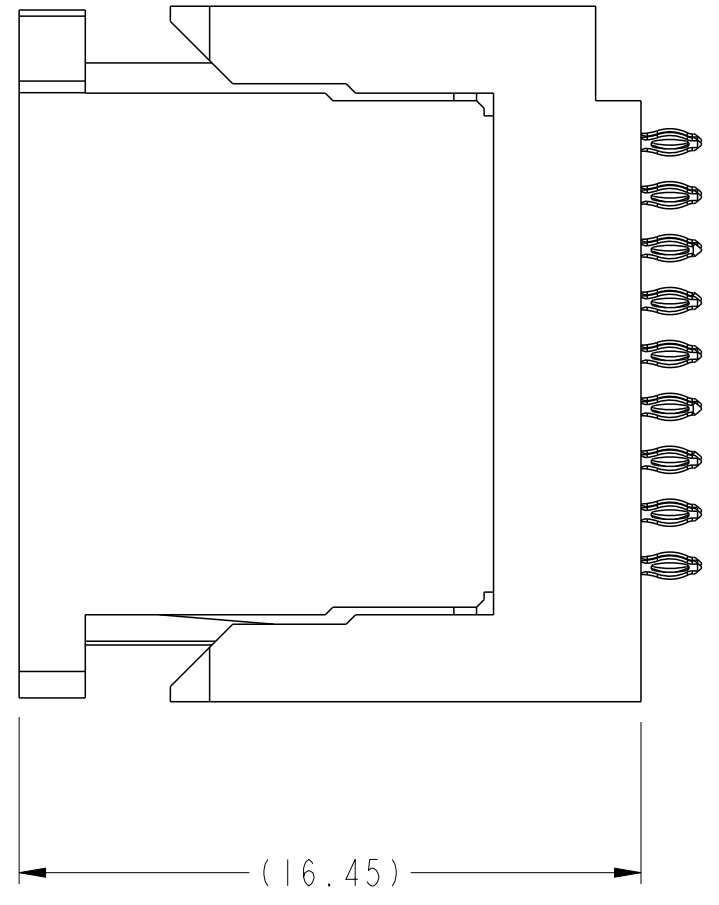
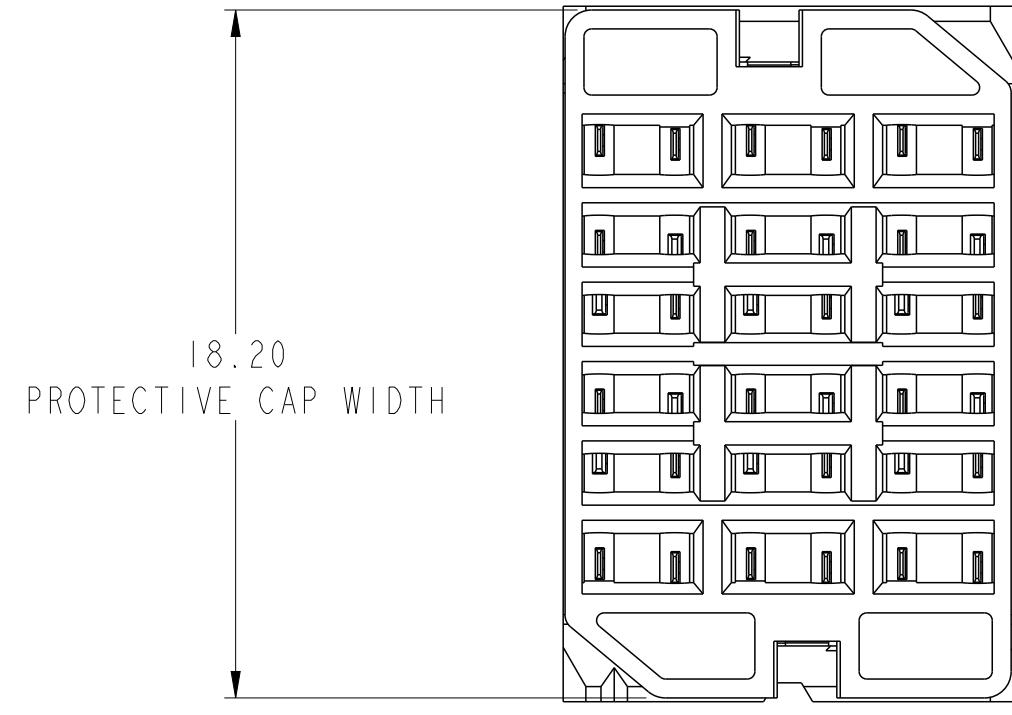
B

C

D

E

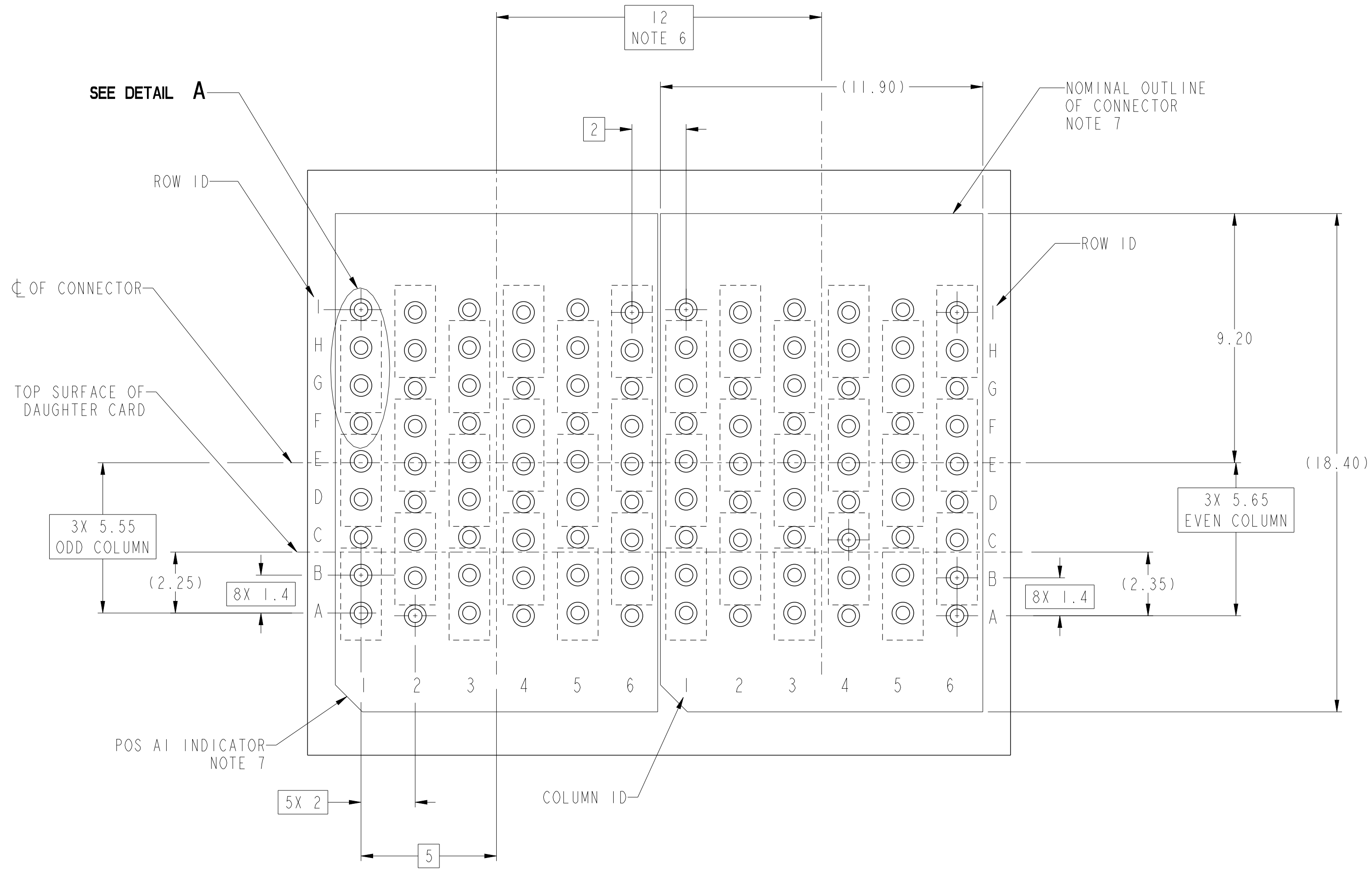
F



VIEWS SHOWN WITH PROTECTIVE COVER INSTALLED
 △ 10122769-101LF

Copyright FCI.
FCI

spec ref	-	dr	Sander Soe	2012/09/12	projection	MM	size	A2	scale	5:1
tolerance std	ASME Y14.5	eng	Jeny Ren	2014/08/11			ecn no	ELX-DG-18510-1		
		chr	-	appr			Collins Lu	2014/10/23	product family	AIRMAX VS
surface	✓	linear	0.X	±0.3		title AIRMAX VS2 VERTICAL HEADER 3 PAIR 54 POS 2MM 6 COL	cat. no.	10122769		
			0.XX	±0.10			rev	B		
		angular	0°	±2°			Product - Customer Drw	sheet 2 of 4		



RECOMMENDED PCB LAYOUT
FOR DIFFERENTIAL APPLICATIONS,
COMPONENT SIDE
(TWO ADJACENT FOOTPRINTS SHOWN)
NOTES 6, AND 8

spec ref	-	dr	Sander Soe	2012/09/12	projection	MM	size	A2	scale	3:1	
tolerance std	ASME Y14.5	eng	Jeny Ren	2014/08/11			ecn no	ELX-DG-18510-1	rel level	Released	
TOLERANCES UNLESS OTHERWISE SPECIFIED		chr	-	product family							AIRMAX VS
surface	✓	appr	Collins Lu	2014/10/23							title
ASME Y14.5	angular	0°	±2°	www.fci.com	cat. no.	-	Product - Customer Drw	sheet 3 of 4			

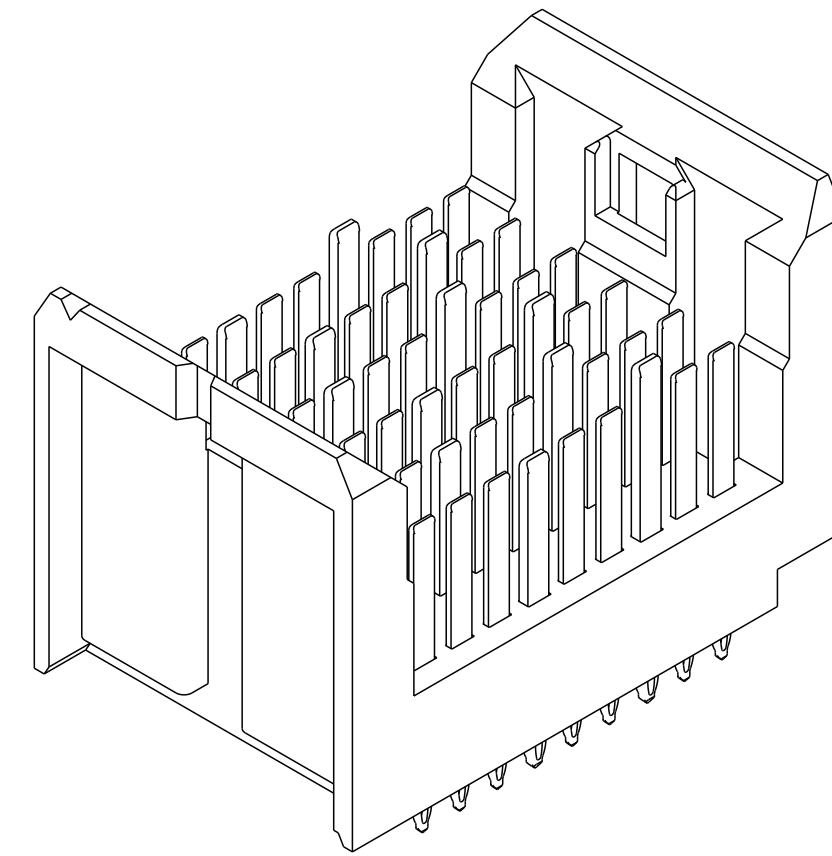


Copyright FCI.

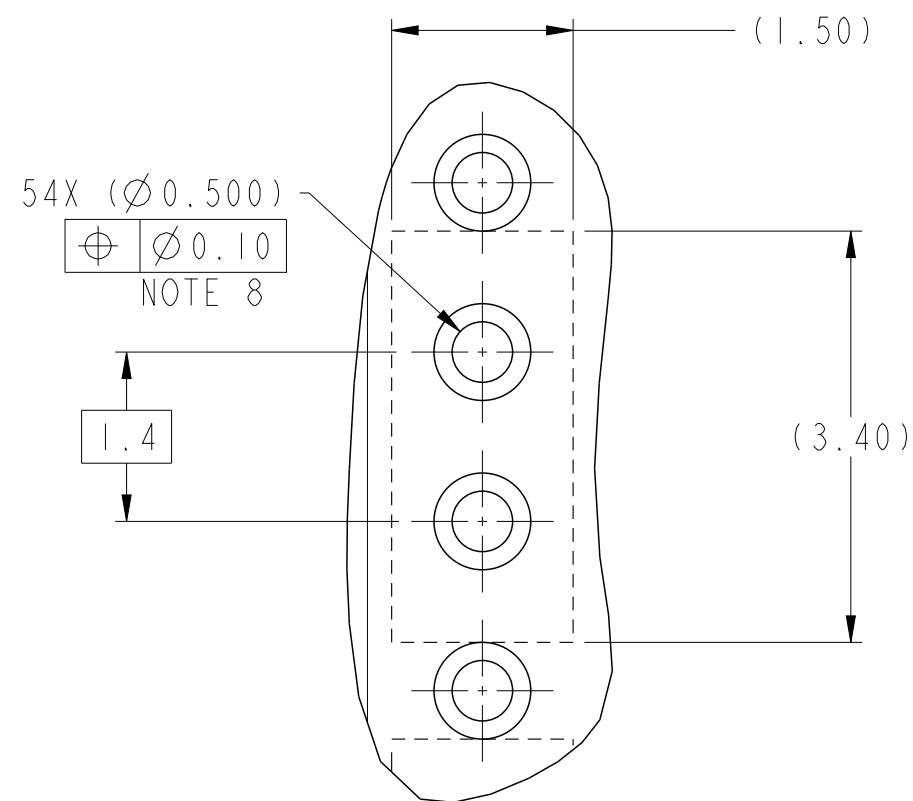
PART NUMBER	PRESS-FIT TAIL PLATING TYPE	PROTECTIVE COVER	FIRST MATE PIN LOCATIONS (5.6mm)	REMARKS
△ 10122769-101LF	TIN OVER NICKEL (LEAD FREE)	YES	F1, F3, F5, G2, G4, G6	△ 2-SIDED PLATING

NOTES:

- CONNECTOR MATERIALS:
HOUSING: HIGH TEMP THERMOPLASTIC, BLACK, UL94V-0
CONTACT: COPPER ALLOY
- CONTACT PLATING:
SEPARABLE INTERFACE: PERFORMANCE-BASED PLATING, QUALIFIED TO MEET THE REQUIREMENTS OF FCI PRODUCT SPECIFICATION GS-12-239 INCLUDING TELCORDIA GR-1217-CORE (NOVEMBER 1995) CENTRAL OFFICE TEST SEQUENCE
PRESS-FIT TAILS: SEE TABLE
- PRODUCT SPECIFICATION: GS-12-239.
- APPLICATION SPECIFICATION: GS-20-035.
- PRODUCT MARKING, (PROTOTYPE, PART NUMBER & LOT CODE), ON THIS SURFACE.
- THE MINIMUM CENTERLINE SPACING BETWEEN ADJACENT MODULES IS 12.0 mm.
- CONNECTOR OUTLINE WITH HOUSING POS A1 INDICATOR MAY BE SCREEN PRINTED ONTO CUSTOMER PCB TO BE USED AS A GUIDE FOR MANUAL CONNECTOR PLACEMENT.
- REFER TO CUSTOMER DRAWING 10104444 FOR INFORMATION ON PCB HOLE DIAMETERS AND PLATING OPTIONS.
- THIS PRODUCT MEETS EUROPEAN UNION DIRECTIVES AND OTHER COUNTRY REGULATIONS AS DESCRIBED IN GS-22-008.
- PACKAGING MEETS GS-14-920 LEAD FREE LABELING SPECIFICATION.
- FOR REMOVAL OF THE PROTECTIVE CAP BY HAND GRIP USING THESE SURFACES.
- FOR REMOVAL OF THE PROTECTIVE CAP WITH PLIERS GRIP USING THIS FEATURE.
- A △ SYMBOL WILL BE NEXT TO ANY DIMENSION, VIEW, OR NOTE THAT HAS BEEN MODIFIED WITH THE CURRENT DRAWING REVISION.



10122769-101LF



DETAIL A
SCALE 16:1

spec ref	-	dr	Sander Soe	2012/09/12	projection	MM	size	A2	scale	5:1
tolerance std	ASME Y14.5	eng	Jeny Ren	2014/08/11			ecn no	ELX-DG-18510-1		
		chr	-	app			Collins Lu	2014/10/23	product family	AIRMAX VS
surface	✓	linear	0.X	±0.3		AIRMUX VS2 VERTICAL HEADER 3 PAIR 54 POS 2MM 6 COL	dwg no	10122769		
			0.XX	±0.10			rev	B		
		angular	0°	±2°			www.fci.com	cat. no.	Product - Customer Drw sheet 4 of 4	