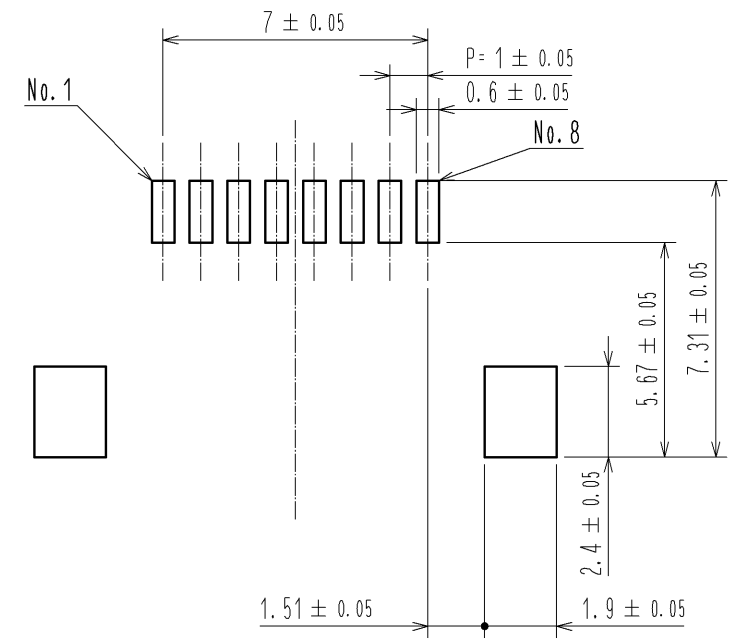
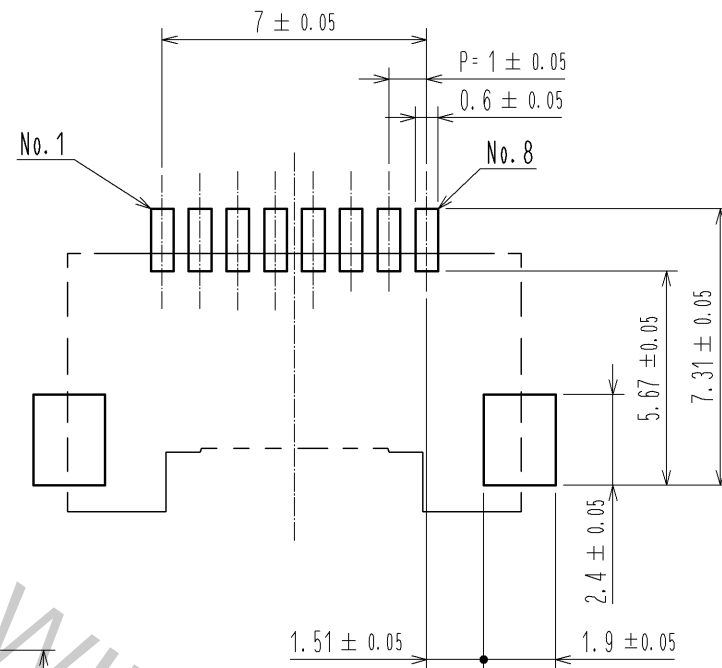
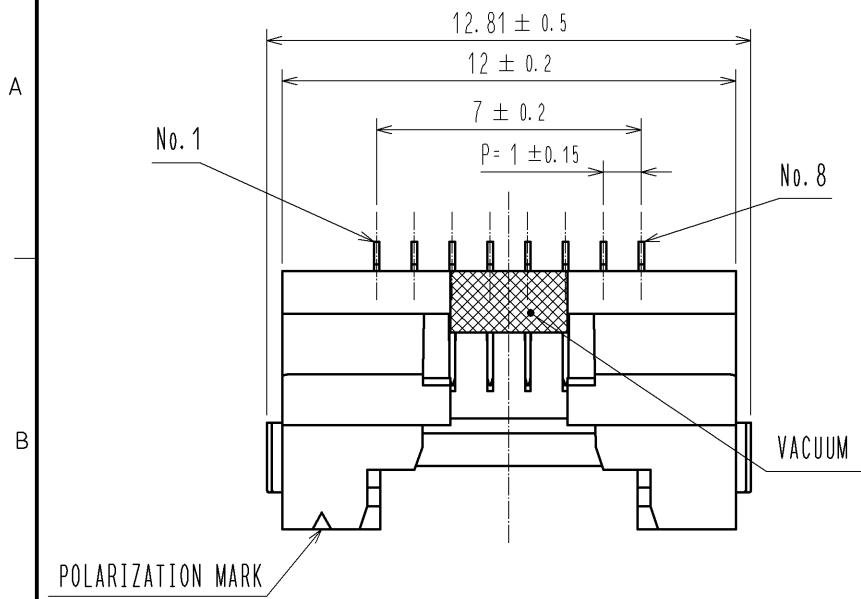


Apr.1.2017 Copyright 2017 HIROSE ELECTRIC CO., LTD. All Rights Reserved.

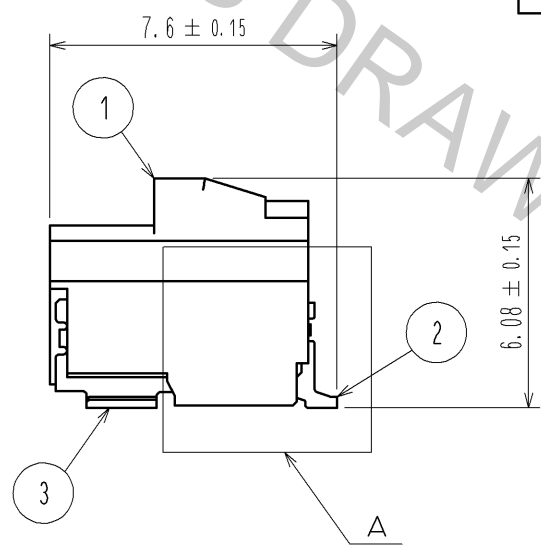
RECOMMENDED PCB LAYOUT  
(MOUNTING SURFACE SIDE) (FREE)

RECOMMENDED METAL MASK (FREE)  
THICKNESS : 0.1mm  
OPEN AREA RATIO:100%

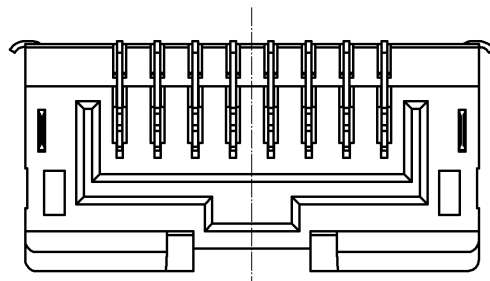
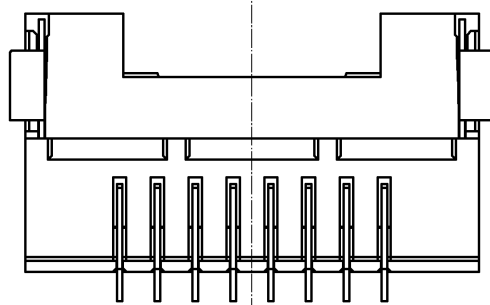
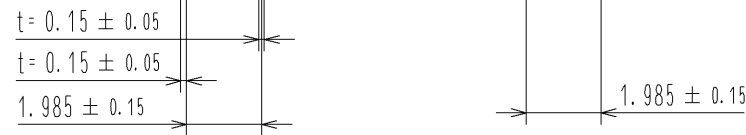
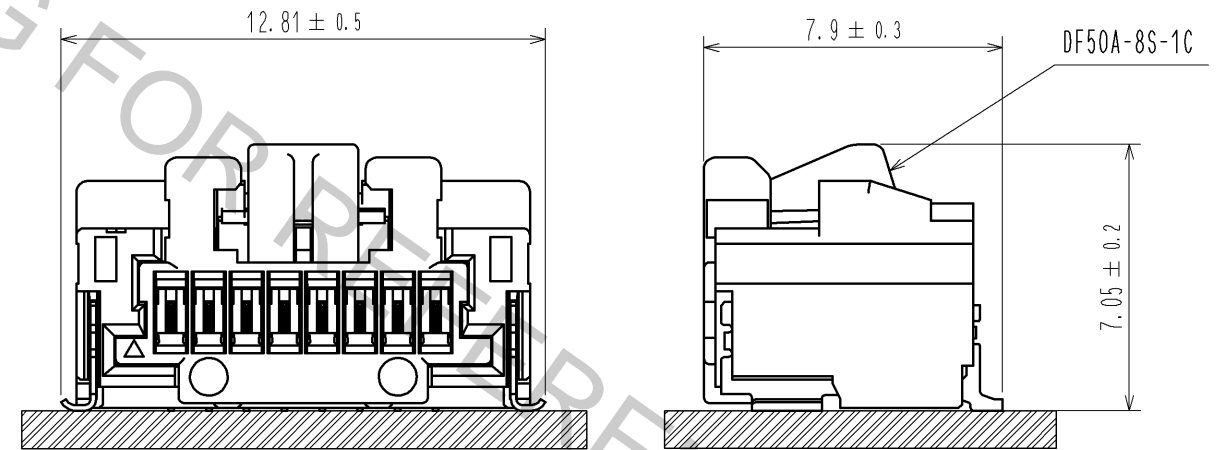


POLARIZATION MARK

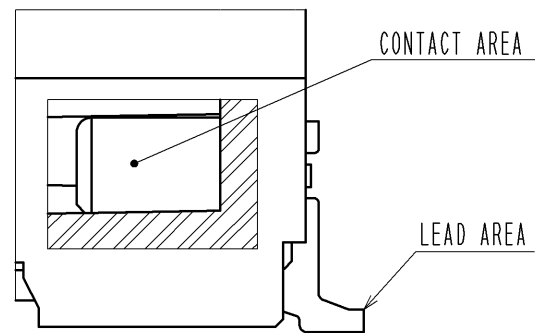
VACUUM PICK UP AREA



MATING FIGURE(5:1)



A (10 : 1)



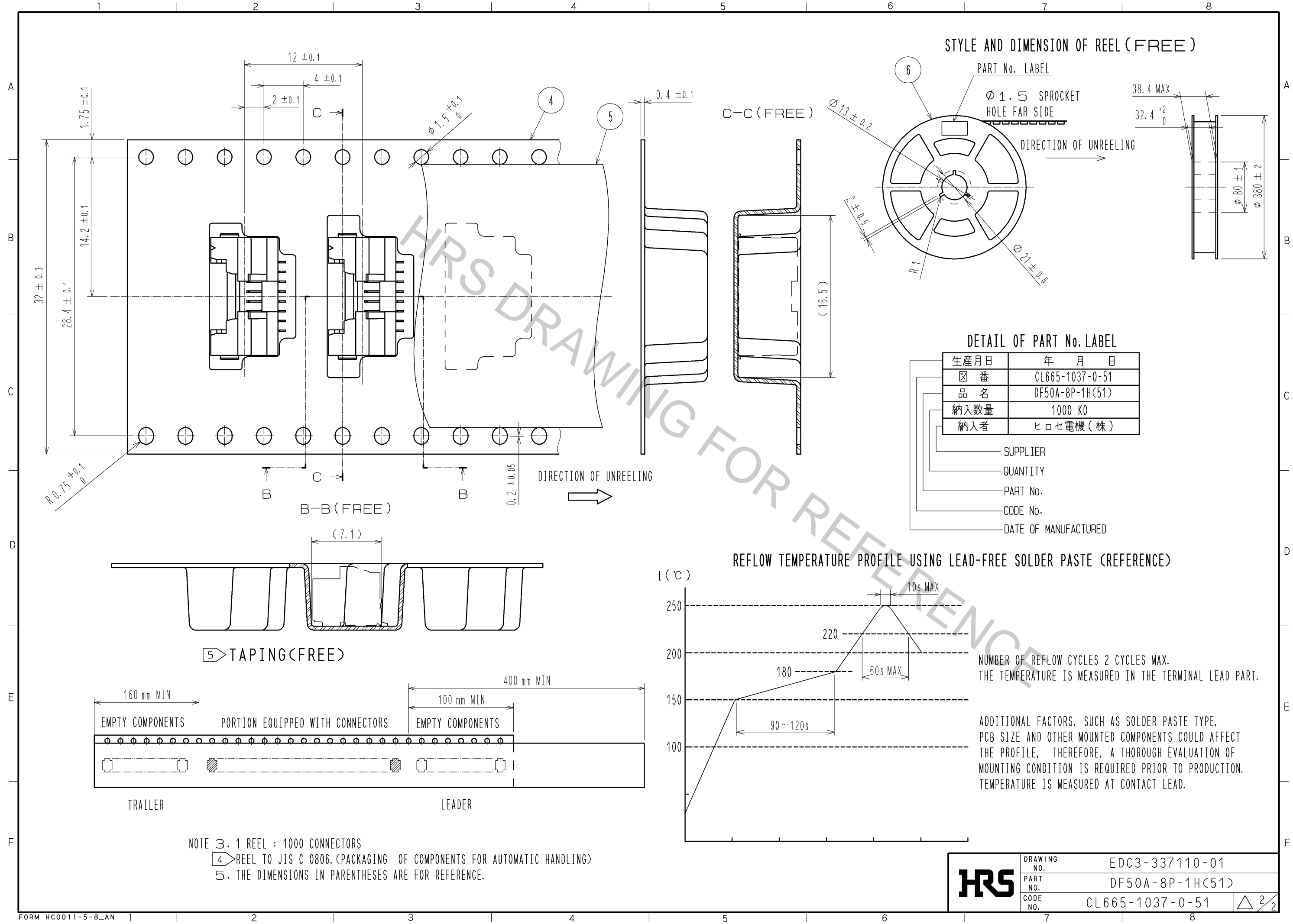
CONTACT AREA

LEAD AREA

- NOTES 1. LEAD CO-PLANARITY SHALL BE 0.1mm MAX  
2. PLEASE CONSULT HIROSE WHEN THE PRODUCT IS MONUTED TO FPC.

3	BRASS	CONTACT AREA : Sn PLATING 1μm MIN UNDER PLATING : Cu PLATING 0.3μm MIN	6	PS	REEL , BLACK
2	BRASS	CONTACT AREA : Au PLATING 0.05μm MIN LEAD AREA : Au PLATING 0.05μm MIN UNDER PLATING : Ni PLATING 1μm MIN	5	POLYESTER	CLEAR
1	LCP	BLACK , UL94V-0	4	PS	CLEAR
NO.	MATERIAL	FINISH , REMARKS	NO.	MATERIAL	FINISH , REMARKS
UNITS mm		SCALE 5 : 1	COUNT	DESCRIPTION OF REVISIONS	
DESIGNED		CHECKED		DATE	
APPROVED : KI. AKIYAMA		12.06.26		DRAWING NO. EDC3-337110-01	
CHECED : HK. UMEHARA		12.06.26		PART NO. DF50A-8P-1H(51)	
DESIGNED : ST. SATO		12.06.26		CODE NO. CL665-1037-0-51	
DRAWN : ST. SATO		12.06.26		1/2	

Apr.1.2017 Copyright 2017 HIROSE ELECTRIC CO., LTD. All Rights Reserved.



<b>HRS</b>	DRAWING NO.	EDC3-337110-01
	PART NO.	DF50A-8P-1H(51)
	CODE NO.	CL665-1037-0-51
		$\triangle 2/2$