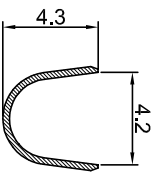


CONTACT ORIENTATION ON ROLL

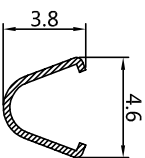
NOTES : (UNLESS OTHERWISE SPECIFIED)

1. MATERIAL :
 - 1.1. CONTACT BODY : COPPER ALLOY.
 - 1.2. OUTER SPRING : STAINLESS STEEL.
2. SPECIFICATIONS :
 - 2.1. CURRENT RATING : 23A MAX.
 - 2.2. TERMINATION TYPE : CRIMPING.
 - 2.3. WIRE RANGE : 14~12AWG.
 - 2.4. WIRE INSULATION DIA(MAX) : ϕ 4.3mm.
3. ROHS COMPLIANT.
4. ALL DIMENSIONS ARE FOR REFERENCE USE ONLY.

P/N	CONTACT PLATING(MATING AREA)
SP12A1T	TIN PLATING OVER NICKEL.
SP12A1F	GOLD FLASH PLATING OVER NICKEL.
SP12A1G10	10 μ "GOLD PLATING OVER NICKEL.
SP12A1G15	15 μ "GOLD PLATING OVER NICKEL.
SP12A1G30	30 μ "GOLD PLATING OVER NICKEL.

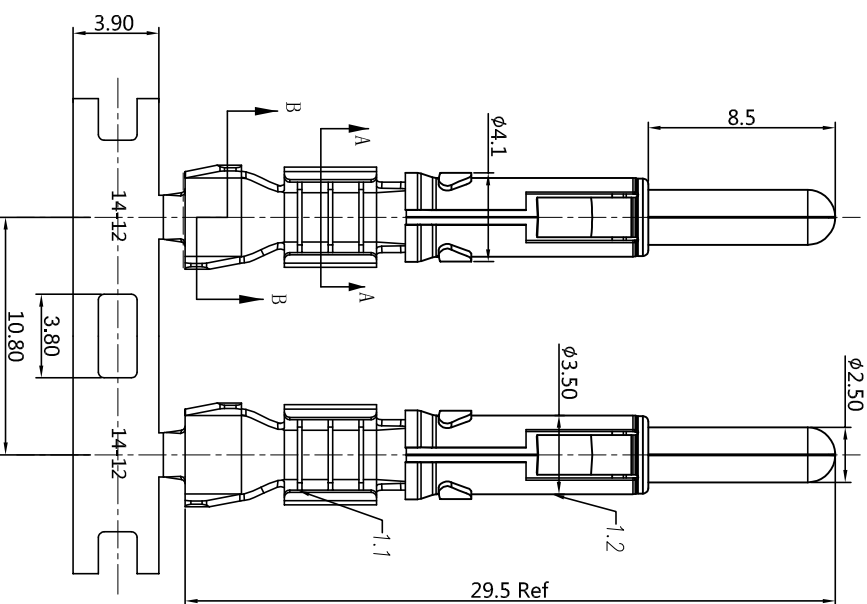


SECTION B-B



SECTION A-A

REVISIONS					
REV	ECO	DESCRIPTION	DATE	BY	APPR
B1	-	RELEASED DRAWING	JAN-18-2014	ARROW	TOMMY
B2	-	UPDATE DRAWING	NOV-09-2016	FLAN	TOMMY



QUANTITY	PART NUMBER	DESCRIPTION	ITEM

UNLESS OTHERWISE SPECIFIED TYPICAL DIMENSIONS ARE IN MILLIMETERS. 2) Tolerances are as follows: 1 PL, DEC 20, 30 Fractions, 3/164 3 PL, DEC 20, 30 Angles, 3/164 3) Note reference = Δ		SIGNATURES	DATE
DRAWN: FLN		NOV-09-2016	
CHECKED: TDD		NOV-09-2016	
ENGINEER: TOMMY			
APPROVAL: TOMMY		NOV-09-2016	
CUSTOMER: TOWMY			
MATERIAL SPECIFICATIONS:			
PROCESS SPECIFICATIONS:			
NEXT ASSY:			
THIS DRAWING IS SUPERSEDED BY THE LATEST REVISIONS. SPECIFICATIONS AND PERFORMANCE DATA ARE SUBJECT TO CHANGE WITHOUT NOTICE. THE MANUFACTURING CORPORATION NO RIGHTS OF REPRODUCTION ARE GRANTED. ALL MANUFACTURING VARIATIONS ARE ACCEPTED.		SIZE	SCALE
STAMPED, 14-12AWG, 2.5mm CONTACT		B	NONE
ECO-MATE PIN CONTACT		C-	
Sine Systems - www.amphenol-sine.com 44724 Morley Drive Clinton Township, MI 48036		SP12A1XX	
		SHEET	OF
		1	1

MATERIALS LIST

Amphenol

Sine Systems - www.amphenol-sine.com
44724 Morley Drive
Clinton Township, MI 48036

STAMPED, 14-12AWG, 2.5mm CONTACT

ECO-MATE PIN CONTACT