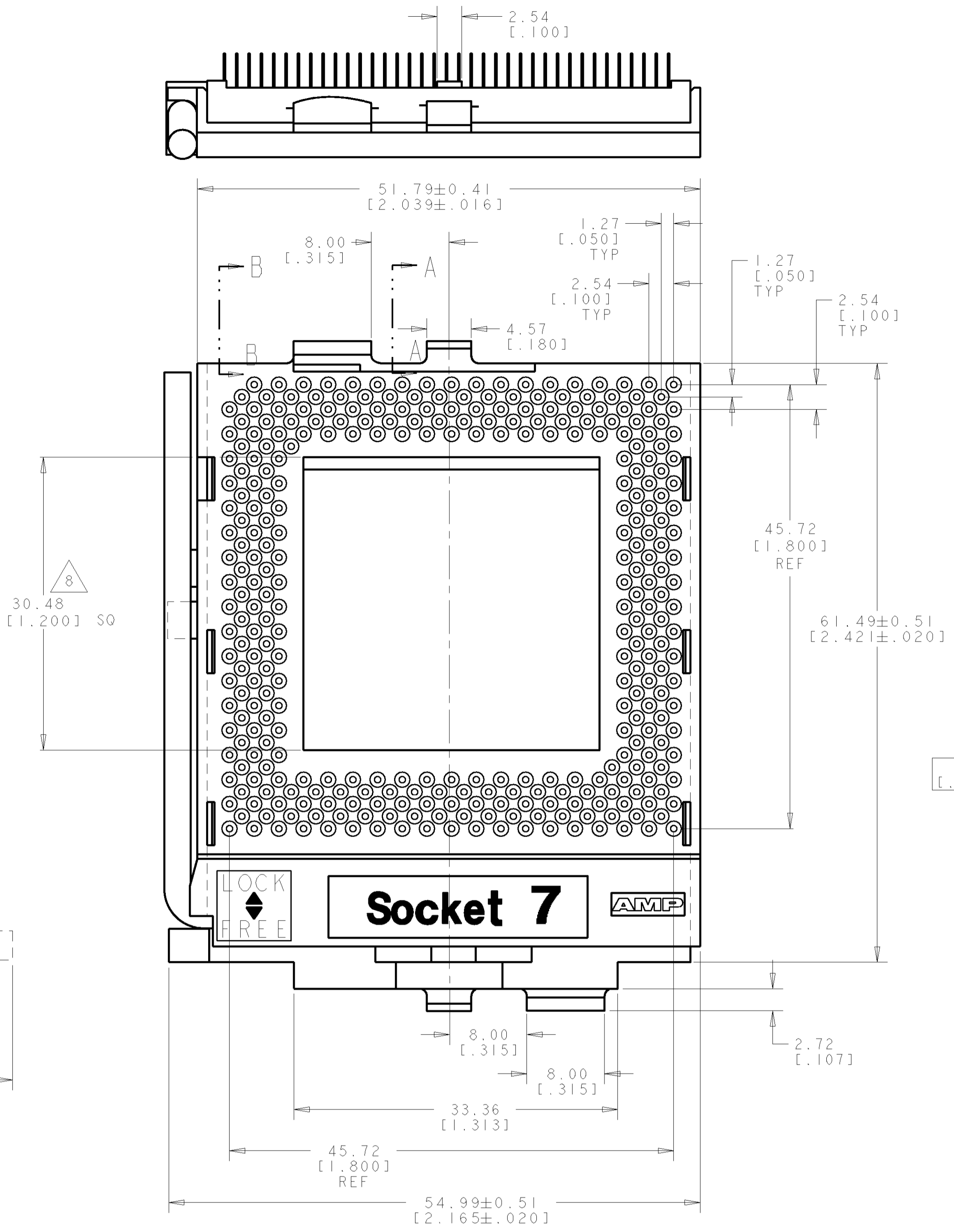
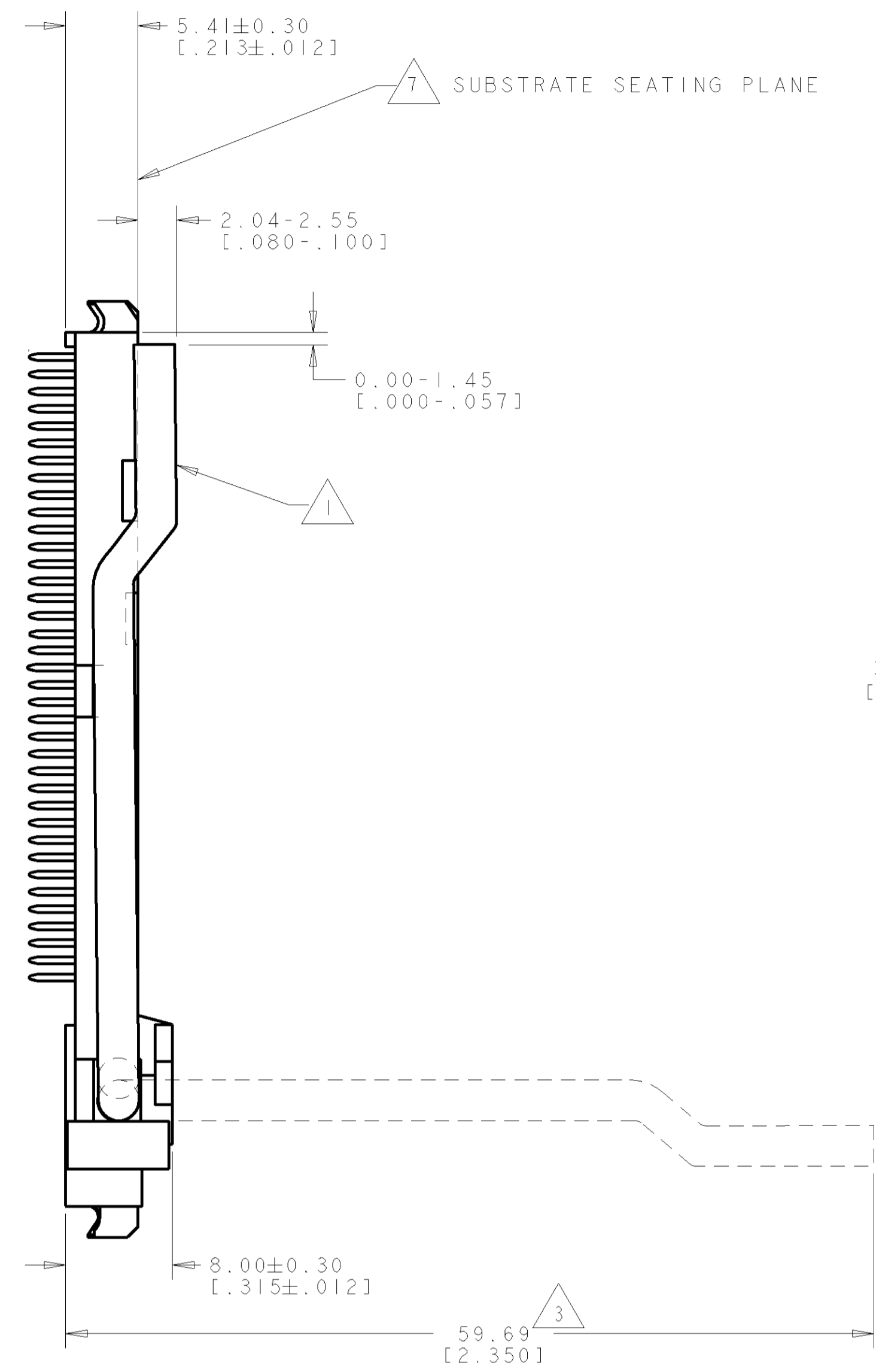
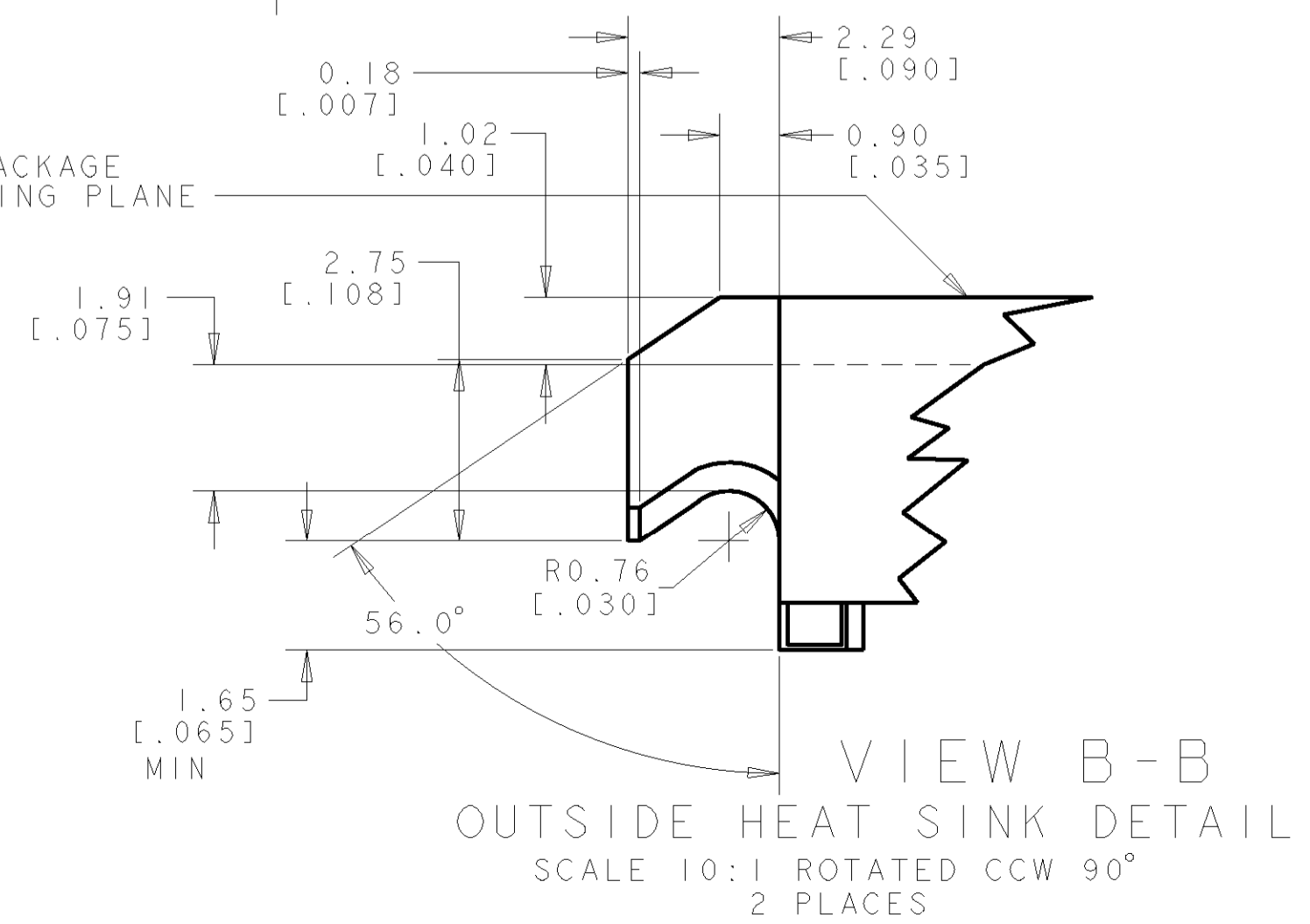
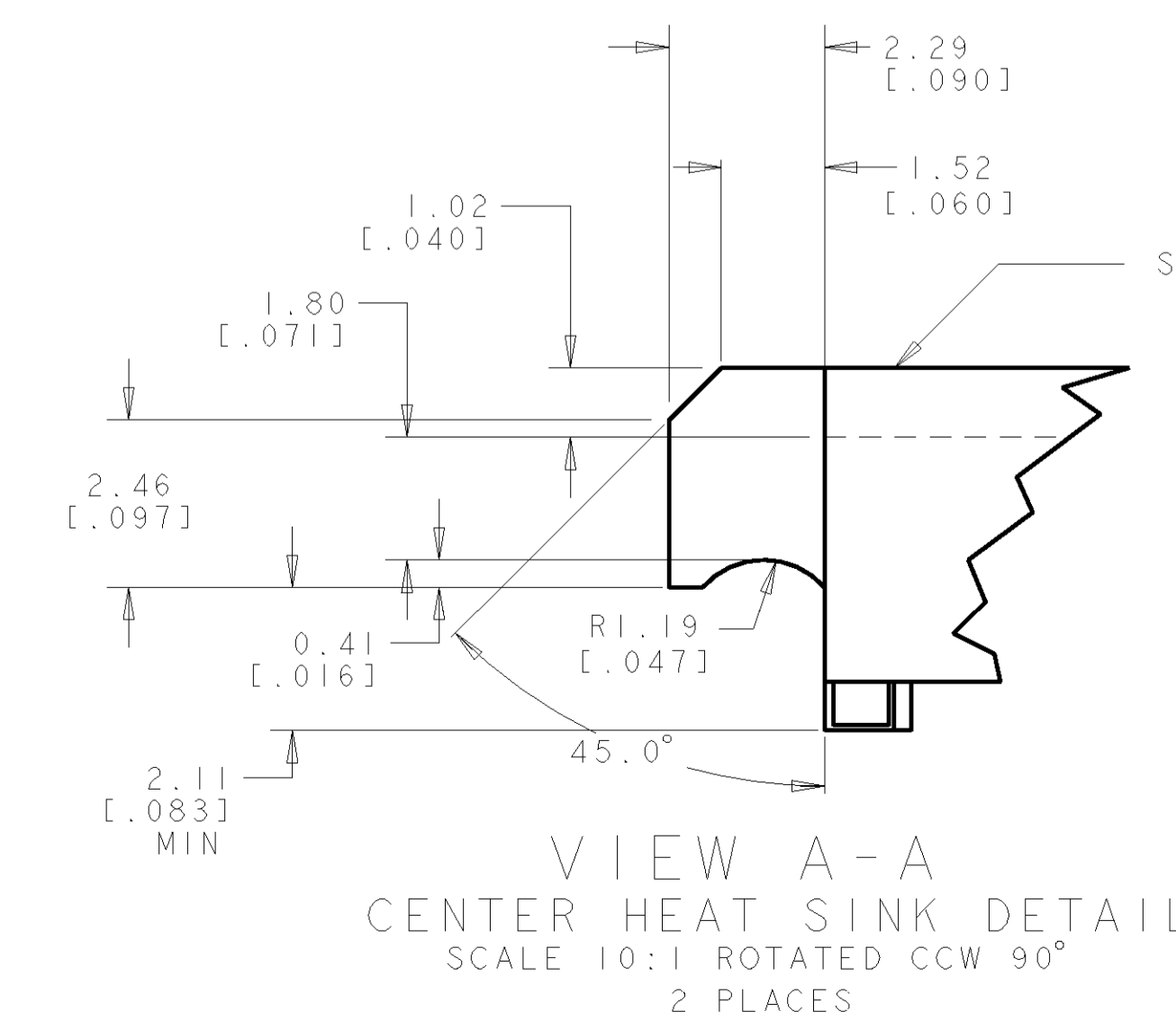
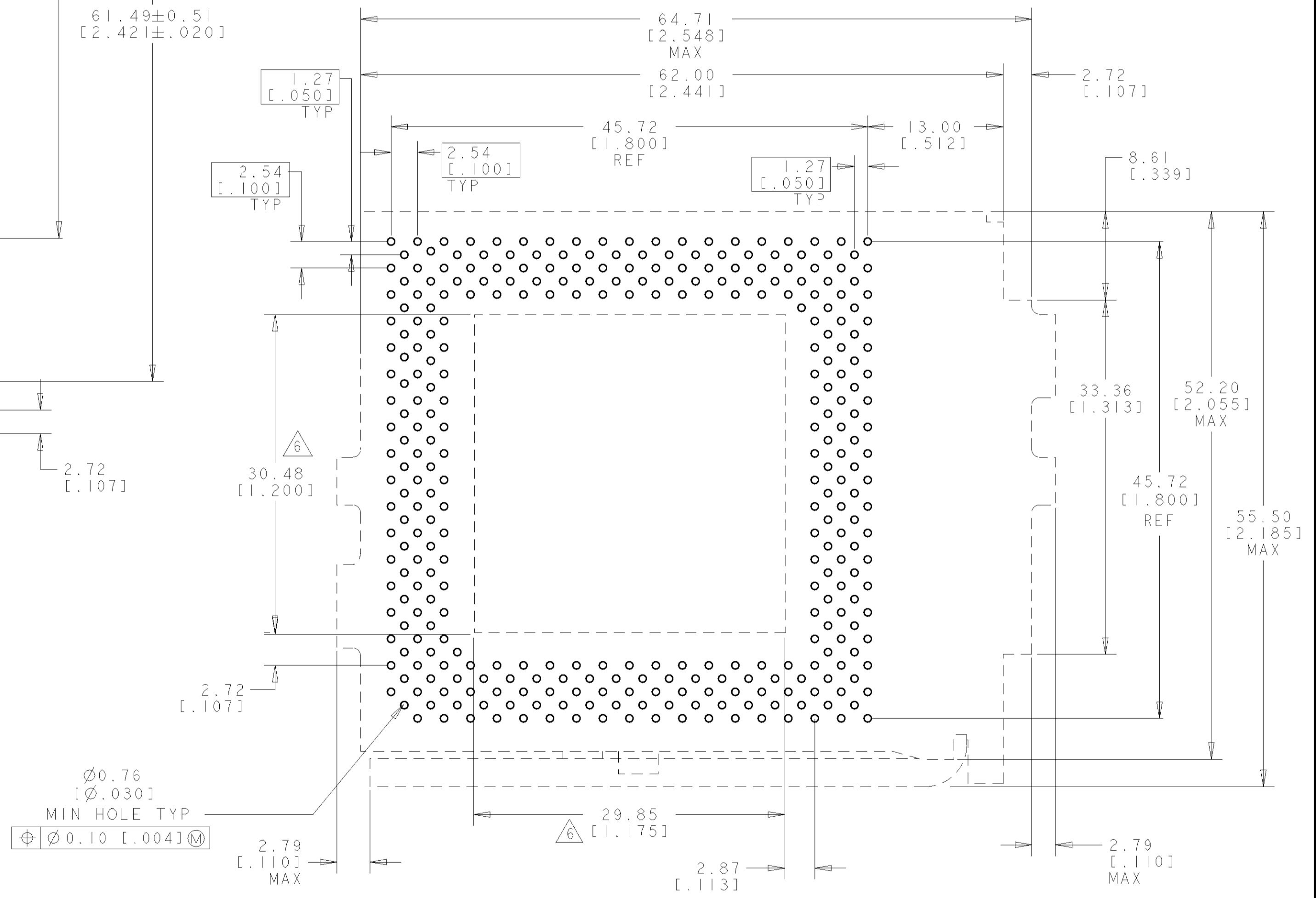


LOC	BY	DATE	DESCRIPTION	DATE	BY	APP'D
1	AMP	7-16-96	SOCKET ASSY, SINGLE LEVER ZIF, PGA, 19 X 19 GRID, LOW PROFILE, RIGHT HAND			
2	F	12AUG02	REVISED PER FP00-0027-02		LWY	LSF



- 1 HANDLE IS SHOWN IN THE 'ON' POSITION
- 2 SOCKET WILL ACCEPT ANY P.G.A. PACKAGE WITH A PIN $\varnothing 0.46 \pm 0.05$ [$\varnothing 0.018 \pm 0.002$] AND A LENGTH OF 2.54-3.30 [.100-.130] LOCATED ON TRUE POSITION OF 0.20 [.008] M
- 3 MAX DIMENSION INCLUDING HANDLE
- 4 MATERIAL; HOUSING AND COVER ARE THERMOPLASTIC. COLOR-NATURAL. CONTACTS ARE COPPER ALLOY. ACTUATOR IS STAINLESS STEEL.
- 5 FINISH; CONTACT AREA-0.00076 [.000030] MIN. THICK GOLD OVER 0.00127 [.000050] MIN. THICK NICKEL PLATE. SOLDER TAIL-0.00381 [.000150] MIN. THICK TIN-LEAD OVER 0.00127 [.000050] MIN. THICK NICKEL PLATE. CONTACT AREA SHALL BE FREE OF LUBRICANT.
- 6 DIMENSIONS INDICATE MIN. OPEN CENTER THROUGH SOCKET.
- 7 SEATING PLANE OF PGA PACKAGE IN SOCKET IS ON CERAMIC SURFACE OF PACKAGE.
- 8 DIMENSION INDICATES MIN. HOLE IN COVER OF SOCKET.



TRAY PACKAGED NUMBER OF SOCKETS PER SHIPPING BOX	DIM A	POSITION	PART NUMBER
90	2.79 [.110]	321	916716-4
90	2.79 [.110]	321	916716-3
90	2.36 [.093]	321	916716-2
90	2.03 [.080]	321	916716-1

DIMENSIONS: mm (INCHES)		TOLERANCES UNLESS OTHERWISE SPECIFIED:		DRAWN: R. TALLEY 7-16-96		CHK: A. HOLT 7-16-96		AMP MANUFACTURING (SINGAPORE) PTE. LTD.	
0 PLC	±	1 PLC	±	NAME	SOCKET ASSY, SINGLE LEVER ZIF, PGA, 19 X 19 GRID, LOW PROFILE, RIGHT HAND				
2 PLC	±	3 PLC	±	SIZE	A1	CAGE CODE	00779	DRAWING NO	916716
4 PLC	±	ANGLES	±	SCALE	3:1	SHEET	1	OF	1
MATERIAL	47	FINISH	57	REV	F	CUSTOMER DRAWING			