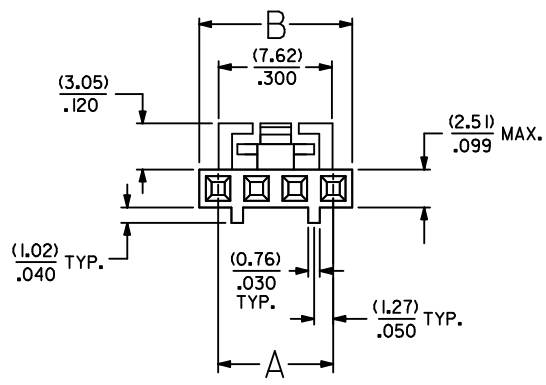
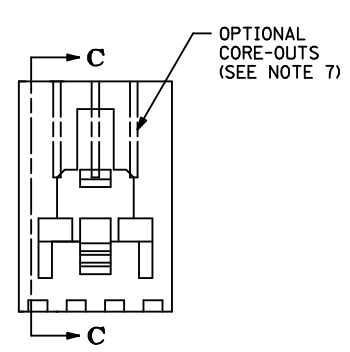
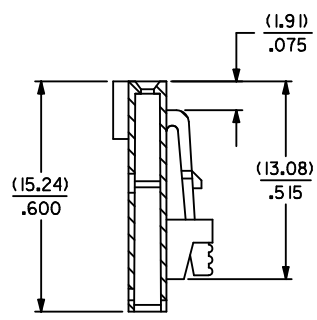
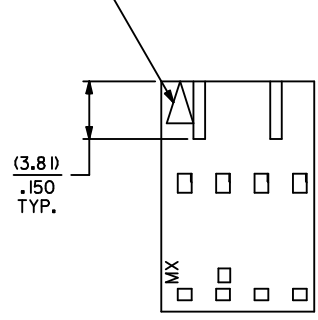


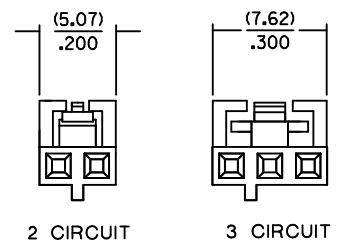
- NOTES:
1. MATERIAL GLASS FILLED POLYESTER; UL94V-0; COLOR: BLACK.
 2. HOUSING MAY BE USED WITH TERMINAL NUMBERS 70058 AND 71851.
 3. REFER TO CHART FOR AVAILABLE CIRCUIT SIZES.
 4. HOUSINGS TO BE USED WITH (0.64)/.025 SQUARE OR ROUND PINS.
 5. HOUSING ARE STACKABLE END-TO-END ON (2.54)/.100 CENTERS.
 6. REFER TO MOLEX PRODUCT SPECIFICATION(S): PS-70400, PS-70058, PS-71851, PS-70021, AND MOLEX APPLICATION SPECIFICATION SDES-70400.
 7. PARTS MAY OR MAY NOT BE SUPPLIED WITH EXTERIOR CORE-OUT CONFIGURATION. REFER TO MOLEX DRAWING NUMBER SD-70066-**** FOR OPTIONAL HOUSING DETAILS.
 8. DIMENSIONS ARE SHOWN FOR REFERENCE ONLY.
 9. PACKAGE PER PK-70066-100.



CIRCUIT NO. 1 IDENTIFICATION



SECTION C-C



LATCH AND POLARIZATION RIB LOCATION

4 THROUGH 25 CIRCUIT HOUSINGS ARE AS SHOWN IN MAIN BODY OF DRAWING

OPTION "G"

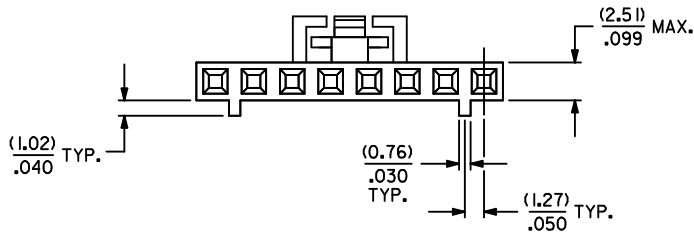
| CKT. SIZE | EDP. NO. | ENG. NO. | A | B MAX. |
|-----------|------------|------------|---------------|---------------|
| 2 | 50-57-9402 | 70066-0176 | (2.54) .100 | (5.05) .199 |
| 3 | 50-57-9403 | 70066-0177 | (5.08) .200 | (7.59) .299 |
| 4 | 50-57-9404 | 70066-0178 | (7.62) .300 | (10.13) .399 |
| 5 | 50-57-9405 | 70066-0179 | (10.16) .400 | (12.67) .499 |
| 6 | 50-57-9406 | 70066-0180 | (12.70) .500 | (15.21) .599 |
| 7 | 50-57-9407 | 70066-0181 | (15.24) .600 | (17.75) .699 |
| 8 | 50-57-9408 | 70066-0182 | (17.78) .700 | (20.29) .799 |
| 9 | 50-57-9409 | 70066-0183 | (20.32) .800 | (22.83) .899 |
| 10 | 50-57-9410 | 70066-0184 | (22.86) .900 | (25.37) .999 |
| 11 | 50-57-9411 | 70066-0185 | (25.40) 1.000 | (27.91) 1.099 |
| 12 | 50-57-9412 | 70066-0186 | (27.94) 1.100 | (30.45) 1.199 |
| 13 | 50-57-9413 | 70066-0187 | (30.48) 1.200 | (32.99) 1.299 |
| 14 | 50-57-9414 | 70066-0188 | (33.02) 1.300 | (35.53) 1.399 |
| 15 | 50-57-9415 | 70066-0189 | (35.56) 1.400 | (38.07) 1.499 |
| 16 | 50-57-9416 | 70066-0190 | (38.10) 1.500 | (40.61) 1.599 |
| 17 | 50-57-9417 | 70066-0191 | (40.64) 1.600 | (43.15) 1.699 |
| 18 | 50-57-9418 | 70066-0192 | (43.18) 1.700 | (45.69) 1.799 |
| 19 | 50-57-9419 | 70066-0193 | (45.72) 1.800 | (48.23) 1.899 |
| 20 | 50-57-9420 | 70066-0194 | (48.26) 1.900 | (50.77) 1.999 |
| 21 | 50-57-9421 | 70066-0195 | (50.80) 2.000 | (53.31) 2.099 |
| 22 | 50-57-9422 | 70066-0196 | (53.34) 2.100 | (55.85) 2.199 |
| 23 | 50-57-9423 | 70066-0197 | (55.88) 2.200 | (58.39) 2.299 |
| 24 | 50-57-9424 | 70066-0198 | (58.42) 2.300 | (60.93) 2.399 |
| 25 | 50-57-9425 | 70066-0199 | (60.96) 2.400 | (63.47) 2.499 |

| | | | | | | | | | |
|---------------------------------------------------------------------------------------------------------------------|--------------------------------------|-------------------------------------------------------------------------------------------------|------------------------------------------------------------------------|-------------------------------------------------------------------------------------------------------------------------------|--|--------------------|----------------------|------------------------------------|---------------------|
| ADD PS-70400 EC NO: UCP2012-1540 DRW:DMORGAN 2011/11/11 CHKD:MIBARRA 2011/11/11 APPR:SMILLER 2012/02/13 | QUALITY SYMBOLS ∇=0 ∇=0 ∇=0 | GENERAL TOLERANCES (UNLESS SPECIFIED) | | DIMENSION STYLE MM/IN | | SCALE 4:1 | DESIGN UNITS INCH | THIRD ANGLE PROJECTION | |
| | | 4 PLACES ± --- ± --- 3 PLACES ± --- ± .010 2 PLACES ± 0.25 ± .015 1 PLACE ± 0.38 ± --- | INCH DATE 2011/11/11 DATE 1986/03/28 DATE 2012/02/13 | TITLE HOUSING,CONNECTOR (2.54)/.100 GRID OPT. G STACKABLE SINGLE ROW | | MOLEX INCORPORATED | | DOCUMENT NO. SD-70066-0176-0199 | SHEET NO. 1 OF 1 |
| DRAFT WHERE APPLICABLE MUST REMAIN WITHIN DIMENSIONS | | SEE CHART | | THIS DRAWING CONTAINS INFORMATION THAT IS PROPRIETARY TO MOLEX INCORPORATED AND SHOULD NOT BE USED WITHOUT WRITTEN PERMISSION | | | | | |

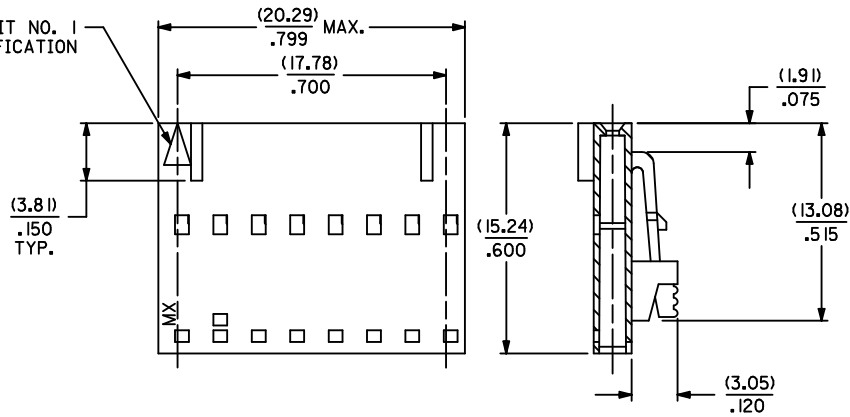
NOTES:

1. MATERIAL GLASS FILLED POLYESTER, UL94V-0; COLOR: BLACK.
2. HOUSING MAY BE USED WITH TERMINAL NUMBERS 70058, 71851, AND 70021.
3. REFER TO MOLEX PRODUCT SPECIFICATION(S): PS-70400, PS-70058, PS-71851, PS-70021, AND MOLEX APPLICATION SPECIFICATION SDES-70400.
4. PARTS MAY OR MAY NOT BE SUPPLIED WITH EXTERIOR CORE-OUT CONFIGURATION. REFER TO MOLEX DRAWING NUMBER SD-70066-**** FOR OPTIONAL HOUSING DETAILS.
5. PACKAGE PER PK-70066-100.

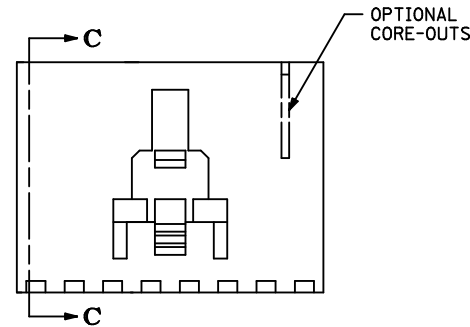
OPTION "G"



CIRCUIT NO. 1 IDENTIFICATION



SECTION C-C



| | | | | | | | | |
|----------------------------------------------------------------------------------------------------------------------|--------------------------------------|------------------------------------------------------|--|-----------------|-------------------------------------------------------------------------------------------------------------------------------|------------------|------------------------|--|
| ADD PS-70400 EC NO: UCP2012-1540 DRWN:DMORGAN 2011/11/14 CHKD:MIBARRA 2011/11/14 APPR:SMILLER 2012/02/13 | QUALITY SYMBOLS ▽=0 ▽=0 ▽=0 | GENERAL TOLERANCES (UNLESS SPECIFIED) | | DIMENSION STYLE | SCALE | DESIGN UNITS | THIRD ANGLE PROJECTION | |
| | | | | MM/IN | 4:1 | INCH | | |
| | | | | DRAWN BY DATE | TITLE | | | |
| | | | | CHECKED BY DATE | INDIVIDUAL 8 CIRCUIT SALES DRAWING FOR SPECIFIC CUSTOMER | | | |
| | | APPROVED BY DATE | | MATERIAL NO. | | DOCUMENT NO. | | |
| | | SMILLER 2012/02/13 | | 50-57-9408 | | SD-70066-0182 | | |
| | | DRAFT WHERE APPLICABLE MUST REMAIN WITHIN DIMENSIONS | | SIZE | THIS DRAWING CONTAINS INFORMATION THAT IS PROPRIETARY TO MOLEX INCORPORATED AND SHOULD NOT BE USED WITHOUT WRITTEN PERMISSION | | | |
| | | | | C | | | | |
| | | | | | | SHEET NO. 1 OF 1 | | |