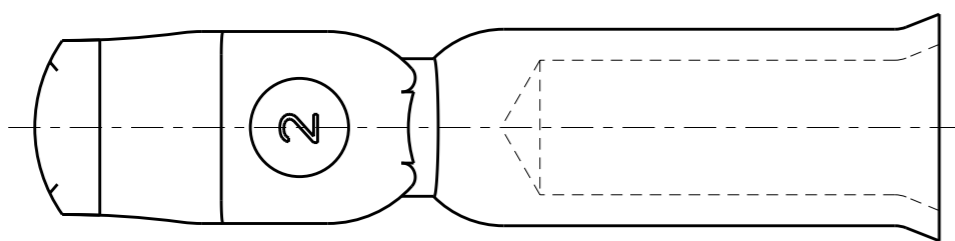
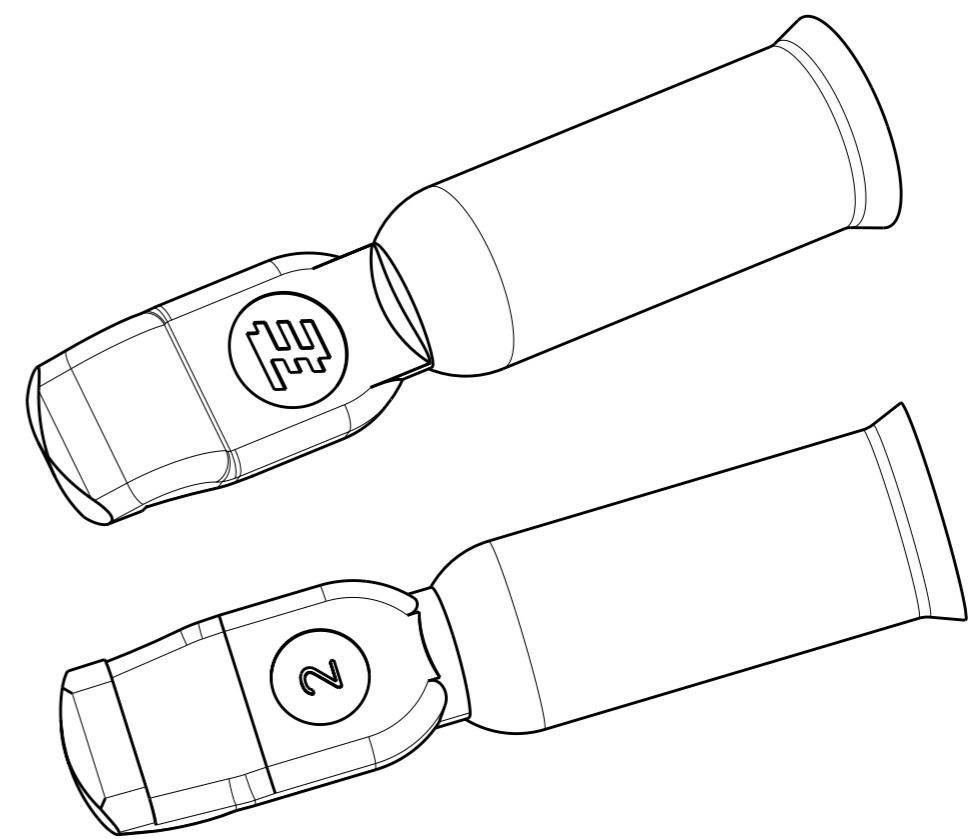
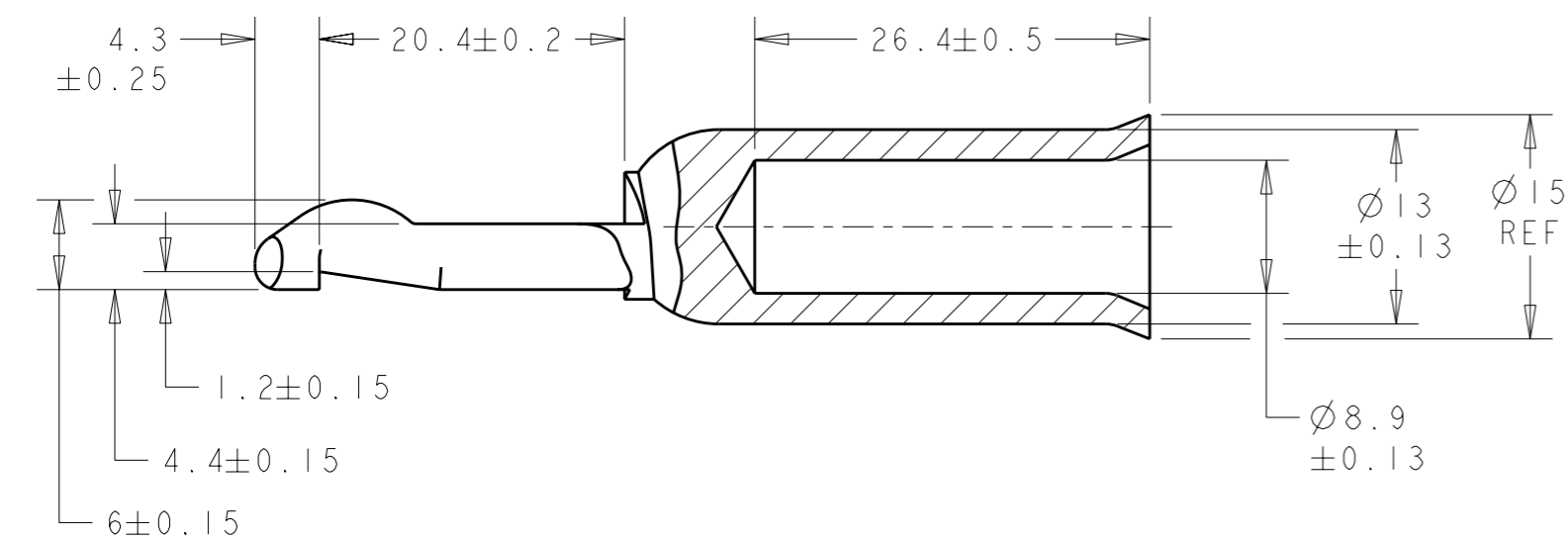
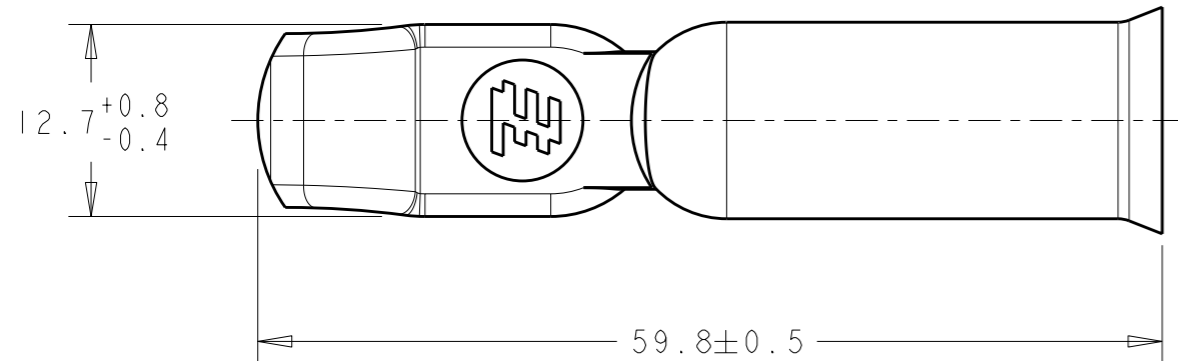


THIS DRAWING IS UNPUBLISHED. RELEASED FOR PUBLICATION 20  
 © COPYRIGHT 20 BY TYCO ELECTRONICS CORPORATION. ALL RIGHTS RESERVED.

LOC	DIST	REVISIONS			
P	LTR	DESCRIPTION	DATE	DWN	APVD
CM	0	A	REVISED PER ECR 10-006756	01APR10	JR SM



- 1. MATERIAL: COPPER ALLOY
- 2. FINISH: PLATED SILVER

**METRIC**

**THIS PRODUCT HAS PASSED VERIFICATION AND AGENCY APPROVALS TESTING AND IS COMPONENT RECOGNIZED PER UL 1977 AND CSA 22.2. TYCO ELECTRONICS PRODUCT QUALIFICATION TESTING IS NOT YET COMPLETED.**

<small>THIS DRAWING IS A CONTROLLED DOCUMENT FOR TYCO ELECTRONICS CORPORATION. IT IS SUBJECT TO CHANGE AND THE CONTROLLING ENGINEERING ORGANIZATION SHOULD BE CONTACTED FOR THE LATEST REVISION.</small>		DWN	B.D.Yohn	14MAR2002	 Tyco Electronics Harrisburg, PA 17105-3608	NAME		CONTACT, AMP POWER SERIES 175 / 180, 2 AWG	
DIMENSIONS:		CHK	W.H.Bernhart	14MAR2002		PRODUCT SPEC		-	
mm		APVD	W.H.Bernhart	14MAR2002		APPLICATION SPEC		-	
		MATERIAL		FINISH		SIZE	CAGE CODE	DRAWING NO	RESTRICTED TO
0 PLC ±- 1 PLC ±0.3 2 PLC ±0.13 3 PLC ±0.050 4 PLC ±- ANGLES ±-		TOLERANCES UNLESS OTHERWISE SPECIFIED:		WEIGHT		A3	00779	C-1604039	-
CUSTOMER DRAWING		SCALE		SHEET		OF		REV	