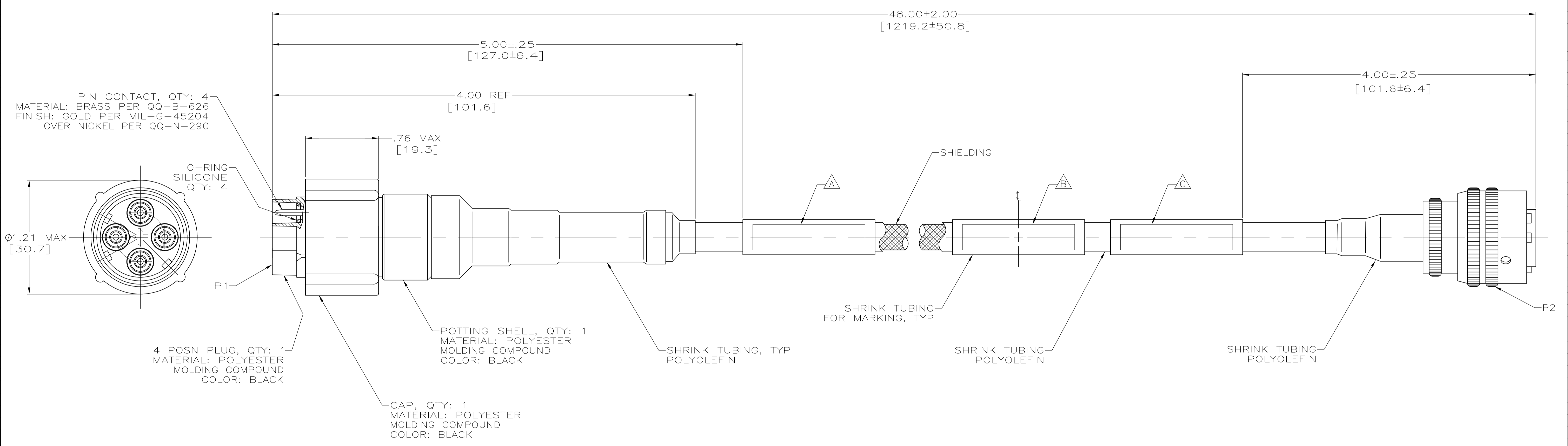
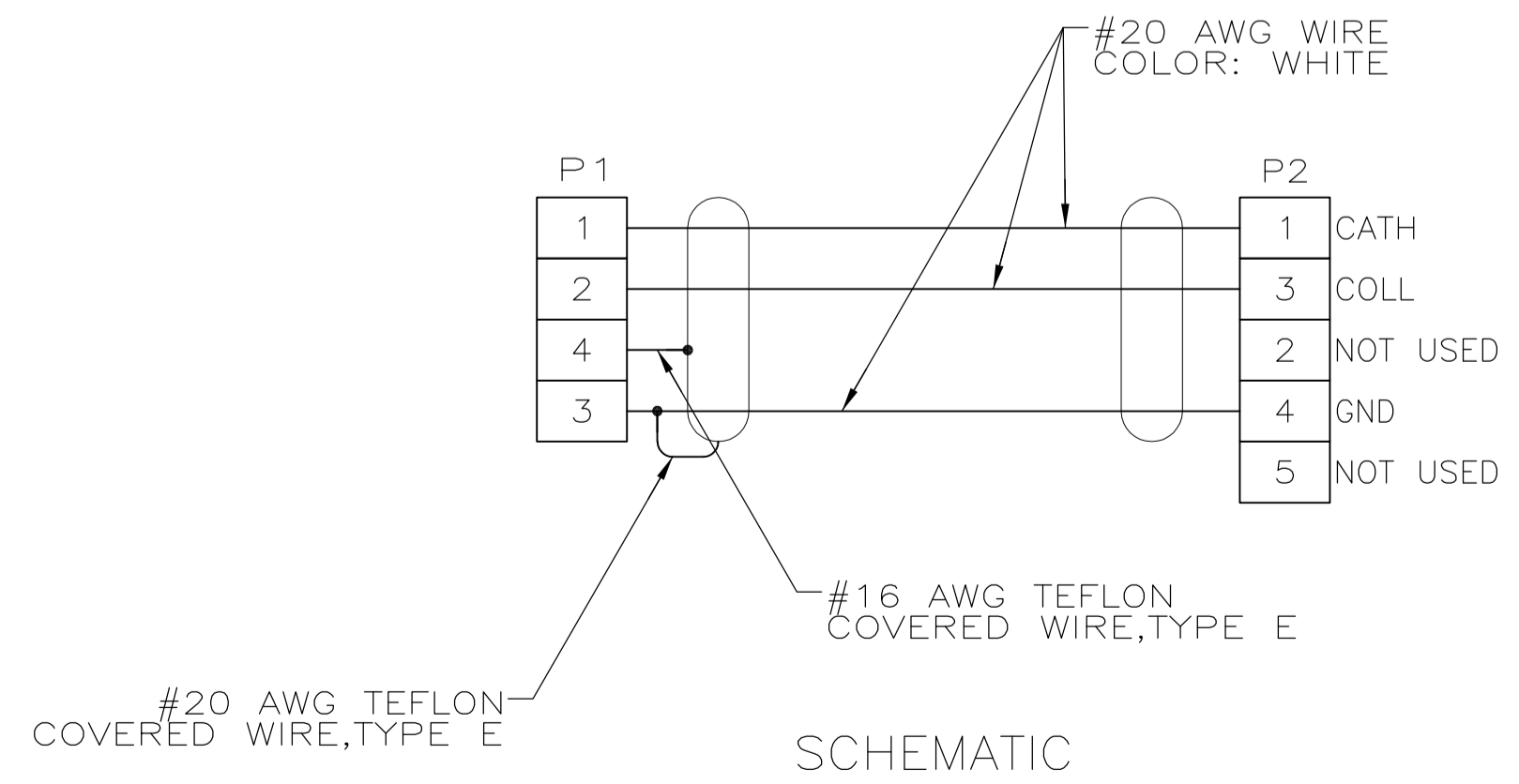


| LOC |         | DIST    |               | REVISIONS   |      |     |      |
|-----|---------|---------|---------------|-------------|------|-----|------|
| REV | DATE    | BY      | CHK           | DESCRIPTION | DATE | OWN | APVD |
| D   | 14SEP07 | REV PER | CE0-07-019089 |             |      | PY  | DE   |



- SPECIAL MARKING PER MIL-STD-130.
- OPERATING VOLTAGE: 5 KVDC.



|                            |   |  |          |
|----------------------------|---|--|----------|
| P2 MATES WITH<br>J2 ON UUT | HV CABLE ASSEMBLY<br>18323ASSY989C008H02<br>SER NO<br>MFR AMP 00779 | P1 MATES WITH<br>DR TWT LOAD (J7) ON TEST<br>INTERFACE PANEL | 447324-1 |
|                            |   |  | PART NO. |
| SPECIAL MARKING            | SPECIAL MARKING   | SPECIAL MARKING  |          |

|  |   |                              |   |   |
|--|---|------------------------------|---|---|
| THIS DRAWING IS A CONTROLLED DOCUMENT. |   | DWN<br>T. SHUEY<br>7-11-90   | Tyco Electronics Corporation<br>Tyco Electronics Corporation<br>Harrisburg, PA 17105-3608 |   |
| DIMENSIONS:<br>INCHES                  | TOLERANCES UNLESS<br>OTHERWISE SPECIFIED: | CHK<br>C. SHELLEY<br>7-11-90 | APVD<br>C. SHELLEY<br>7-11-90   | NAME<br>CABLE ASSEMBLY, PLUG<br>4 POSN, DOUBLE END, LGH |
| 0 PLC ± -                              | 1 PLC ± -                                 | 2 PLC ± -                    | 3 PLC ± -   | 4 PLC ± -   |
| ANGLES ± -                             |   |                              |   |   |
| MATERIAL                               | FINISH                                    | WEIGHT                       | SIZE<br>A1  | CAGE CODE<br>00779                                      |
|  |   |                              | DRAWING NO<br>447324  | RESTRICTED TO   |
| CUSTOMER DRAWING                       |   |                              | SCALE<br>2:1  | SHEET<br>1 OF 1   |