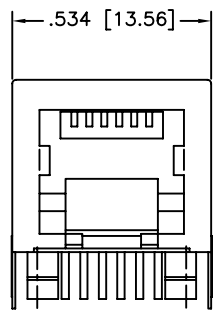
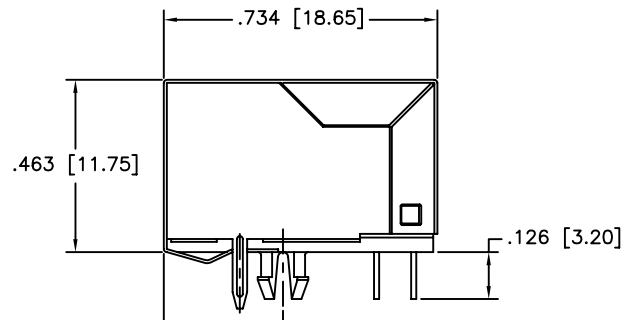


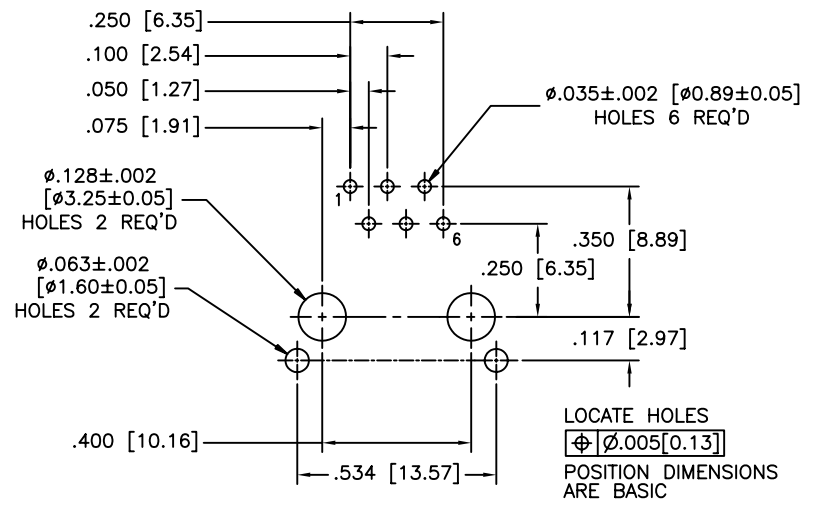
REVISIONS				
SYM	ZONE	ECN, ERN NO.	DATE	APPRD.
A		PROPOSAL	05/12/22	LCHAN



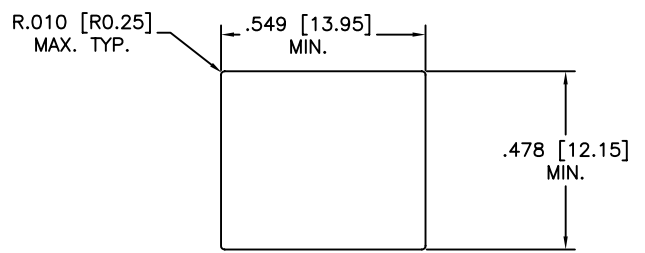
FRONT VIEW



SIDE VIEW



RECOMMENDED P.C.B. LAYOUT  
(COMPONENT SIDE OF BOARD)



RECOMMENDED PANEL CUTOUT

**MATERIALS:**

PLASTIC HOUSING: HIGH TEMPERATURE THERMOPLASTIC  
FLAMMABILITY RATING UL94V-0

**CONTACTS:**

PHOSPHOR BRONZE  
PLATING: REFER PART NUMBER FOR GOLD  
THICKNESS ON MATING SURFACES.  
50 μ" [1.27 MICRONS]  
MIN. NICKEL UNDERPLATE.  
100 μ" [2.54 MICRONS]  
MIN. MATTE TIN OR GOLD FLASH ON CONTACT TAILS.

**SHIELD:**

COPPER ALLOY  
PLATING: NICKEL WITH PURE-TIN DIPPED PCB TAIL.

PART NUMBER: RJE05-166-1X10

- GOLD PLATING**
- 1 = 6 μINCH
  - 2 = 15 μINCH
  - 3 = 30 μINCH
  - 4 = 50 μINCH

THIS DOCUMENT CONTAINS PROPRIETARY INFORMATION AND SUCH INFORMATION MAY NOT BE DISCLOSED TO OTHERS FOR ANY PURPOSE OR USED FOR MANUFACTURING PURPOSES WITHOUT WRITTEN PERMISSION FROM AMPHENOL CANADA CORP.

DRAWN <i>Chigow</i>	DATE 05/12/22	<b>Amphenol Canada Corp.</b>		
DESIGNED				
CHECKED <i>PAULW</i>	DATE 05/12/22	TITLE RJE05 SERIES MODULAR JACK, 6 POSITION, 6 CONTACTS, SHIELDED, ULTRA LOW PROFILE-RoHS COMPLIANT		
I. E. APPRD.		DWG	DRAWING NO.	REV.
Q. A. APPRD.			P-RJE05-166-1X10	A
DWG. APPRD.		DIMENSIONS ARE IN		
ENG. REL. NO.		mm	CODE ID. NO.	03554
REF.		SCALE	WT.	SURF.
				SHEET 1 OF 1