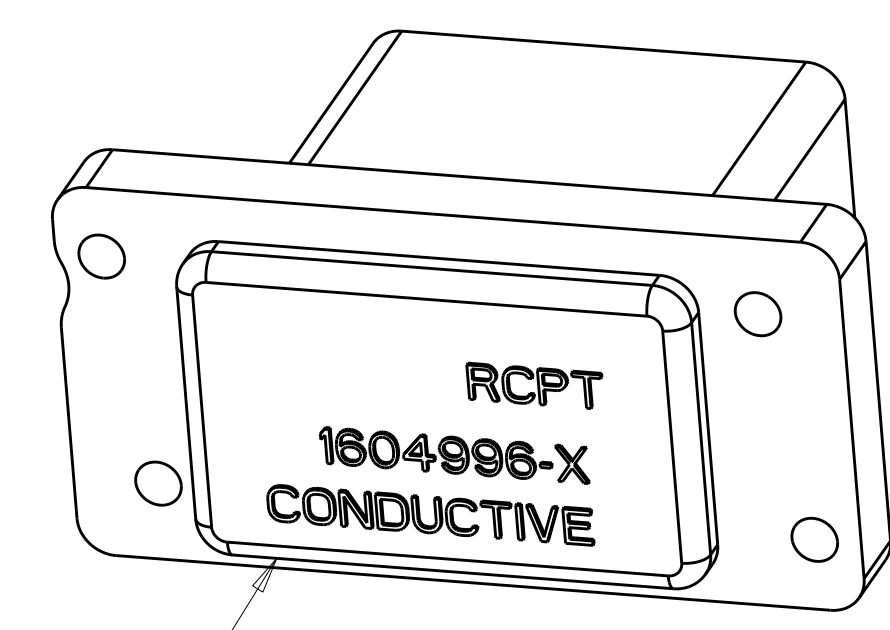
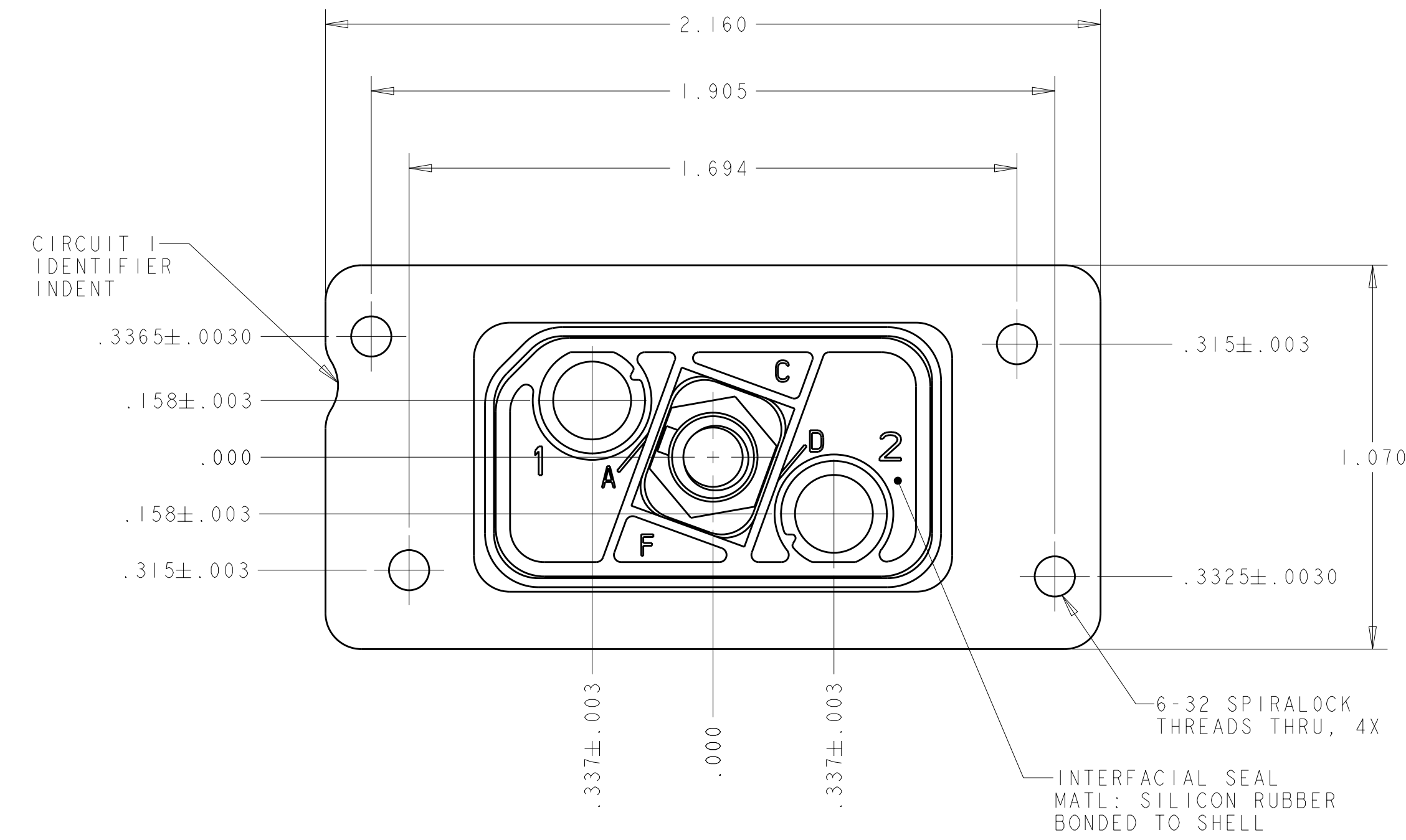


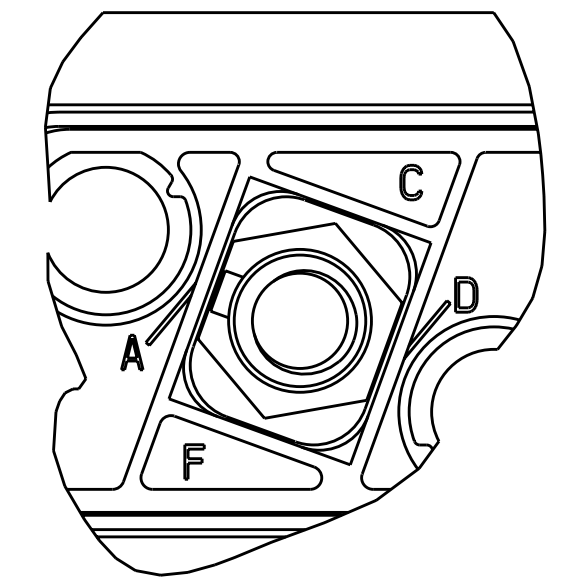
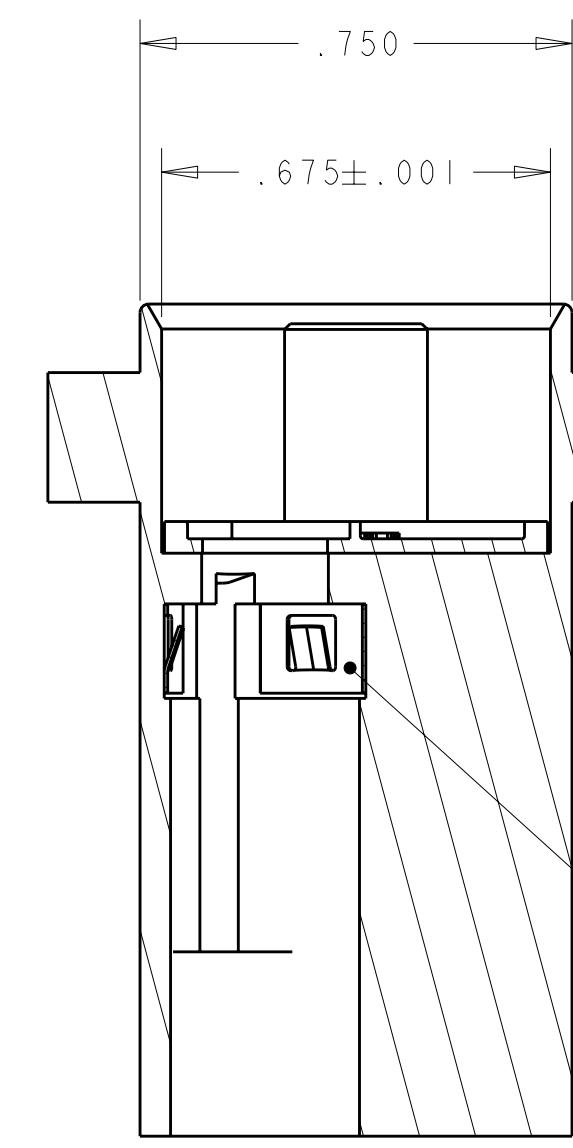
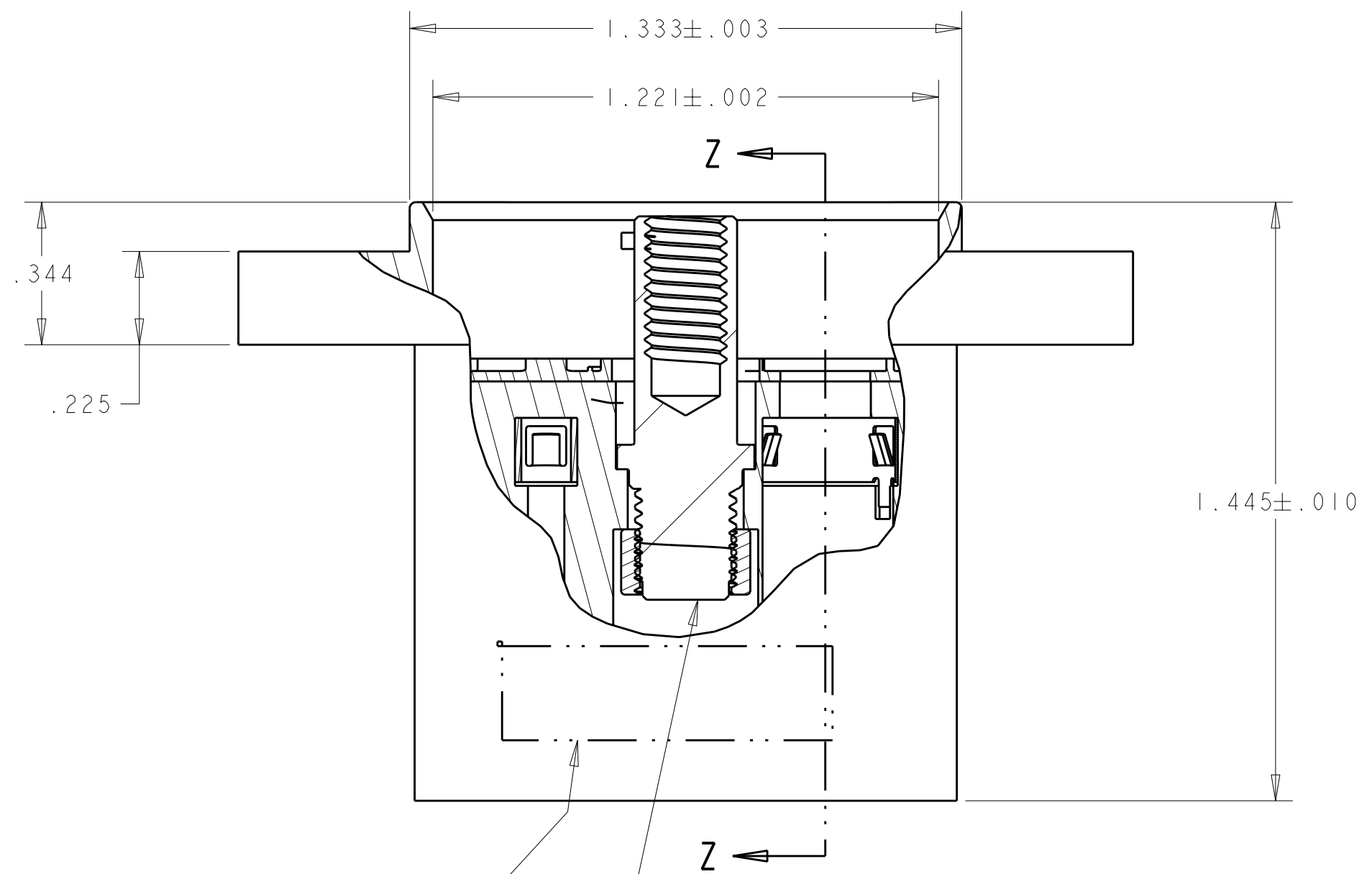
REVISONS		DATE	DWN	APVD
D	REV PER ECO 12-008267	6-1-12	CT	DM



⚠ JACKPOST-RETENTION NUT KIT IS UNASSEMBLED TO CONNECTOR ASSY. KIT IS PACKAGED IN SEALED BAG.

ESD DUST COVER; PART NUMBER 1604996-2 INCLUDED WITH ASSEMBLIES

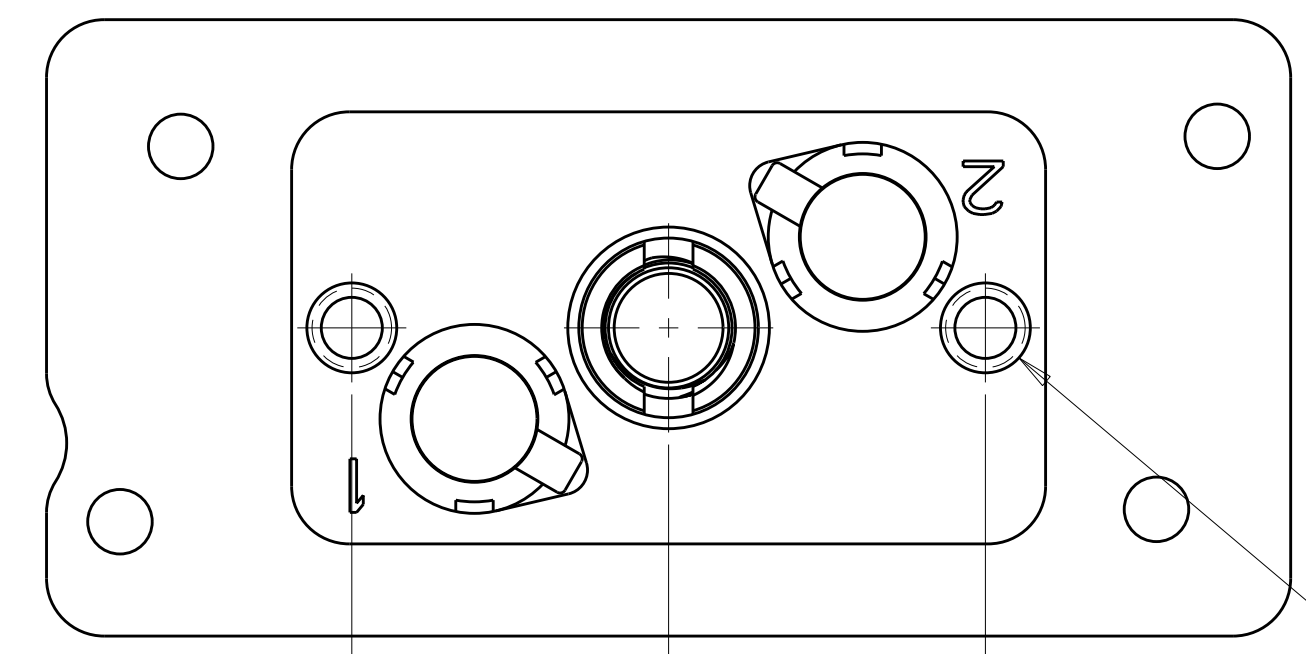
SHOWN WITH DUST COVER



MARKING ON INTERFACIAL SEAL WILL ONLY SHOW A, C, D AND F (CODE A SHOWN FOR REFERENCE)

SECTION Z-Z

TE LOGO, DATE CODE AND EITHER CUSTOMER OR TE PART NUMBER (PER TABLE) MARKED APPROX AS SHOWN ON NEAR OR FAR SIDE



RECOMMENDED CONTACT WITH WIRE SEAL	CUSTOMER PART NUMBER	SHELL FINISH	DESCRIPTION	PART NO.
1445692-4	BACC65BD2N	ELECTROLESS NICKEL	WITH JACKPOST-RETENTION NUT KIT (FLAT PLZN) (NOT INSTALLED) INCLUDES DUST COVER	1604897-8
1445692-3	HWI20822-AK2A	ELECTROLESS NICKEL	JACKPOST ASSEMBLED PLZN CODE A	1604897-7
1445692-4	BACC65BD2NA	ELECTROLESS NICKEL	JACKPOST ASSEMBLED PLZN CODE A	1604897-6
1445692-3	---	ELECTROLESS NICKEL	WITH JACKPOST-RETENTION NUT KIT (FLAT PLZN) (NOT INSTALLED) INCLUDES DUST COVER	1604897-5
1445692-4	BACC65BD2A	BLACK ANODIZED	WITH JACKPOST-RETENTION NUT KIT (FLAT PLZN) (NOT INSTALLED) INCLUDES DUST COVER	1604897-4
1445692-2	---	---	WITH JACKPOST-RETENTION NUT KIT (FLAT PLZN) (NOT INSTALLED) INCLUDES DUST COVER	1604897-2

SUPERSEDED BY 1604897-5

THIS DRAWING IS A CONTROLLED DOCUMENT.		DWN: BJOHN 06JUN03	TE Connectivity
DIMENSIONS: INCHES		CHK: W.H.BERNHART 16MAR04	
TOLERANCES UNLESS OTHERWISE SPECIFIED:		APVD: W.H.BERNHART 16MAR04	NAME: ASSEMBLY, RECEPTACLE, QUADRAX, PANEL MOUNT, RR/RR, 2 POSN
9 PLC ± 3 PLC ± 5 PLC ±.005 4 PLC ± ANGLES ± FINISH SEE CALLOUTS	± ± ±.005 ± ± ±	PRODUCT SPEC APPLICATION SPEC WEIGHT CUSTOMER DRAWING	SIZE: CAGE CODE DRAWING NO: A100779C=1604897 RESTRICTED TO:
MATERIAL SEE CALLOUTS		SCALE: 3:1	SHEET 1 OF 1 REV D