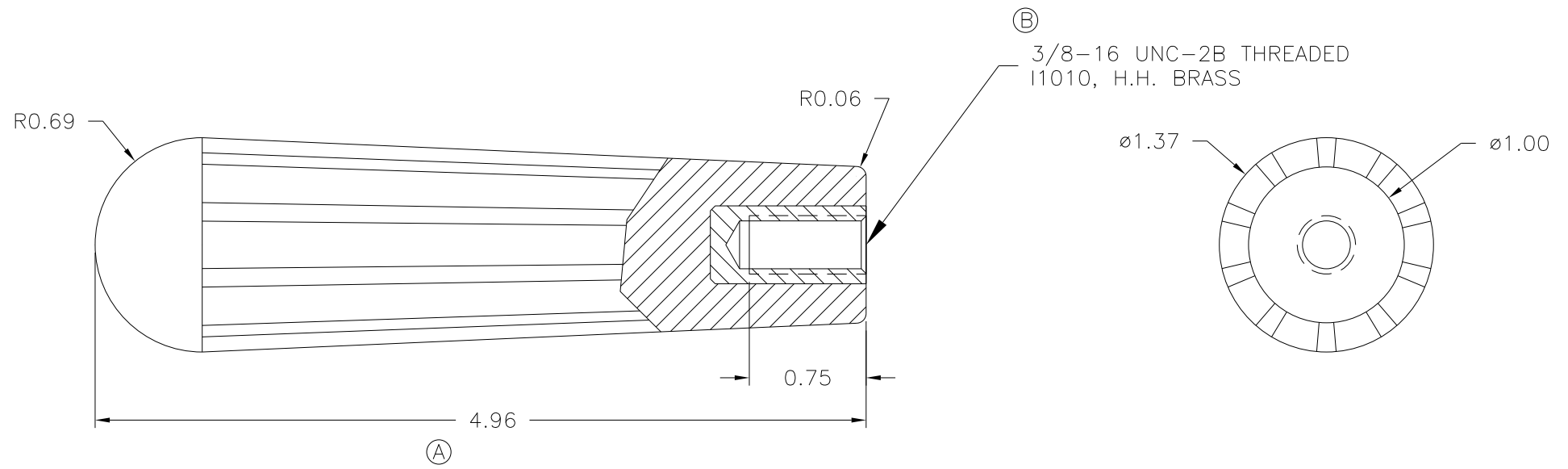


PART NAME: HANDLE SCALE: 1:1 DATE: 4/27/87 DRN. BY: HD

THIS DRAWING IS THE PROPERTY OF DAVIES MOLDING COMPANY, IS SUBMITTED SOLELY AS A DESIGN OR ENGINEERING PROJECT. WE ACCEPT NO RESPONSIBILITY WHATSOEVER FOR THE PRACTICAL APPLICATION OF THE PIECES MADE TO THIS DESIGN.



P/N	0730-G
M ^{NO}	5682
CAVITY	0698
PLUNGER	0730
PIN	698+698-11
PIN BAR	M-698
INSERT	I1010



MATERIAL: #4311 PLENCO PHENOLIC (B41)
 COLOR: BLACK

TOLERANCES: UNLESS OTHERWISE SPECIFIED	DO NOT SCALE DRAWING	-	RE-DID REDRAW	TL	12/3/99
		B	WAS 3/8-18 (DWG CORRECTED)	HD	12/9/97
DECIMALS: X.XXX ± .005 X.XX ± .015	MM: X.XX ± 0.15MM X.X ± 0.4MM	A	WAS 5.06	HD	12/3/96
		-	CAD REDRAW	HD	8/15/94
FRACTIONS ± 1/64	ANG. ± 1°	CHANGES			

