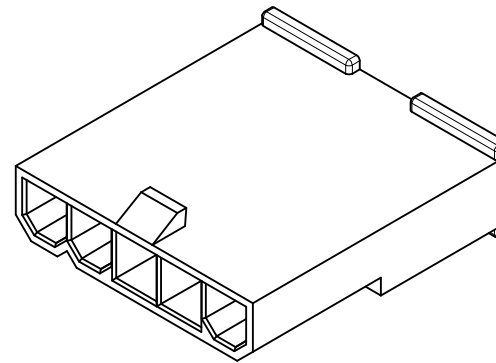
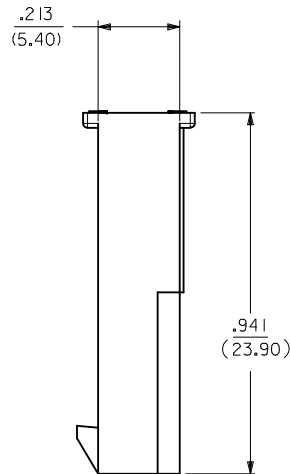
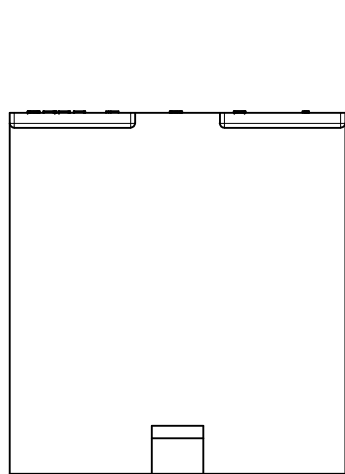
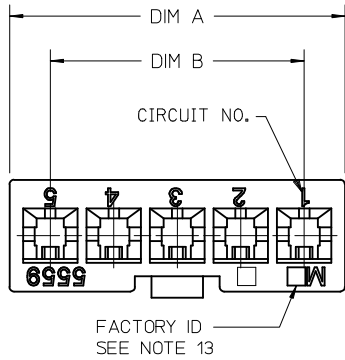


MATERIAL NUMBER	MOUNTING OPTION	COLOR	CKT SIZE	DIM A	DIM B	DIM C	DIM D
172646-0212	W/EARS	BLACK	2	.378	.165	.394	.591
172646-0213	NO EARS			(.9,60)	(4,20)	(10,00)	(15,00)
172646-0412	W/EARS		4	.709	.496	.724	.921
172646-0413	NO EARS			(18,00)	(12,60)	(18,40)	(23,40)
172646-0512	W/EARS		5	.874	.661	.890	1,087
172646-0513	NO EARS			(22,20)	(16,80)	(22,60)	(27,60)
172646-0612	W/EARS	6	1,039	.827	1,055	1,252	
172646-0613	NO EARS		(26,40)	(21,00)	(26,80)	(31,80)	
172646-0202	W/EARS	NATURAL (BEIGE)	2	.378	.165	.394	.591
172646-0203	NO EARS			(.9,60)	(4,20)	(10,00)	(15,00)
172646-0402	W/EARS		4	.709	.496	.724	.921
172646-0403	NO EARS			(18,00)	(12,60)	(18,40)	(23,40)
172646-0502	W/EARS		5	.874	.661	.890	1,087
172646-0503	NO EARS			(22,20)	(16,80)	(22,60)	(27,60)
172646-0602	W/EARS	6	1,039	.827	1,055	1,252	
172646-0603	NO EARS		(26,40)	(21,00)	(26,80)	(31,80)	

X = NOT TOOLED

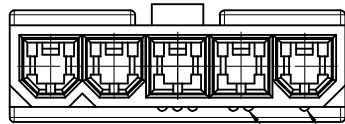
LEGEND

172646-*** **
 SERIES NO
 CIRCUIT SIZE (04-05)
 MATERIAL OPTION: SEE NOTE I
 MOUNTING AND LOCK OPTION:
 2=WITH EARS, SINGLE ROW
 3=WITHOUT EARS, SINGLE ROW



NOTES:

- MATERIAL:
 0 = NYLON, UL94V-2, COLOR: NATURAL (BEIGE); IEC 60335-1, 5th EDITION GLOW WIRE CAPABLE.
 1 = NYLON, UL94V-2, COLOR: BLACK; IEC 60335-1, 5th EDITION GLOW WIRE CAPABLE.
- FINISH: NOT APPLICABLE
- PRODUCT SPECIFICATION: PS-5556-001
- PACKAGING: BULK PER PK-5559-003
- PART MATES WITH MOLEX RECEPTACLE #46994.
- PART TO BE USED WITH MOLEX MALE TERMINAL #5558.
- PART IS NOT DESIGNED FOR CURRENT SHARING.
- CONNECTORS ARE NOT TO BE MATED OR UNMATED WHILE CIRCUITS ARE LIVE.
- WIRES ARE TO BE DRESSED IN SUCH A MANNER TO ALLOW THE TERMINALS TO FLOAT FREELY IN THE POCKET.
- PANEL MOUNT VERSION IS FOR USE WITH .031-.079/(0.80/2.00) THICK PANELS.
- PANEL SHOULD BE PUNCHED IN THE DIRECTION OF CONNECTOR INSERTION.
- PART CONFORMS TO CLASS "B" REQUIREMENTS OF COSMETIC SPECIFICATION PS-45499-002 WITH THE EXCEPTION OF DISCOLORATION, FLASH AND SINK MEET CLASS "C" REQUIREMENTS.
- FACTORY ID MAY BE LOCATED ON EARS.



CIRCUIT #1 RIB
 CIRCUIT #2 RIBS

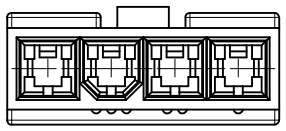
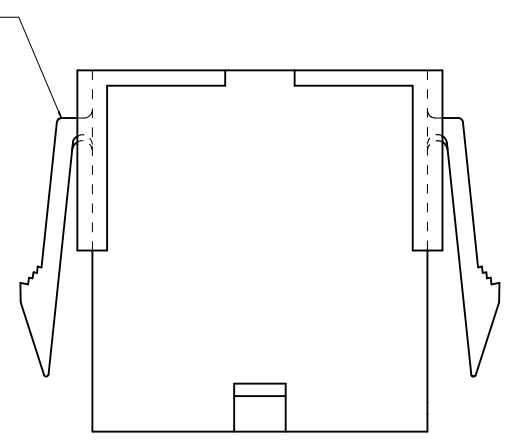
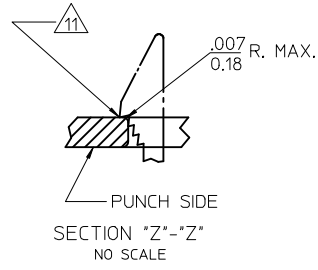
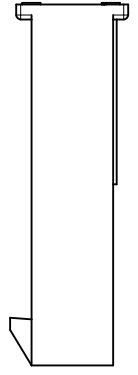
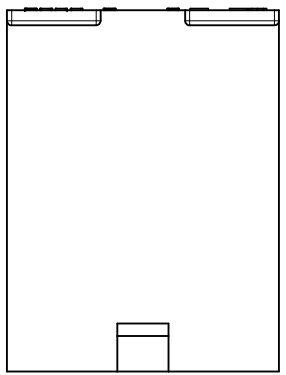
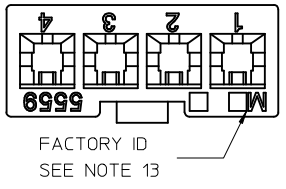
5 CKT WITHOUT MOUNTING EARS SHOWN

REV	DESCRIPTION	QUALITY SYMBOLS
A3	ADD NATURAL P/N'S IEC NO: UCP2016-0359 DRWIN: MONT 2015/07/31 CHKD: JBELL 2015/07/31 APPR: FSMITH 2015/08/14	

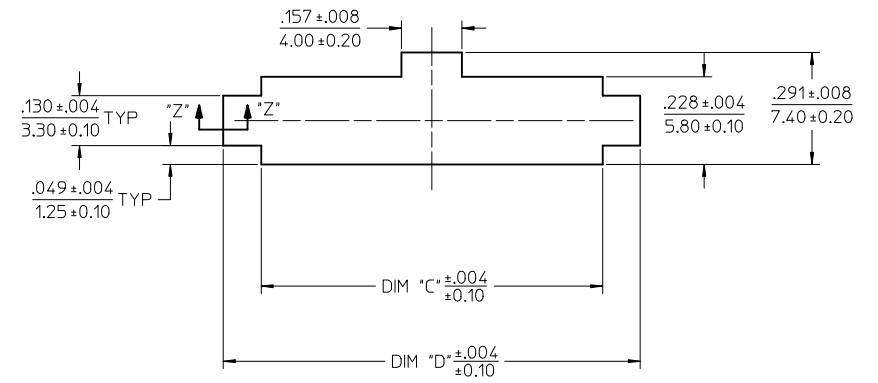
GENERAL TOLERANCES (UNLESS SPECIFIED)	
mm	INCH
4 PLACES ± .010	± .0004
3 PLACES ± .015	± .0006
2 PLACES ± 0.25	± .010
1 PLACE ± 0.38	± .015
0 PLACE ±	±
ANGULAR ±1/2°	
DRAFT WHERE APPLICABLE MUST REMAIN WITHIN DIMENSIONS	

DIMENSION STYLE	
IN/MM	
DRAWN BY	DATE
NGUYEN	2013/04/11
CHECKED BY	DATE
JBELL	2013/04/11
APPROVED BY	DATE
FSMITH	2014/05/16
MATERIAL NO.	
SEE CHART	

SCALE	DESIGN UNITS	THIRD ANGLE PROJECTION
4:1	METRIC	
TITLE		
MINI-FIT JR. SERIES PLUG SINGLE ROW (GLOW WIRE)		
molex		
DOCUMENT NO.		SHEET NO.
SD-172646-0000		1 OF 2
THIS DRAWING CONTAINS INFORMATION THAT IS PROPRIETARY TO MOLEX. INCORPORATED AND SHOULD NOT BE USED WITHOUT WRITTEN PERMISSION		



4 CKT WITHOUT
MOUNTING EARS SHOWN



RECOMMENDED PANEL CUT-OUT
(SEE NOTE 10 & 11)

SEE SHEET 1 EC NO: UCP2016-0359 2015/07/31 DRWN: MONT 2015/07/31 CHKD: BELL 2015/08/14 APPR: FSMITH	DESCRIPTION REV A3	QUALITY SYMBOLS	GENERAL TOLERANCES (UNLESS SPECIFIED)	DIMENSION STYLE	SCALE	DESIGN UNITS	THIRD ANGLE PROJECTION
		$\nabla = 0$ $\nabla = 0$ $\nabla = 0$	mm INCH 4 PLACES ± --- ± --- 3 PLACES ± --- ± .010 2 PLACES ± 0.25 ± .015 1 PLACE ± 0.38 ± --- 0 PLACE ± ±	IN/MM DRAWN BY DATE NGUYEN 2013/04/11 CHECKED BY DATE JBELL 2013/04/11 APPROVED BY DATE FSMITH 2014/05/16	1:1	METRIC	MINI-FIT JR. SERIES PLUG SINGLE ROW (GLOW WIRE)
		ANGULAR ±1/2° DRAFT WHERE APPLICABLE MUST REMAIN WITHIN DIMENSIONS	MATERIAL NO. SEE SHEET 1	DOCUMENT NO. SD-172646-0000	SHEET NO. 2 OF 2		
		THIS DRAWING CONTAINS INFORMATION THAT IS PROPRIETARY TO MOLEX INCORPORATED AND SHOULD NOT BE USED WITHOUT WRITTEN PERMISSION					