

4

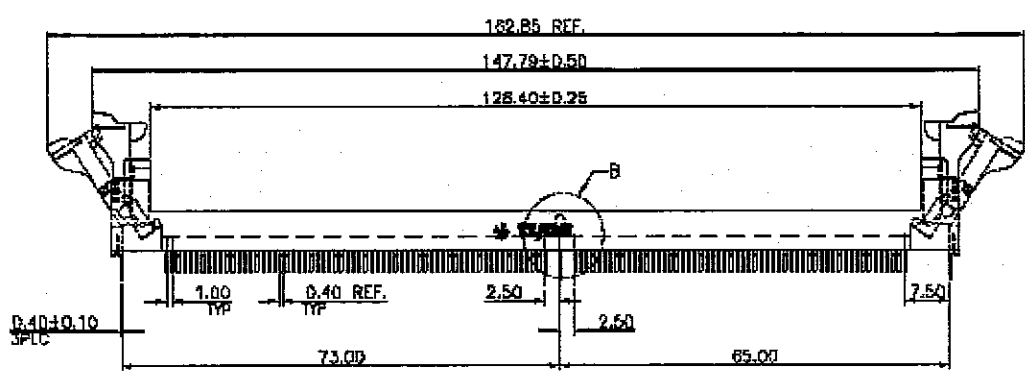
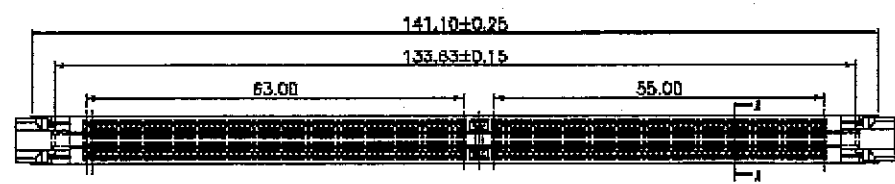
3

2

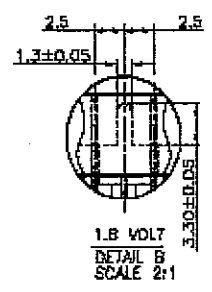
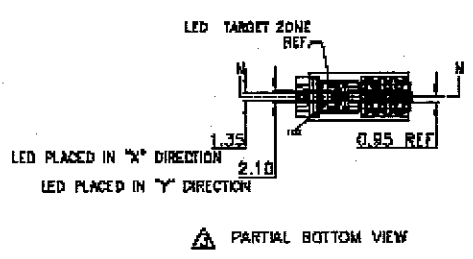
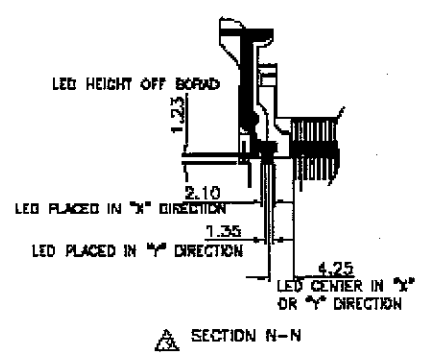
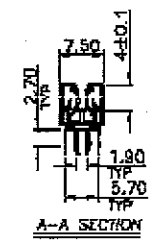
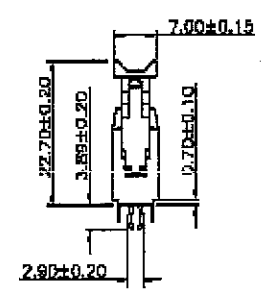
1

THIS DRAWING IS UNPUBLISHED. RELEASED FOR PUBLICATION
 COPYRIGHT BY TYCO ELECTRONICS CORPORATION. ALL RIGHTS RESERVED.

REVISIONS				
REV	DATE	DESCRIPTION	DATE	BY
A	FIRST RELEASED		22NOV06	HH WK



- NOTES:
 1. MATERIAL:
 1.1 HOUSING: THERMOPLASTIC(PA66), UL94V-0; COLOR:SEE TABLE.
 1.2 EXTRACTOR: THERMOPLASTIC (PC), UL94V-0; COLOR:TRANSPARENT.
 1.3 CONTACTS: BRASS
 1.4 BOARDLOCK: BRASS
 2. FINISH:
 2.1 CONTACTS:
 GOLD PLATING ON CONTACT AREA,
 2.54µm [100µ"MIN.] MTL MATTE TIN PLATING ON SOLDER TAIL AREA,
 1.27µm [50µ"MIN.] NICKEL PLATING OVERALL.
 2.2 BOARDLOCK:
 1.27µm [50µ"MIN.] NICKEL UNDERPLATING OVERALL.
 LED LOCATION AS APPLICABLE PER CUSTOMER.
 4. WAVE SOLDER CAPABLE TO 285°C PER TYCO SPEC. 169-2D2, CONDITION B.



WHITE	0.782µm (30u")	1-	-3
	0.381µm (15u")	1-	-2
BLACK	GOLD FLASH	1-	-1
	0.782µm (30u")		-3
HSC. COLOR	0.381µm (15u")		-2
	GOLD FLASH	1775427-1	
	GOLD PLATING		PART NUMBER

THIS DRAWING IS A CONTROLLED DOCUMENT.

DIMENSIONS: MM 	TOLERANCES UNLESS OTHERWISE SPECIFIED: 0 PLC ± - 1 PLC ± 0.25 2 PLC ± 0.30 3 PLC ± 0.15 4 PLC ANGLES ± -	DWG: H. HUANG CHK: S. HOU APD: W.J. KE PRODUCT SPEC: 108-57636 QUALIFICATION TEST REPORT: 501-57741 MATERIAL: SEE NOTE FINISH: SEE NOTE	DATE: 22NOV2006 DATE: 22NOV2006 DATE: 22NOV2006 NAME: DIMM DDRII SOCKET 240P WITH TRANSPARENT LATCH SIZE: A3 DATE CODE: 00779 DRAWING NO: C=1775427 WEIGHT: 10 GRAMS CUSTOMER DRAWING	 Tyco Holdings (Bermuda) V8 Ltd. Taiwan Branch	RESTRICTED TO: - SCALE: - SHEET: 1 of 3 REV: A
-----------------------	---	---	---	--	---

4

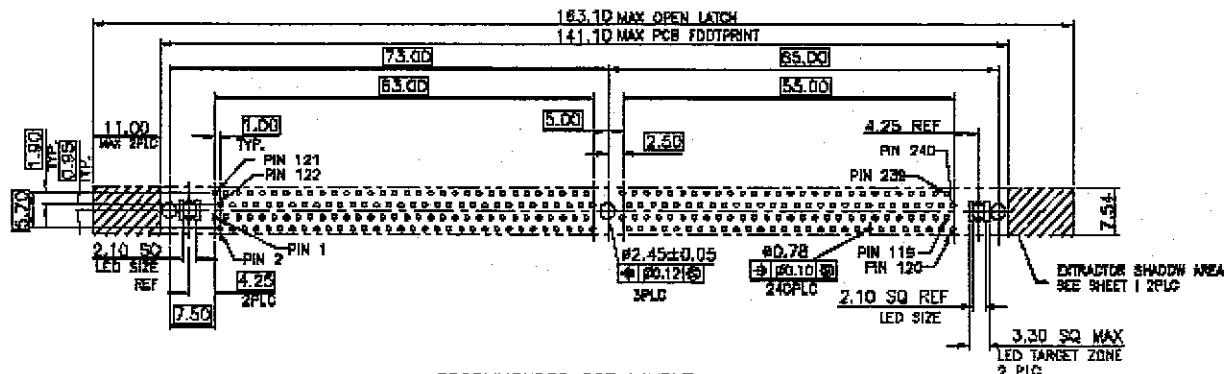
3

2

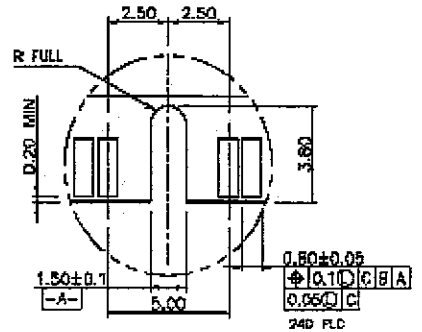
1

THIS DRAWING IS UNPUBLISHED
 RELEASED FOR PUBLICATION
 COPYRIGHT - BY TYCO ELECTRONICS CORPORATION ALL RIGHTS RESERVED.

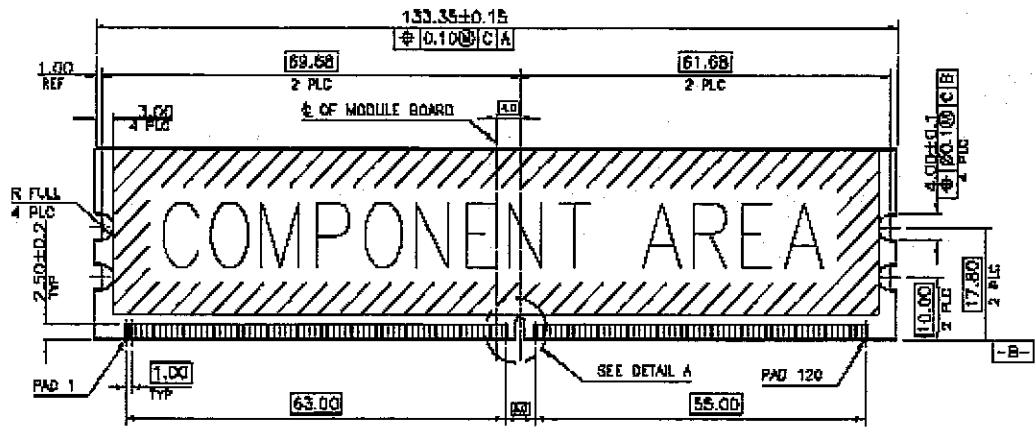
LOC	DISP	REVISIONS		
DW	-	P	DIR	DATE
		DESCRIPTION		DATE
		SEE SHEET 1.		REV
				APD



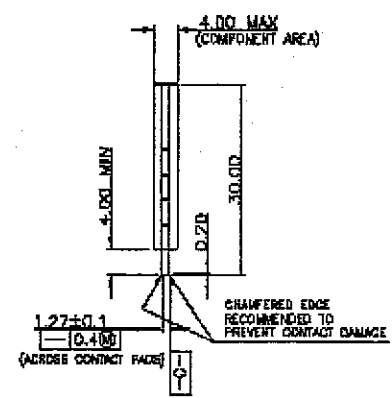
RECOMMENDED PCB LAYOUT
 PCB TOLERANCE: ±0.05



DETAIL A
 SCALE 4:1



RECOMMENDED MODULE LAYOUT



THIS DRAWING IS A CONTROLLED DOCUMENT.		DMN H. HUIANG	22ND0200B	tyco Electronics	Tyco Holdings (Bermuda) VI Ltd. Taiwan Branch	
DIMENSIONS: MM		CHK S. HOU	23ND0000E		NAME	
TOLERANCES UNLESS OTHERWISE SPECIFIED:		APD W.J. KE	22ND0000B	DIMM DDRII SOCKET 240P WITH TRANSPARENT LATCH		
0 PLC ± -		PROLET SPEC	-	SIZE	SIGT CODE	DRAWING NO
1 PLC ±0.25		QUALIFICATION TEST REPORT	-	A3	00779	C=1775427
2 PLC ±0.30		WEIGHT	-	CUSTOMER DRAWING		RESTRICTED TO
3 PLC ±0.15				SCALE	SHEET	REV
4 PLC ± -				-	2 OF 3	A
MATERIAL						
FINISH						
SEE NOTE						

4

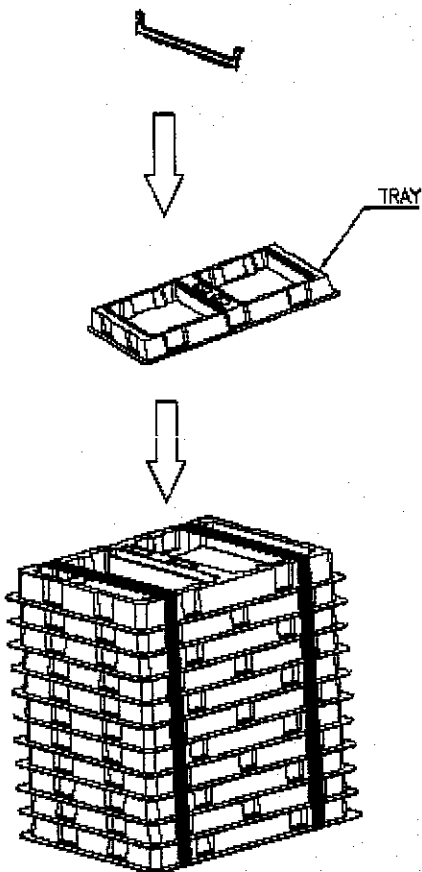
3

2

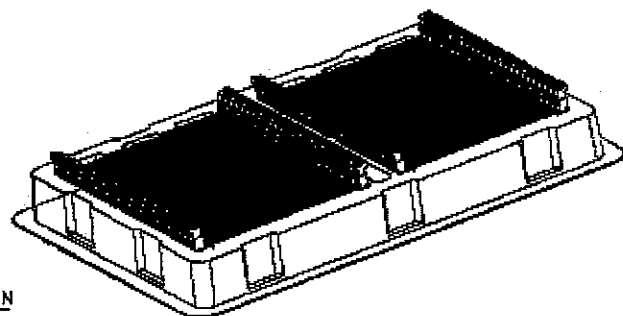
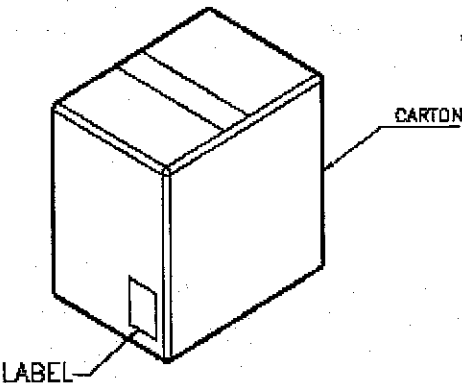
1

THIS DRAWING IS UNCLASSIFIED
EXCEPT WHERE SHOWN OTHERWISE
RELIEVED FOR PUBLICATION
ALL RIGHTS RESERVED.

LOG	DIST	REVISIONS			
P	LR	DESCRIPTION	DATE	DM	JWD
DW	-	SEE SHEET 1.			



- NOTE:
- DIMENSION:
TRAY: L = 365, W = 255, H = 33
CARTON: L = 385, W = 270, H = 365
 - QUANTITY:
50 PCS/TRAY
10 TRAYS/CARTON (500 PCS/CARTON)
 - WEIGHT :
NET WEIGHT : 5.0KG
GROSS WEIGHT : 7.0KG



THIS DRAWING IS A CONTROLLED DOCUMENT.		DM H. HUANG	22NOV2003	tyco Electronics	Tyco Holdings (Bermuda) VI Ltd. Taiwan Branch	
DIMENSIONS: MM		OK S. HOU	22NOV2003		DIMM DDR1 SOCKET 240P WITH TRANSPARENT LATCH	
TOLERANCES UNLESS OTHERWISE SPECIFIED:		APPD W.J. KE	22NOV2003	SIZE		
0 PLG ±		FINGERLET SPEC		A3		00779
1 PLG ±		APPLICATION SPEC		C-1775427		RESTRICTED TO
2 PLG ±		WEIGHT		3 OF 3		REV A
3 PLG ±		CUSTOMER DRAWING		SCALE -		
4 PLG ±						
ANGLES ±						
MATERIAL						
FINISH						