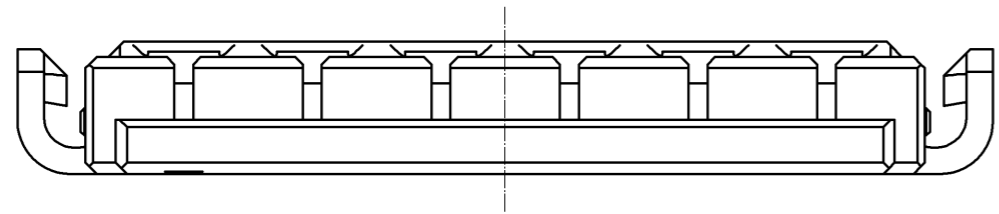
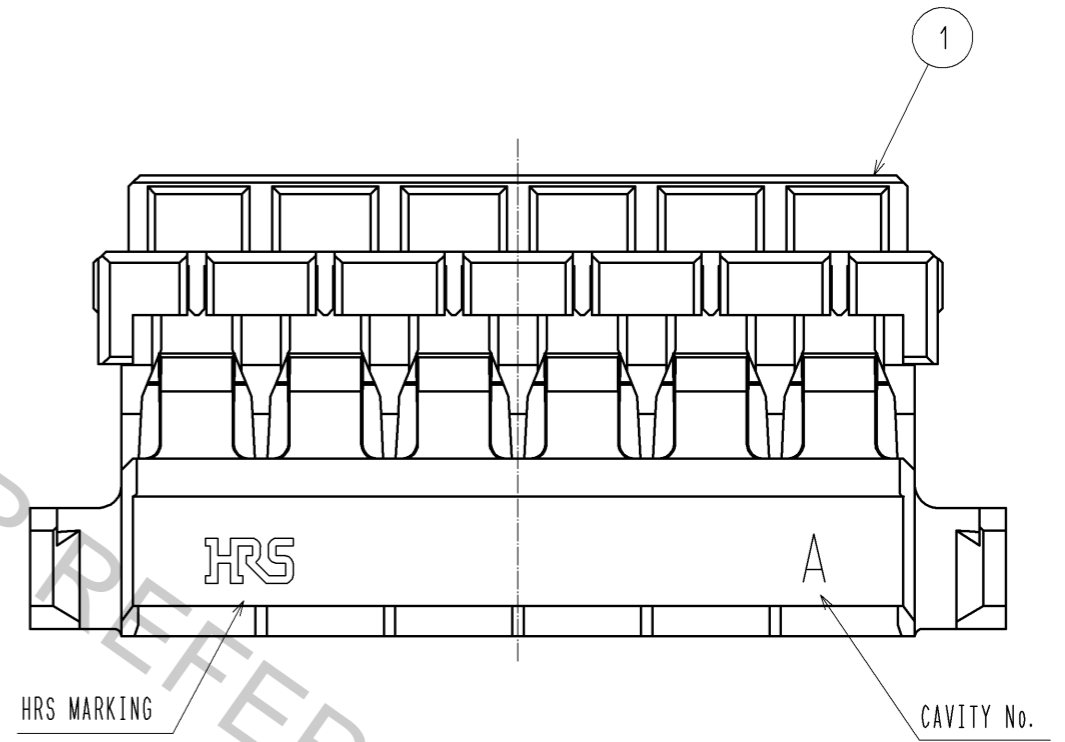
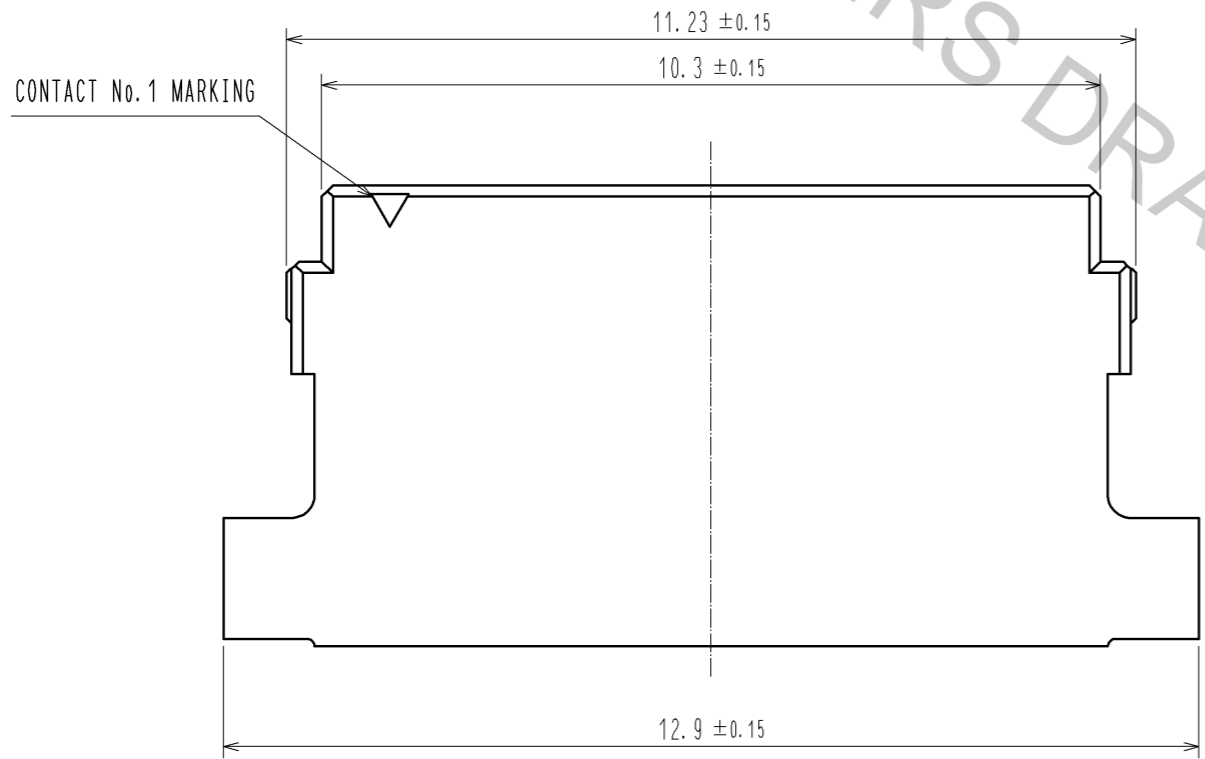
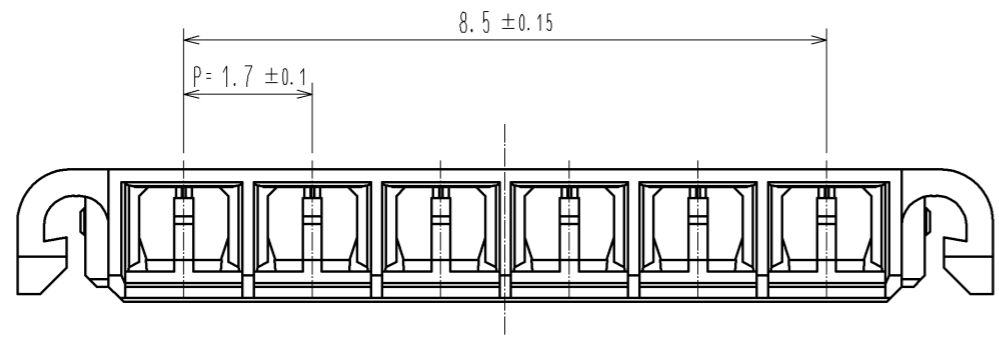


Apr.1.2017 Copyright 2017 HIROSE ELECTRIC CO., LTD. All Rights Reserved.



NO.	MATERIAL	FINISH . REMARKS	NO.	MATERIAL	FINISH . REMARKS		
1	LCP			UL94V-0. NATURAL			
UNITS		SCALE	COUNT	DESCRIPTION OF REVISIONS	DESIGNED	CHECKED	DATE
mm		10 : 1	△				
<b>HRS</b> HIROSE ELECTRIC CO., LTD.			APPROVED : KI. AKIYAMA	13. 08. 22	DRAWING NO. EDC3-351457-00		
			CHECED : OM. MIYAMOTO	13. 08. 21	PART NO. DF65-6S-1.7C		
			DESIGNED : TT. OHSAKO	13. 08. 21	CODE NO. CL666-6009-9-00		
			DRAWN : TT. OHSAKO	13. 08. 21	1/1		