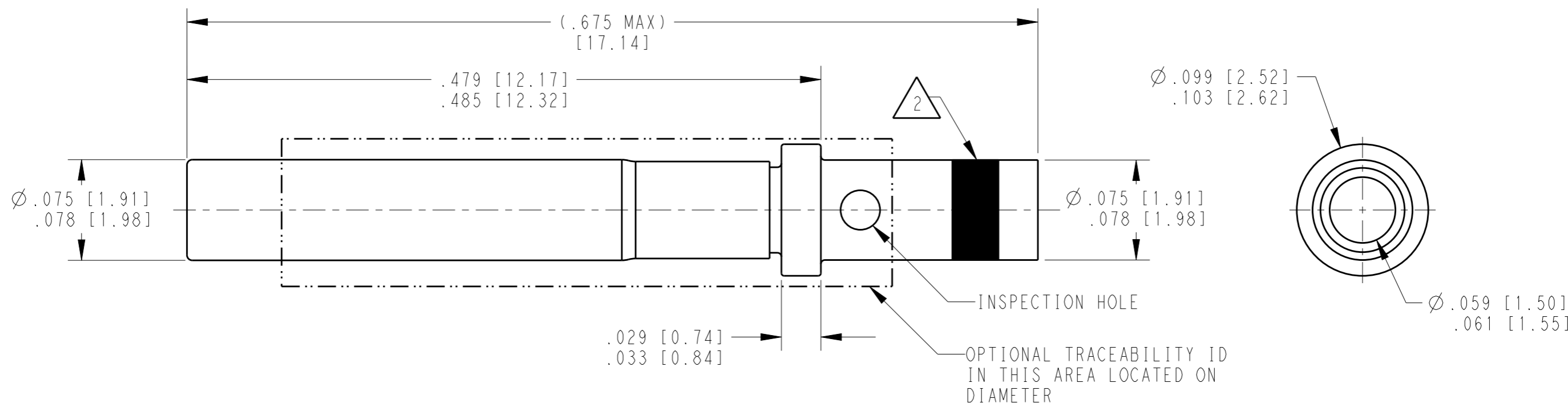


REVISIONS

P	LTR	DESCRIPTION	DATE	DWN	APVD
NC		NEW RELEASE PER E.O. P19622	19SEP2007	DM	RDR
A		REVISED PER E.O. P20271	27JUL2009	DM	RDR
B		REVISED PER E.O. P21283	25JAN2012	DM	RDR
C		REVISED PER PCN E-18-001206	24JAN2018	JA	DM



TE INTERNAL PN	DEUTSCH PN	PLATING
0462-005-2031	0462-005-2031	GOLD
0462-005-20141	0462-005-20141	NICKEL
0462-005-20309	0462-005-20309	TIN

3. WIRE RANGE : 18 AWG TO 16 AWG [0.75 - 1.0 mm²]

2 SOCKET CONTACT IS IDENTIFIED BY A SINGE PURPLE STRIPE.

1. THIS CONTACT MAY BE CRIMPED WITH HDP-400 POWER PRESS OR HDT-48-00 HAND TOOL.

NOTES: UNLESS OTHERWISE SPECIFIED

THIS DRAWING IS A CONTROLLED DOCUMENT.		DWN D. MEYER 14SEP2007	TE TE Connectivity	
DIMENSIONS: INCHES [mm]		CHK D. MEYER 23JAN2012		
TOLERANCES UNLESS OTHERWISE SPECIFIED:		APVD R. REED 03FEB2012	NAME CONTACT SOCKET SIZE 20	
0 PLC ± 1 PLC ± 2 PLC ± 3 PLC ± 4 PLC ± ANGLES ±		PRODUCT SPEC 0425-015-0000	RESTRICTED TO	
MATERIAL		APPLICATION SPEC 0425-205-0000	SIZE A3	CAGE CODE 4AFU8
FINISH		WEIGHT 0.26g	DRAWING NO 0462-005-20XX	REV C
CUSTOMER DRAWING			SCALE 12:1	SHEET 1 OF 1