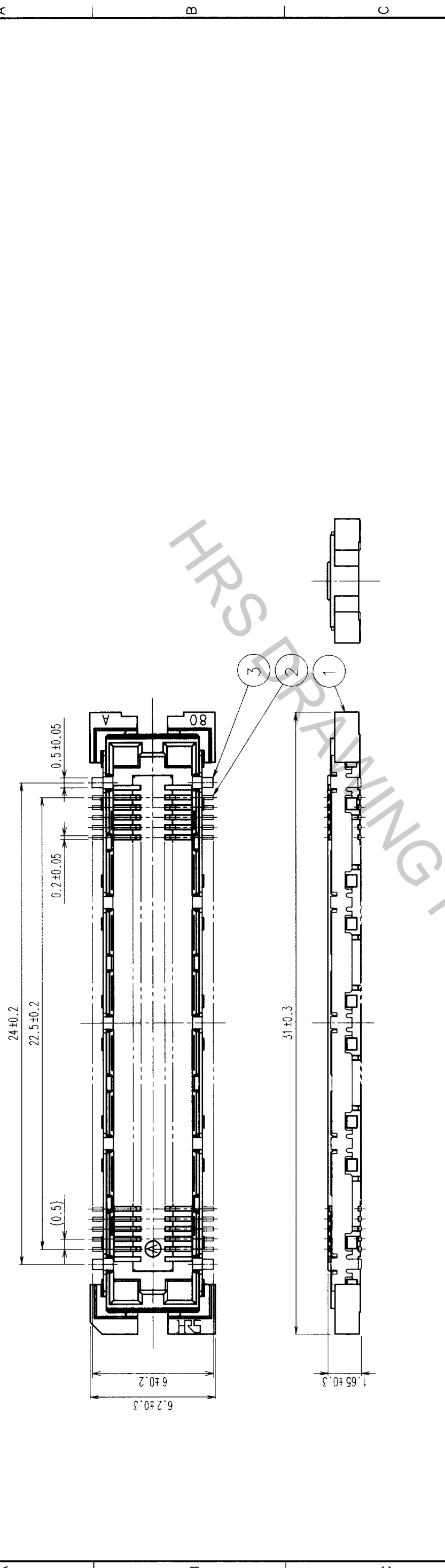
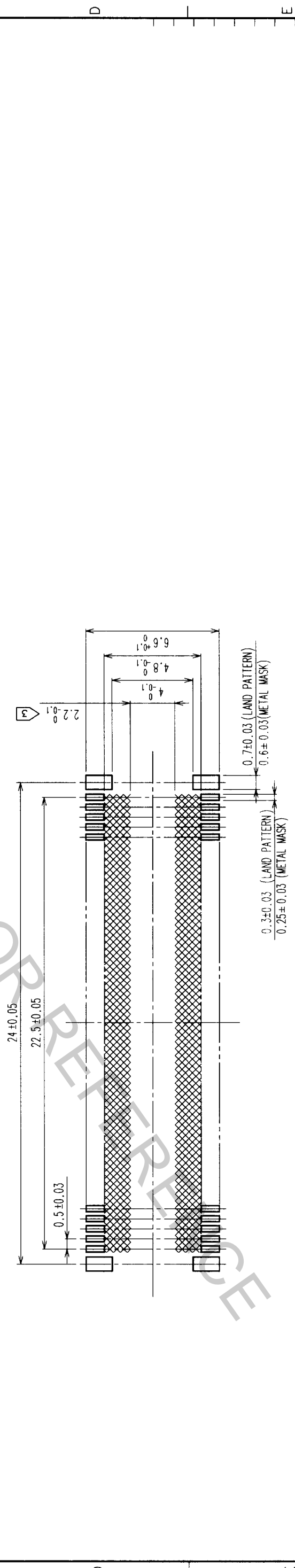


3	4	5	6	7	8
COUNT	DESCRIPTION OF REVISIONS	BY	CHKD	DATE	
0					
0					
0					



RECOMMENDED LAND PATTERN DIMENSION OF PCB



NOTES

- 1 SMT LEAD-COPLANARITY: 0.1 MAX.
- 2 THIS PRODUCT HAS NO POLARITY TO PATTERN FOR MOUNTING.
- 3 MAKE SURE WIDTH OF PATTERN IS WITHIN THAT OF LAND, OR LEAD MAY TOUCH PATTERN. (THIS APPLIES TO HATCHED AREA.)
- 4 TO BE EMBOSSED CARRIER TAPED AS SPECIFIED IN SHEET 2.

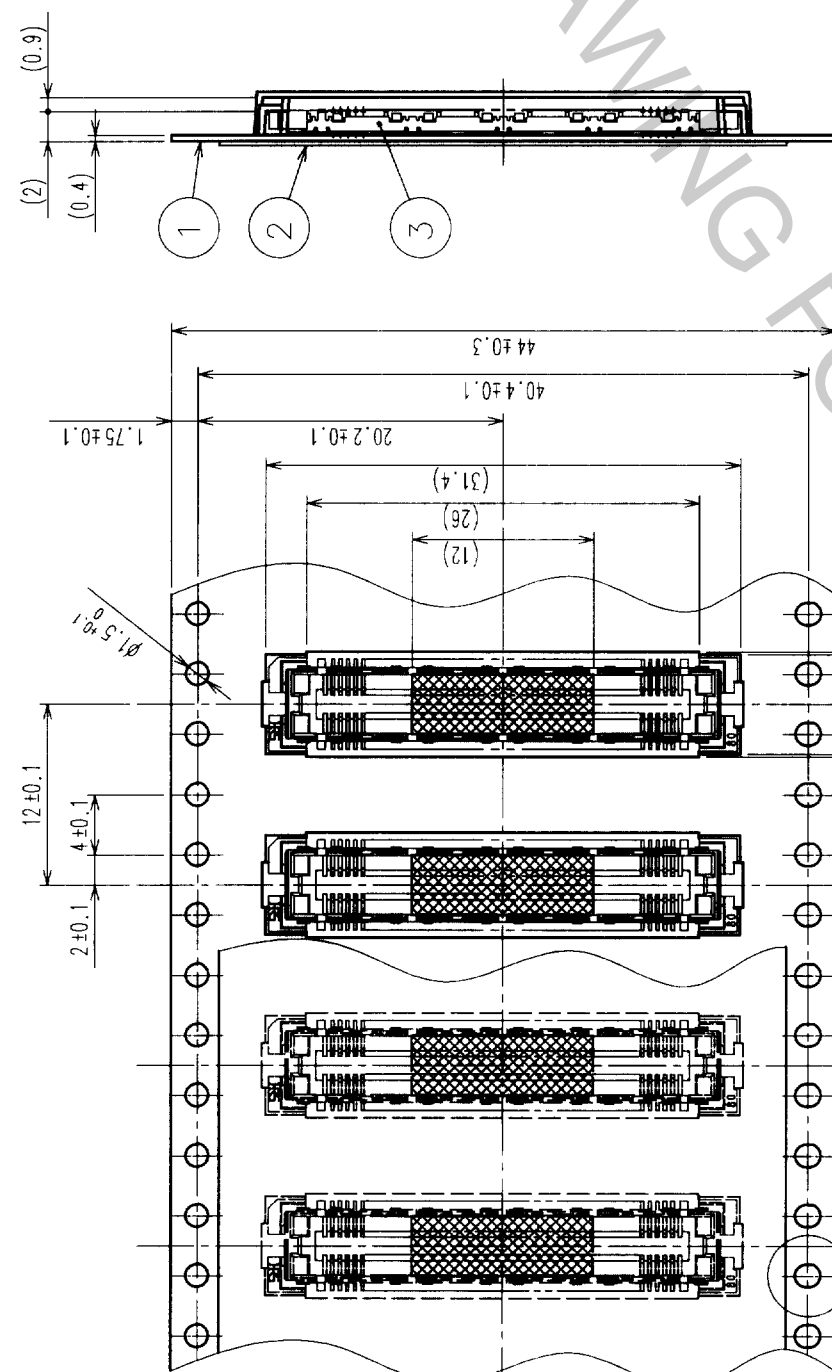
2	PHOSPHOR BRONZE	CONTACT AREA: GOLD (0.1µm) OVER NICKEL	DRAWN	DESIGNED	CHECKED	TIN PLATED
1	LCP	LEAD: GOLD FLASH OVER NICKEL	BEIGE	UL94V-0	3	PHOSPHOR BRONZE
NO. MATERIAL			FINISH, REMARKS		NO. MATERIAL	
CODE NO. (OLD)			DRAWN		DESIGNED	
CL			<i>Y. Takahashi</i>		<i>F. Yoshimura</i>	
			99.10.29		99.10.28	
			99.10.29		99.10.28	

DRAWING NO.		PART NO.	
EDC3-152121-02		FX11LB-92S-SV (22)	
SCALE	CODE NO.		
5 : 1	CL573-0153-2-22		
UNITS	mm		

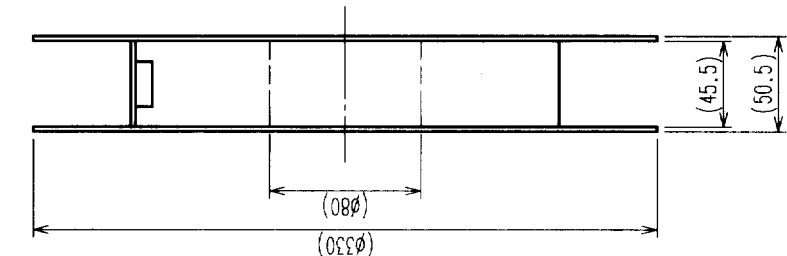
TO PCK

1 2

COUNT	DESCRIPTION OF REVISIONS	BY	CHKD	DATE	COUNT	DESCRIPTION OF REVISIONS	BY	CHKD	DATE
△					△				
△					△				
△					△				

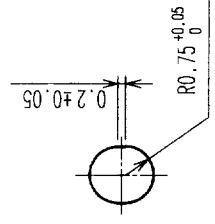


REELED DIMENSION (Free)

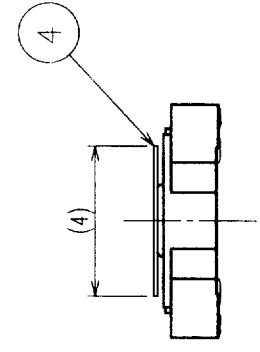


THE DIRECTION OF PULLING OUT ⇨

A (5:1)



DETAIL FOR TAPE PICKUP (5:1)



- NOTES
- 1 REEL: 1000 CONNECTORS.
 - 2 MINIMUM 10 COMPARTMENTS FROM BOTH REEL ENDS REMAIN EMPTY.
 - 3 THIS PRODUCT HAS NO POLARITY TO TAPE AND REEL PACKAGING.

2	PET	TOP COVER TAPE	4	POLYIMIDE	(TAP FOR VACUUM PICKUP)
1	PS	EMBOSSED CARRIER TAPE	3	(CONNECTOR)	
NO.	MATERIAL	FINISH, REMARKS	NO.	MATERIAL	FINISH, REMARKS
DRAWING FOR PACKING					
CODE NO. (OLD) CL		DRAWN M. Saitoh 199.10.28		DESIGNED M. Saitoh 199.10.28	
SCALE 2:1		PART NO. FX11LB-92S-SV(22)		APPROVED M. Saitoh 199.10.28	
UNITS mm		DRAWING NO. EDC3-152121-02		RELEASED	
		HIROSE ELECTRIC CO., LTD			
		CODE NO. CL573-0153-2-22			

TO	
PCK	