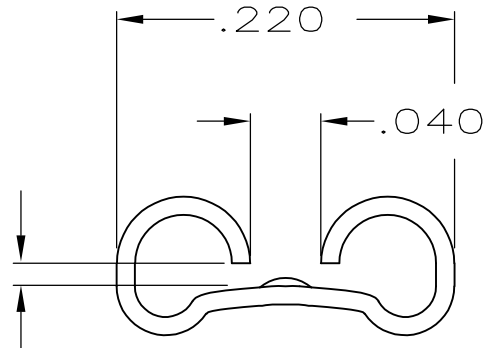
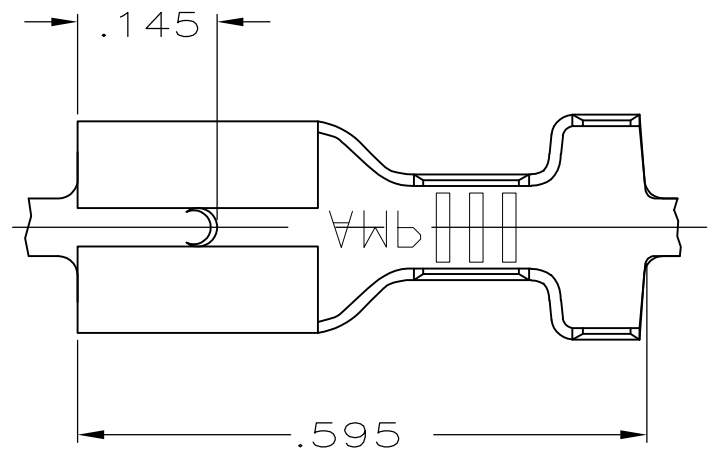


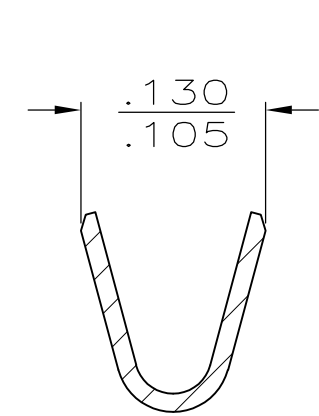
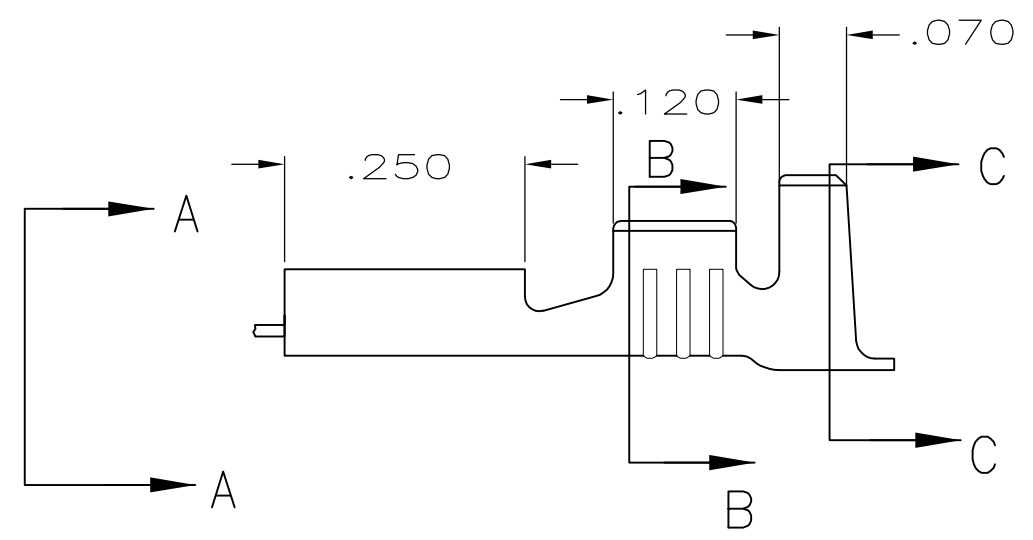
THIS DRAWING IS UNPUBLISHED. RELEASED FOR PUBLICATION
 © COPYRIGHT - By - ALL RIGHTS RESERVED.

LOC	DIST	REVISIONS					
AF	50	P	LTR	DESCRIPTION	DATE	DWN	APVD
			D	REVISED PER ECR-12-013518	23NOV2012	KH	PD

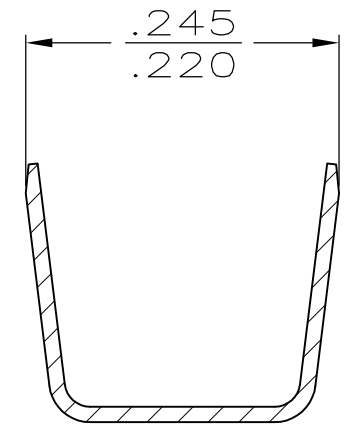
1 CONTINUOUS STRIP ON REELS.



FITS .187 X .020 SERIES FASTON TAB
 VIEW A-A



SECTION B-B



SECTION C-C

.105-.210 OR (2).105 MAX	18-16 OR (2) #18	.020	63470-1
INSULATION RANGE	WIRE SIZE	TAB THK ±.001	PART NO.

THIS DRAWING IS A CONTROLLED DOCUMENT.		DWN	JR RUTH	7/15/87	STE TE Connectivity		
DIMENSIONS: INCHES		CHK	G YETTER	7/16/87			
TOLERANCES UNLESS OTHERWISE SPECIFIED:		APVD	C MEYERS	7/17/87	NAME		
0 PLC ± -		PRODUCT SPEC		RECEPTACLE, FASTON,™			
1 PLC ± -		APPLICATION SPEC		.187 SERIES			
2 PLC ± -		SIZE	A3	CAGE CODE	00779	DRAWING NO	C-63470
3 PLC ± .010		WEIGHT		RESTRICTED TO		-	
4 PLC ± -		CUSTOMER DRAWING		SCALE	NTS	SHEET	1 OF 1
ANGLES ± -		MATERIAL		REV		D	
FINISH -		BRASS		REV		D	