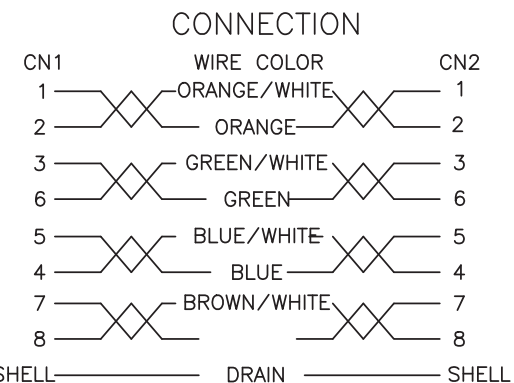
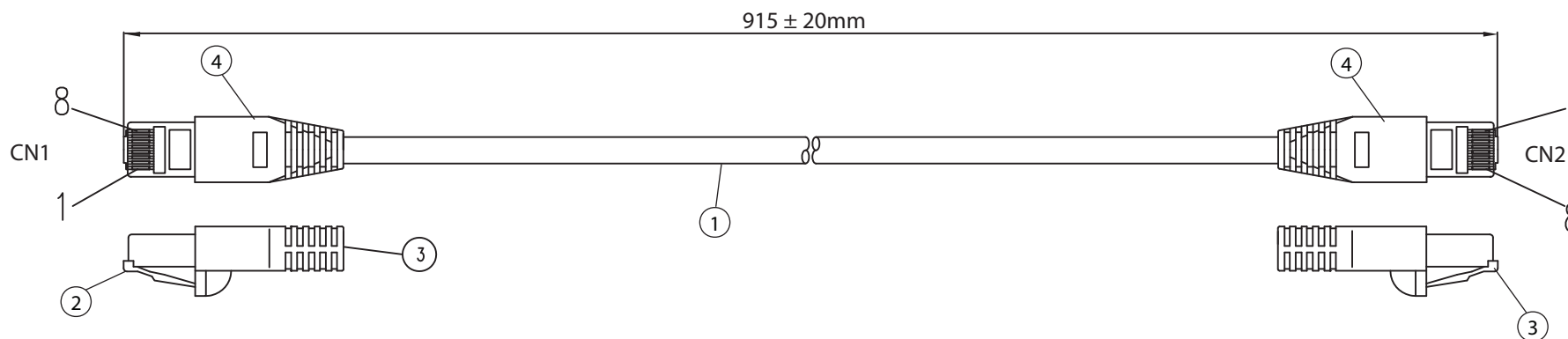


THESE DRAWINGS ARE THE PROPERTY OF QUALTEK ELECTRONICS AND NOT TO BE REPRODUCED FOR OR COMMUNICATED TO A THIRD PARTY WITHOUT THE EXPRESS WRITTEN PERMISSION OF AN OFFICER OF QUALTEK ELECTRONICS.

| REVISION | | | |
|----------|-------------|------|----------|
| REV. | DESCRIPTION | DATE | APPROVED |
| | | | |
| | | | |
| | | | |



NOTES:

- CABLE: UL 2835 STP CAT-5e 350MHz
24AWG*4PR+AE
OUTER JACKET: WHITE OD: 5.5 ± 0.2mm
- CONNECTOR: RJ45 8P8C
CONTACT PHOSPHOR BRONZE
GOLD PLATED G/F
SHELL NICKEL PLATED
- CONNECTOR: RJ45 8P8C
CONTACT PHOSPHOR BRONZE
GOLD PLATED G/F
SHELL NICKEL PLATED
- PVC MOLDED HOOD: COLOR WHITE
- ELECTRICAL TEST:
<1>.100% OPEN SHORT & MISS WIRE TEST
<2>.INSULATION RESISTANCE: DC300V 20M ohm MIN.
<3>.CONDUCTOR RESISTANCE: 2 ohm MAX.

CONTROLLED

| Dim range (mm) | | Tolerance +/- (mm) | Qualtek Electronics Corp. WCI DIVISION | | |
|----------------|--|--------------------|---|----------------|-----------------|
| 0-1 | | 0.15 | Part Number: 1221021-03 RoHS Compliant | | |
| 1-6 | | 0.20 | Description: 8P8C - 8P8C | | |
| 6-18 | | 0.30 | RFQ# 2505H | UNIT: mm | |
| 18-50 | | 0.50 | Drawn / Date | Checked / Date | Approved / Date |
| 50-120 | | 0.70 | R. Nuti | 07-15-13 | LY / 07-15-13 |
| 120-250 | | 0.90 | | | |
| 250-500 | | 1.20 | | | |