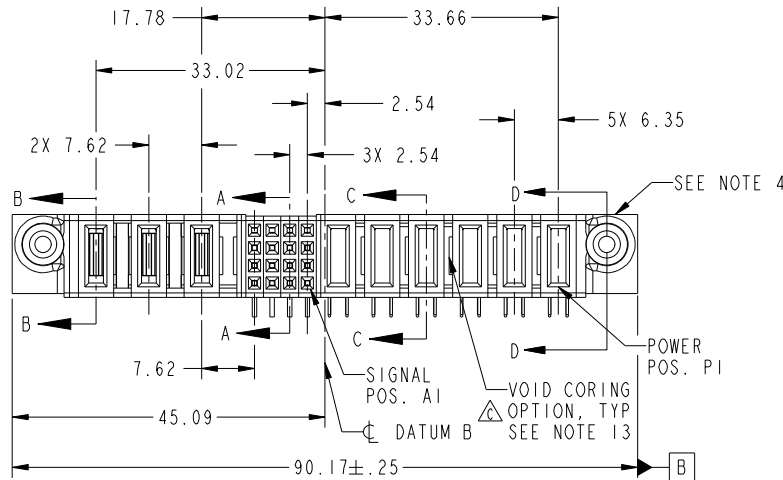
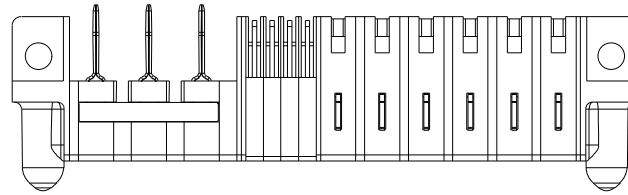


Tous droits strictement reserves. Reproduction ou communication a des tiers interdite sous quelque forme que ce soit sans autorisation écrite du propriétaire. Propriete de c FCI. Droits de reproduction FCI.



All rights strictly reserved. Reproduction or issue to third parties in any form whatever is not permitted without written authority from the proprietor. Property of FCI. Copyright FCI.

PRODUCT NO.	ROWS	POWER			SIGNAL				POWER					E1								
		E2	P9	P8	P7	4	3	2	1	P6	P5	P4	P3		P2	P1						
51915-080-- NOTE: 3	D C B A		PG	PG	PG	H	H	H	H	G	G	G	G	F	F	F	F	E	E	E	E	



CODE	DIM "M" MATING LENGTH	CONTACT TYPE
PG	[1.07]	POWER
PA	[1.07]	POWER
H	[N/A]	SIGNAL
G	[N/A]	SIGNAL
F	[N/A]	SIGNAL
E	[N/A]	SIGNAL

mat'l code				SEE NOTE 2		tolerances unless otherwise specified		CUSTOMER		FCI	
ltr	ecn no.	dr	date	linear	0.X ± 0.5	projection		COPY		www.fciconnect.com	
A	DG05-0191	GuoJM	06/24/05		0.XX ± 0.25			title		6P + 16S + 3ACP	
B	DG05-0263	GuoJM	08/03/05		0.XXX ± 0.10			R/A STB RECEPTACLE		product family PwrBlade code 213	
C	DG07-0498	JW	09/15/08	angles	0° ± 2°	scale		size		dwg no 51915-080 sheet 1 of 4	
				dr	JM Guo 06/24/05	1:1		A			
				enr	SLUO 06/24/05						
				chr	VICTOR LIN 06/24/05						
				appd	JOSEPH HSIA 06/24/05						
sheet index	revision sheet	C	C	C	C					cage code 22526	
		1	2	3	4						

Pro/E

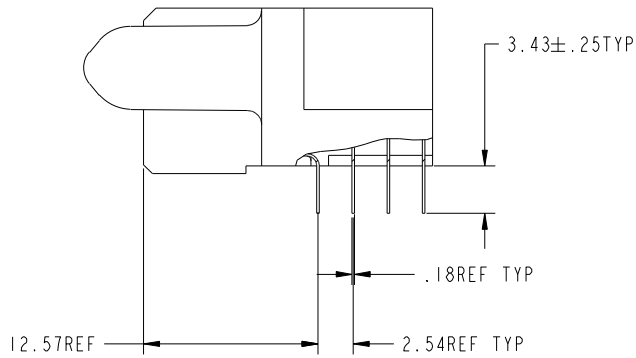
cage code 22526

Tous droits strictement reserves. Reproduction ou communication a des tiers interdite sous quelque forme que ce soit sans autorisation écrite du propriétaire. Propriete de c FCI. Droits de reproduction FCI.

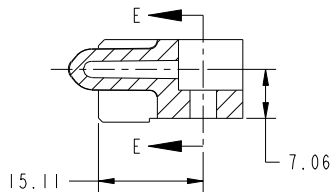


All rights strictly reserved. Reproduction or issue to third parties in any form whatever is not permitted without written authority from the proprietor. Property of FCI. Copyright FCI.

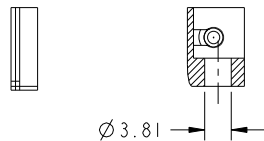
PRODUCT NUMBER
51915-080--
NOTE: 3



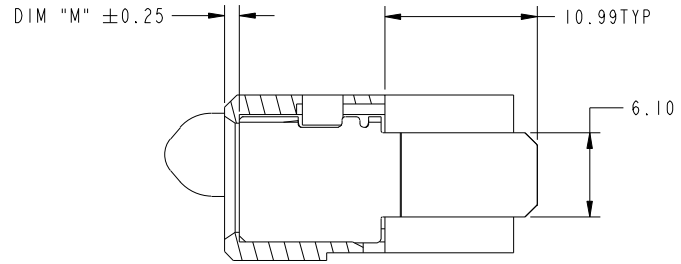
BROKEN-OUT SECTION A-A
SCALE 2:1



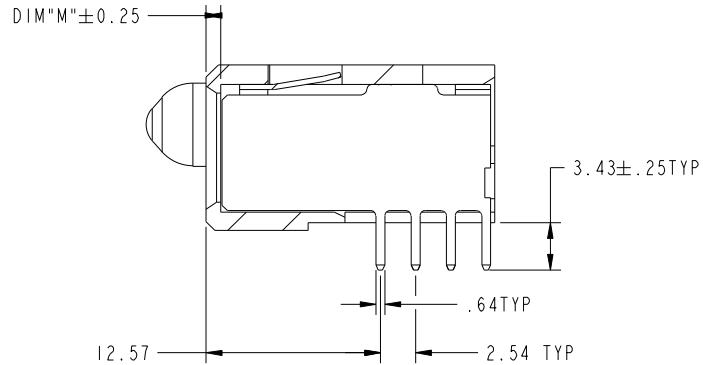
SECTION D-D



SECTION E-E



SECTION B-B
SCALE 2:1



SECTION C-C
SCALE 2:1

mat'l code		SEE NOTE 2		tolerances unless otherwise specified		CUSTOMER		www.fciconnect.com	
ltr	ecn no.	dr	date	linear	0.X ±0.5	COPY		title	
C					0.XX ±0.25			6P + 16S + 3ACP R/A STB RECEPTACLE	
				angles	0.XXX ±0.10			product family PwrBlade code 213	
				dr	JM Guo 06/24/05	scale		size dwg no 51915-080 sheet 2	
				enr	SLUO 06/24/05	1:1			
				chr	VICTOR LIN 06/24/05				
				appd	JOSEPH HSIA 06/24/05				
sheet index	revision sheet								

cage code 22526

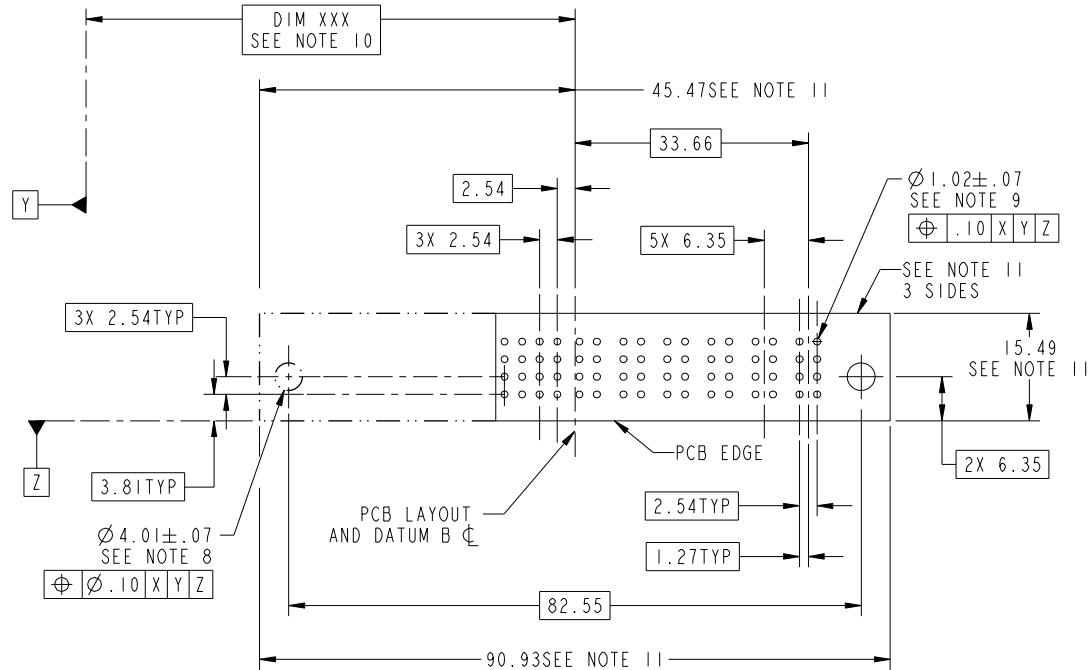
Pro/E

Tous droits strictement reserves. Reproduction ou communication a des tiers interdite sous quelque forme que ce soit sans autorisation écrite du propriétaire. Propriete de c FCI. Droits de reproduction FCI.



All rights strictly reserved. Reproduction or issue to third parties in any form whatever is not permitted without written authority from the proprietor. Property of FCI. Copyright FCI.

PRODUCT NUMBER
51915-080_-
NOTE: 3



mat'l code				SEE NOTE 2		tolerances unless otherwise specified		CUSTOMER		FCI www.fciconnect.com	
ltr	ecn no.	dr	date	linear	0.X ± 0.5	projection	COPY		title		
C					0.XX ± 0.25				6P + 16S + 3ACP R/A STB RECEPTACLE		
				angles	0.XXX ± 0.10		product family		PwrBlade	code	
				dr	JM Guo 06/24/05	scale	size		A	213	
				enrg	SLUO 06/24/05	1:1	dwg no		51915-080		
				chr	VICTOR LIN 06/24/05		sheet		3		
				appd	JOSEPH HSIA 06/24/05		sheet		3		
sheet index	revision sheet										

cage code 22526

Pro/E

Tous droits strictement reserves. Reproduction ou communication a des tiers interdite sous quelque forme que ce soit sans autorisation écrite du propriétaire. Propriete de c FCI. Droits de reproduction FCI.



All rights strictly reserved. Reproduction or issue to third parties in any form whatever is not permitted without written authority from the proprietor. Property of FCI. Copyright FCI.

PRODUCT NUMBER
51915-080--
NOTE: 3

NOTES:

1. DIMENSIONS AND TOLERANCES ARE IN ACCORDANCE WITH ASME Y14.5M, 1994 UNLESS OTHERWISE SPECIFIED.

CONNECTOR NOTES:

- 2. HOUSING MATERIAL: UL 94 V-0 GLASS FILLED
HIGH-TEMP THERMOPLASTIC
POWER CONTACT MATERIAL: COPPER ALLOY
SIGNAL PIN MATERIAL: COPPER ALLOY
- 3. PLATING:
SEE ITEM 5 & 6 IN PRINT 10064183 FOR PLATING SPEC OF 51915-080; 51915-080LF PRESPECTIVELY
- 4. MANUFACTURER'S NAME, P/N, AND DATE CODE TO APPEAR ON THIS SURFACE.
- 5. PRODUCT SPECIFICATION GS-12-149.
APPLICATION SPECIFICATION BUS-20-067.
- 6. PACKAGED IN TRAYS.

PCB NOTES:

- 7. ALL HOLE DIAMETERS ARE FINISHED HOLE SIZE.
- 8. MOUNTING HOLES, WHERE APPLICABLE, ARE UNPLATED.
- 9. $\varnothing 1.151 \pm 0.025$ DRILLED HOLES PLATED WITH 0.008 MIN SnPb OR Sn OVER 0.03 TO 0.08 Cu PLATING TO ACHIEVE $\varnothing 1.02 \pm 0.07$ HOLE.
- 10. "DIM XXX" TO BE DETERMINED BY THE CUSTOMER.
- 11. CONNECTOR KEEP-OUT ZONE.
- 12. A \triangle SYMBOL WILL BE NEXT TO ANY DIMENSION, VIEW, OR NOTE WHICH HAS BEEN MODIFIED WITH THE CURRENT DRAWING REVISION.
- 13. THE VOID CORING IN BETWEEN POWER MODULES, SIGNAL MODULES AND END MODULES ARE OPTIONAL AND THE SHAPE MAY BE DIFFERENT FOR OPTIMIZING THE MOLDING PROCESS. THE VOID CORING WILL NOT EFFECT TO PRODUCT FUNCTION.

mat'l code				SEE NOTE 2		tolerances unless otherwise specified		CUSTOMER		FCJ www.fciconnect.com	
litr	ecr no.	dr	date	linear	0.X ± 0.5		COPY		projection	title	
C					0.XX ± 0.25		MIM			6P + 16S + 3ACP R/A STB RECEPTACLE	
					0.XXX ± 0.10		← MIM →			product family PwrBlade code	
				angles	0° ± 2°		scale		size		
				dr	JM Guo	06/24/05	1:1		dwg no		
				enrg	SLUO	06/24/05	A		51915-080		
				chr	VICTOR LIN	06/24/05			sheet		
				appd	JOSEPH HSIA	06/24/05			4		
sheet index	revision sheet										

cage code 22526

Pro/E