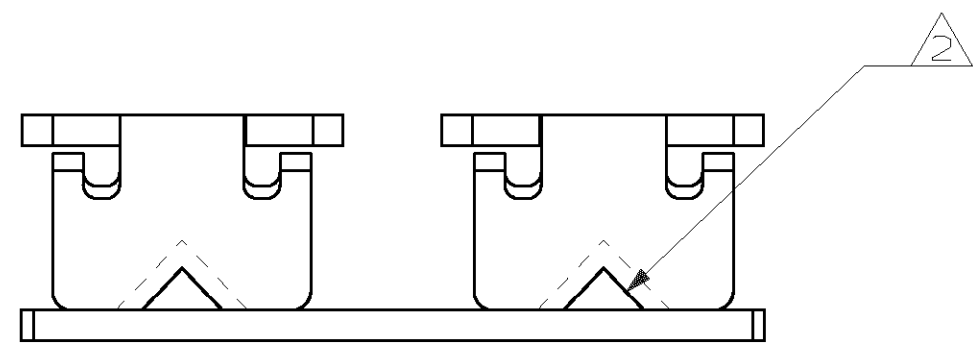
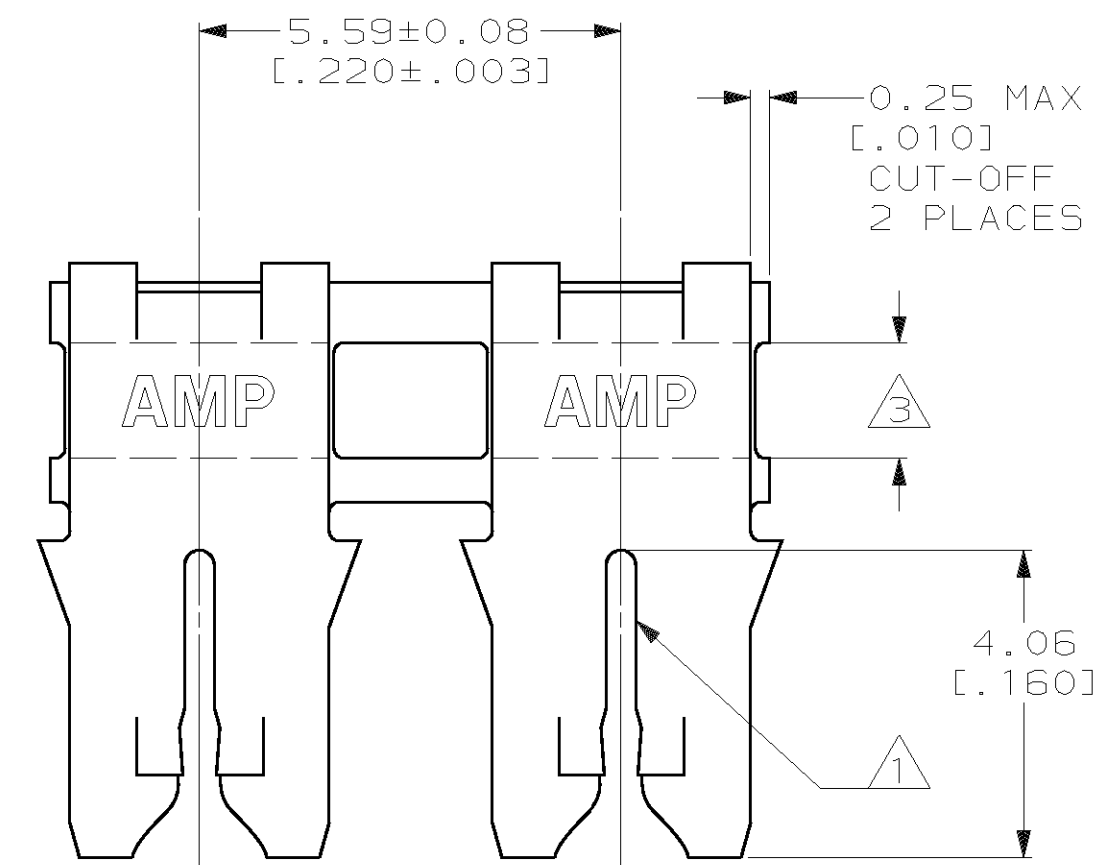
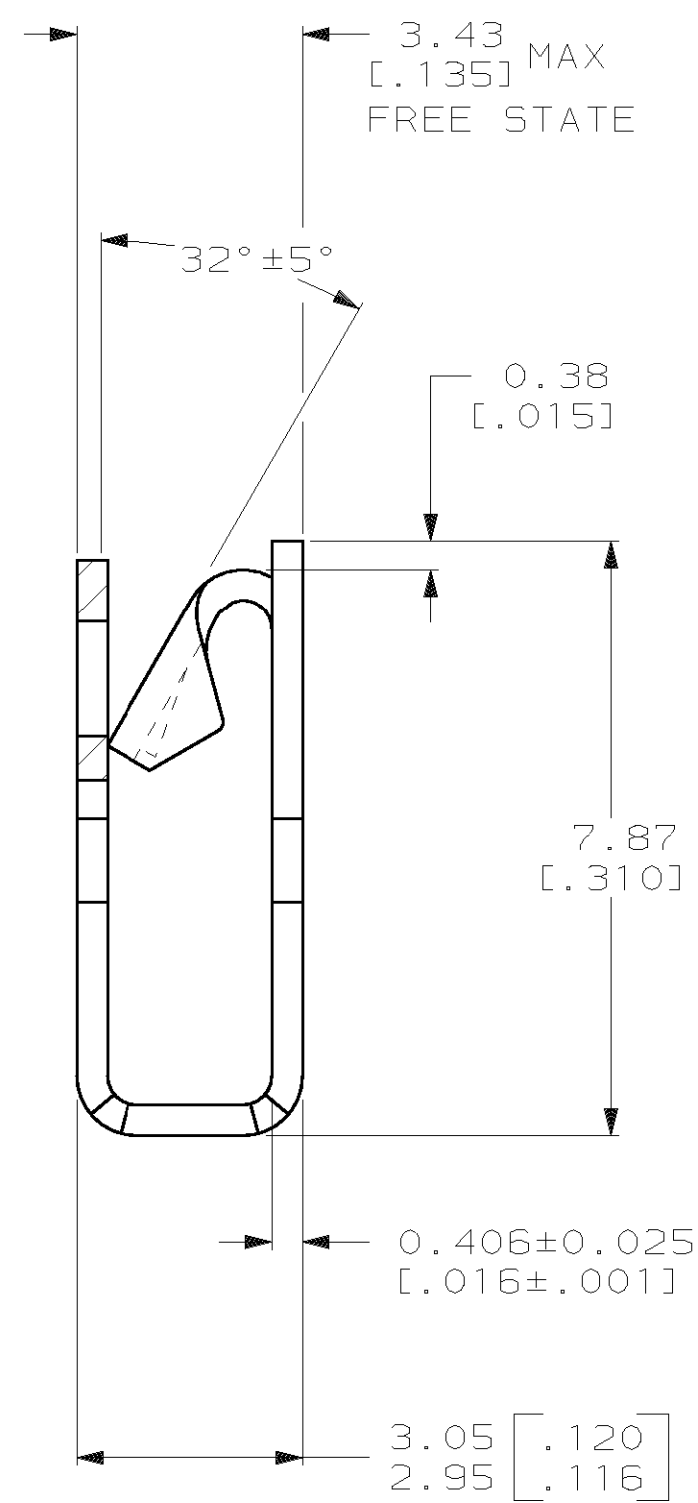
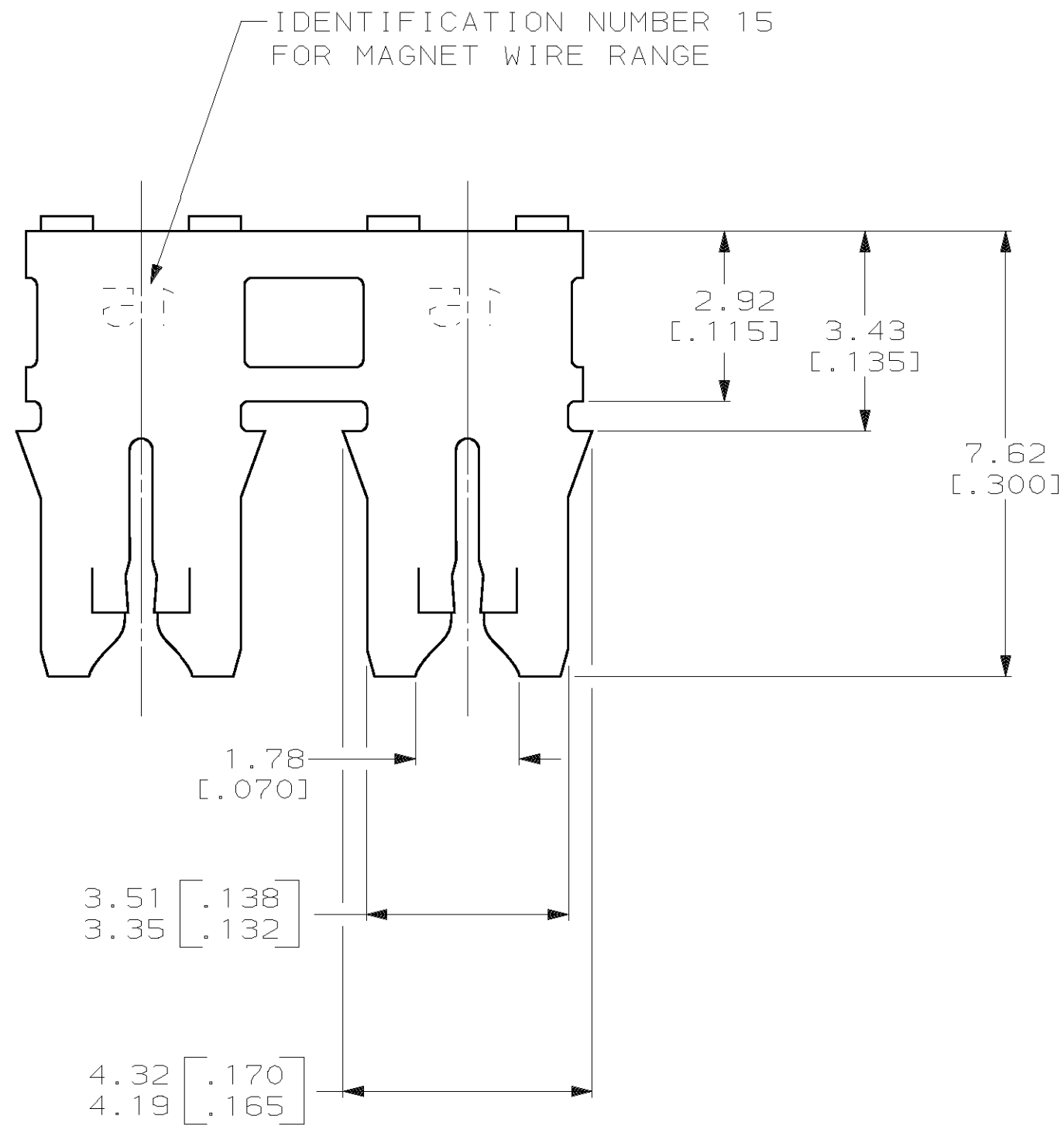


LOC		DIST		P		F		ZONE		LTR		REVISIONS		DATE	APPD
AF		50								C		REVISED PER 063A-0451-00		24JUL00	MF-KR



- ① SLOT ACCEPTS 0.64-0.81mm [#22-#20] AWG COPPER MAGNET WIRE. A SINGLE WIRE ONLY.
- ② POKE-IN ACCEPTS A 0.81-1.02mm² [#20-#18] AWG SOLID OR FUSED STRANDED LEAD WIRE.
- ③ BLACK COLOR STRIPE TO BE APPLIED TO THIS SURFACE DURING LOOSE PIECE OPERATION TO PROVIDE COLOR CODING OF MAGNET WIRE RANGE.



62841-1
 PART NO

DO NOT SCALE PRINT. UNLESS SPECIFIED DIMENSIONS IN mm [INCHES] TOLERANCES ON: 2 PLC DEC ± 0.25 [.010] 3 PLC DEC ± - ANGLES ± -	DR 26/MAY/94 R.R. BUCHHEISTER JR.	AMP Incorporated Harrisburg, PA 17105-3608	
	CHK 31/MAY/94 MICHAEL S. FEHER		
MATERIAL 4M BRASS	APPD 31/MAY/94 NELSON E. NEFF	TERMINAL, POKE-IN, DUAL LOOSE PIECE, 300 SERIES MAG-MATE™	
FINISH 0.002032 [.000080] MIN TIN PLATE	APPD 31/MAY/94 TERRY L. SHUTTER	SIZE	CAGE CODE
	PRODUCT SPEC 108-2021	③ 00779	③=62841
	APPLICATION SPEC 114-2046	SCALE 10:1	SHEET 1 OF 1
	WEIGHT -		

THIS DRAWING IS A CONTROLLED DOCUMENT FOR AMP INCORPORATED. IT IS SUBJECT TO CHANGE AND THE CONTROLLING ENGINEERING ORGANIZATION SHOULD BE CONTACTED FOR THE LATEST REVISION.