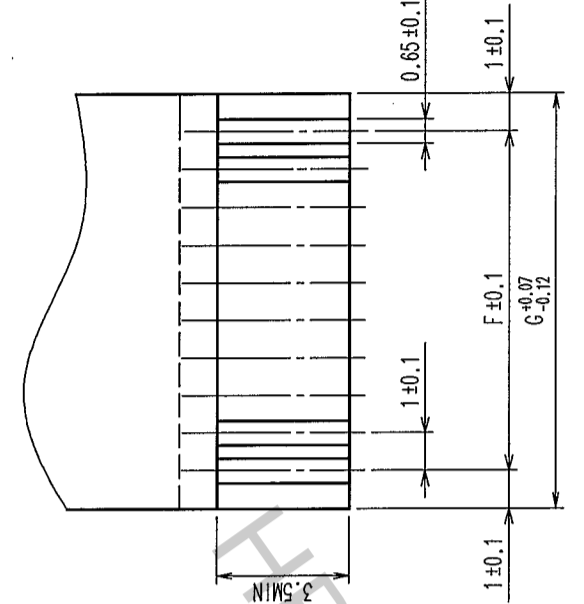
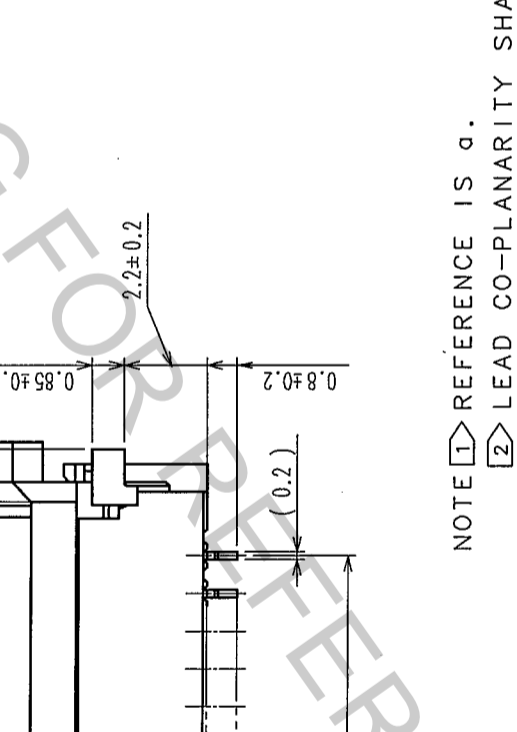


COUNT	DESCRIPTION OF REVISIONS	BY	CHKD	DATE	COUNT	DESCRIPTION OF REVISIONS	BY	CHKD	DATE
△				..	△				..
△				..	△				..
△				..	△				..

RECOMMENDED FPC, FFC(FREE)

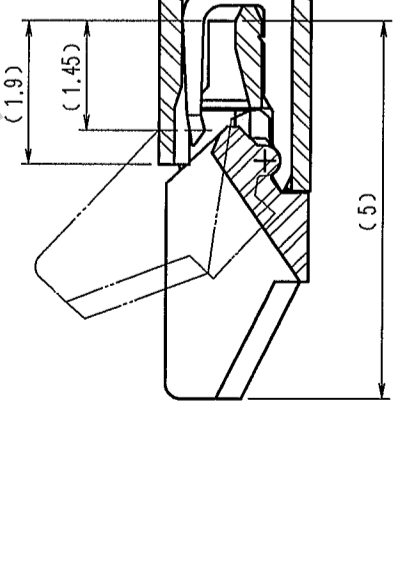


RECOMMENDED LAND PATTERN, METAL MASK(FREE)



RECOMMENDED METAL MASK THICKNESS: t = 0.15

- NOTE ① REFERENCE IS a.
 ② LEAD CO-PLANARITY SHALL BE 0.1 MAX.
 ③ THICKNESS OF SUPPORTING TAPE SHALL BE 0.188(7.5mil) MIN.



PPS	(DEEP BROWN) UL94V-0	4	BRASS	TIN PLATING 1µm MIN, OVER NICKEL 1µm MIN.	
1	POLYAMIDE (BEIGE) UL94V-0	3	PHOSPHOR BRONZE	GOLD PLATING FLASH OVER NICKEL 1µm MIN.	
NO.	MATERIAL	FINISH, REMARKS	NO.	MATERIAL	FINISH, REMARKS
CODE NO. (OLD) CL?		DRAWN D. YAMADA	DESIGNED T. MURAI	CHECKED T. Kuwata	APPROVED R. Takayanagi
		04.06.10	04.06.10	04.06.11	04.06.14

TO	
NC	

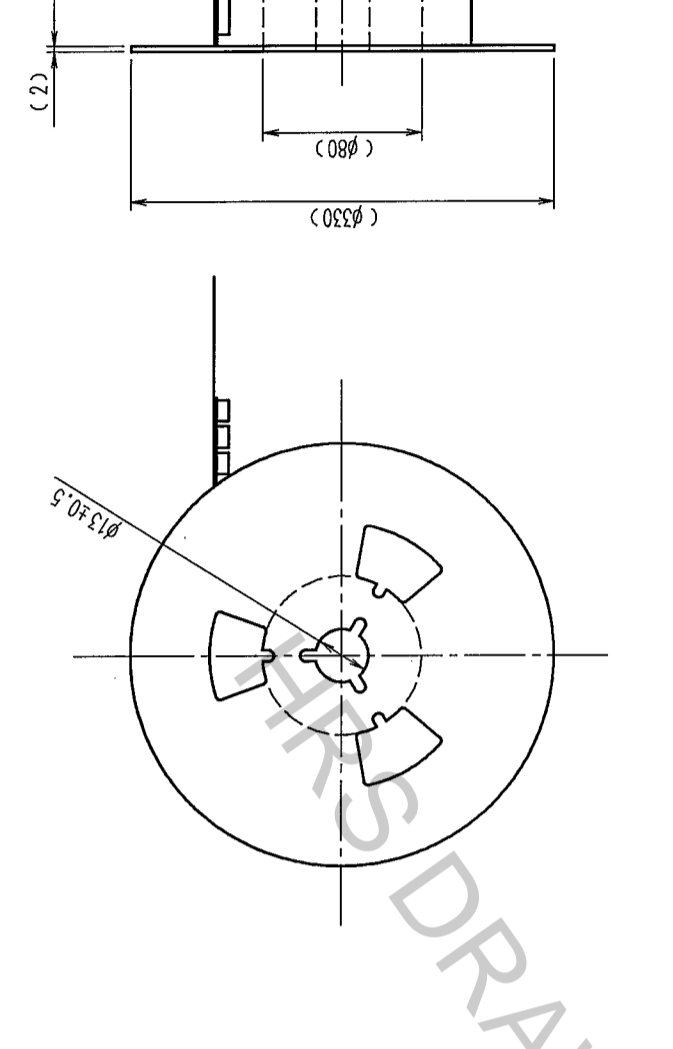
DRAWING NO. EDC3-151440-51
 SCALE 5 : 1
 UNITS mm

PART NO. FH12A-**S-1SH(55)
 CODE NO. CL586

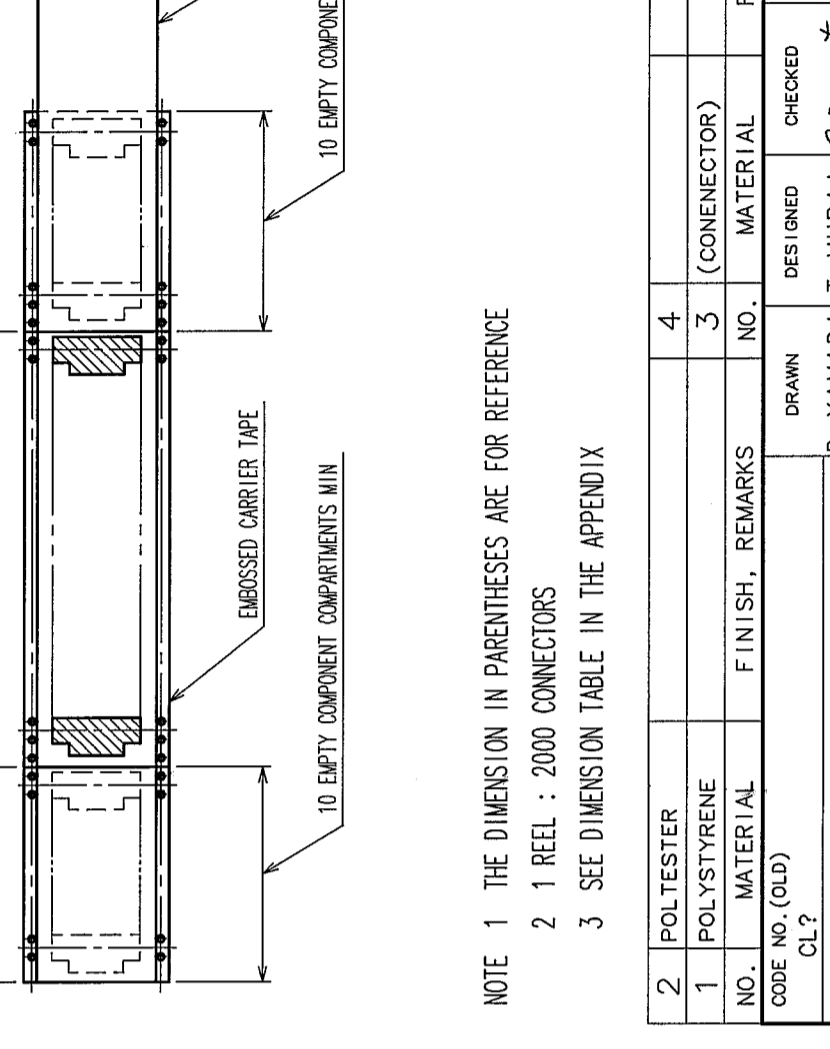
COUNT	DESCRIPTION OF REVISIONS	BY	CHKD	DATE	COUNT	DESCRIPTION OF REVISIONS	BY	CHKD	DATE

TO	NC		

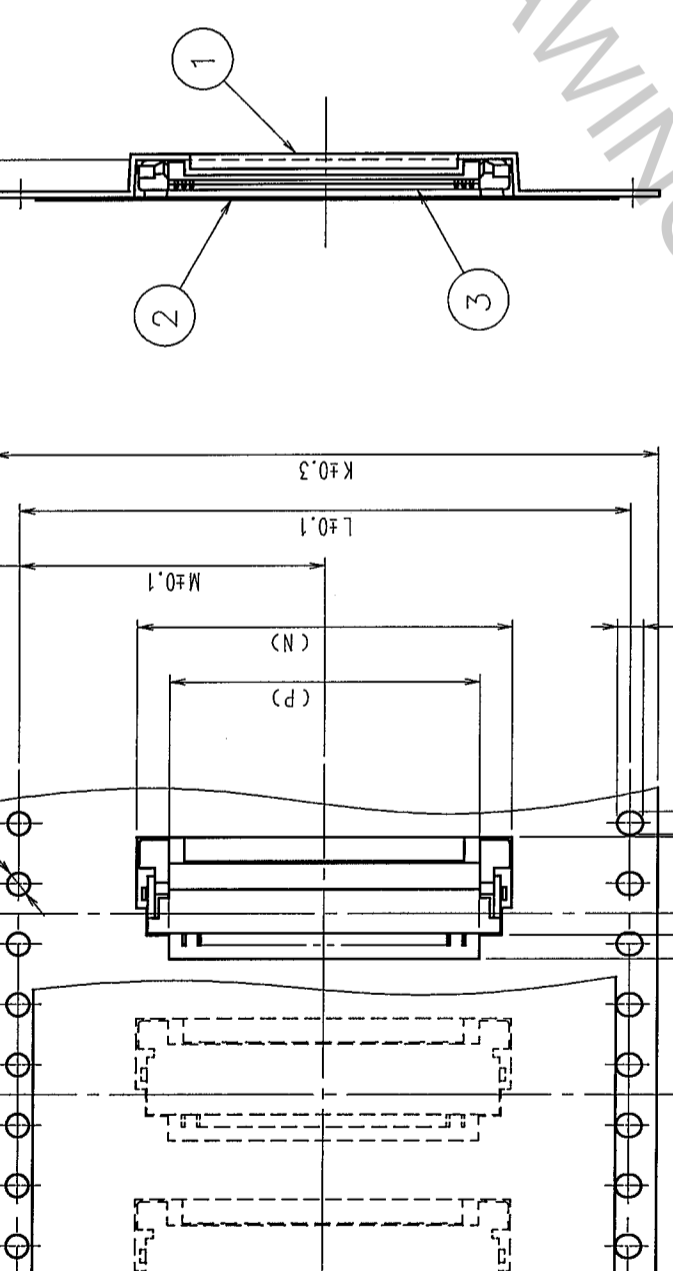
TAPE WIDTH: 32mm MIN



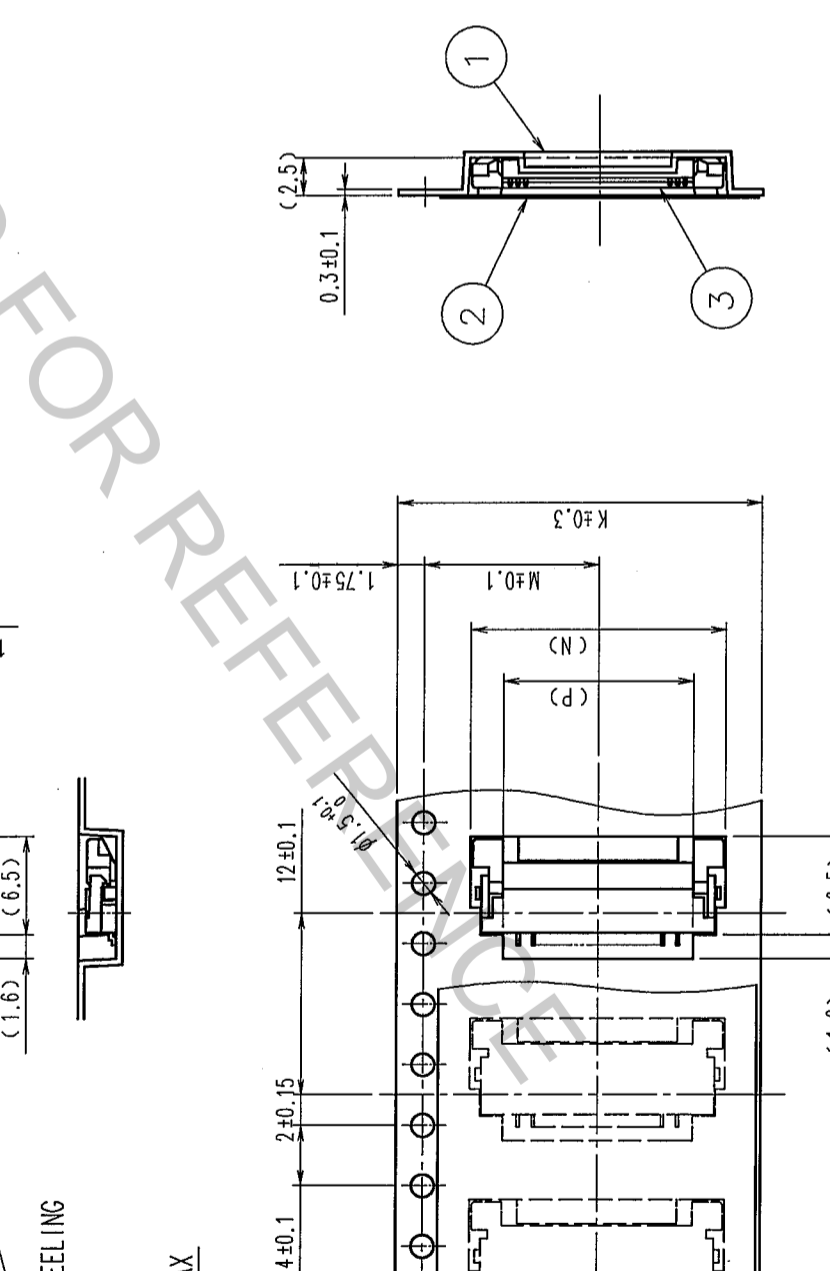
TAPE WIDTH: 24mm MAX



REEL DIMENSION (FREE)



DIRECTION OF UNREELING



DIRECTION OF UNREELING

- NOTE 1 THE DIMENSION IN PARENTHESES ARE FOR REFERENCE
 2 1 REEL : 2000 CONNECTORS
 3 SEE DIMENSION TABLE IN THE APPENDIX

NO.	MATERIAL	FINISH, REMARKS	NO.	MATERIAL	FINISH, REMARKS
2	POLYESTER		4		
1	POLYSTYRENE		3	(CONNECTOR)	

CODE NO. (OLD)	CL?	DRAWN	DESIGNED	CHECKED	APPROVED	RELEASED
		D. YAMADA	T. MURAI	J. Kuwata	R. Nagayori	
		04.06.10	04.06.10	04.06.11	04.06.14	

DRAWING NO.	PART NO.
EDC3-151440-51	FH12A-**S-1SH(55)

SCALE	UNITS	CODE NO.
2 : 1	mm	CL586

1		2			3			4		
COUNT	DESCRIPTION OF REVISIONS	BY	CHKD	DATE	COUNT	DESCRIPTION OF REVISIONS	BY	CHKD	DATE	
△					△					
△					△					
△					△					

DIMENSION TABLE OF CONNECTOR, FPC, FFC, LAND PATTERN AND METAL MASK

PART NO.	CODE NO.	1▷	A	B	C	D	E	F	G	H	J
FH12A-16S-1SH(55)	CL586-0583-8-55	16	19.85	21	17.07	20.6	17.7	15	17	21.6	18
FH12A-22S-1SH(55)	CL586-0727-6-55	22	25.85	27	23.07	26.6	23.7	21	23	27.6	24

DIMENSION TABLE OF DRAWING FOR PACKING

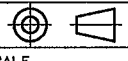

PART NO.	CODE NO.	1▷	K	L	M	N	P	Q
FH12A-16S-1SH(55)	CL586-0583-8-55	16	32	28.4	14.2	21.3	17	32.5
FH12A-22S-1SH(55)	CL586-0727-6-55	22	44	40.4	20.2	27.3	23	44.5

1▷ NUMBER OF CONTACTS

2		4
1		3
NO.	MATERIAL	FINISH, REMARKS

CODE NO. (OLD) CL?	DRAWN D.YAMADA 04.06.10	DESIGNED T.MURAI 04.06.10	CHECKED <i>J. Kuwata</i> 04.06.11	APPROVED <i>R. Takayanagi</i> 04.06.14	RELEASED
-----------------------	-------------------------------	---------------------------------	---	--	----------

TO
NC

 SCALE : UNITS : mm	DRAWING NO. EDC4-151440-51  HIROSE ELECTRIC CO., LTD.	PART NO. FH12A-**S-1SH(55) CODE NO. CL586
--	--	--

