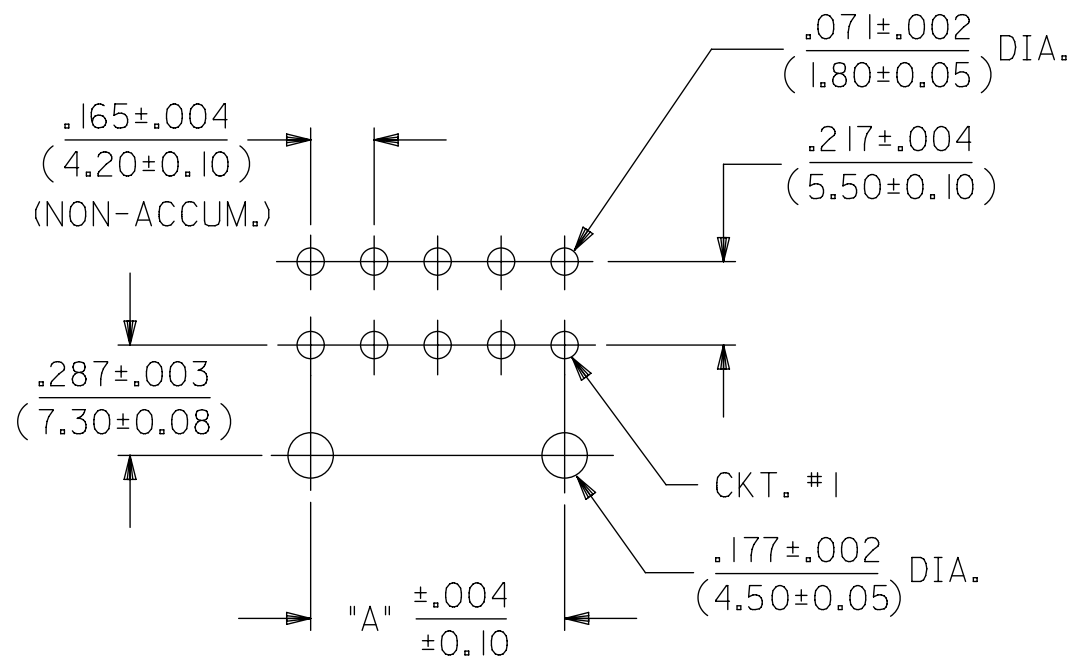
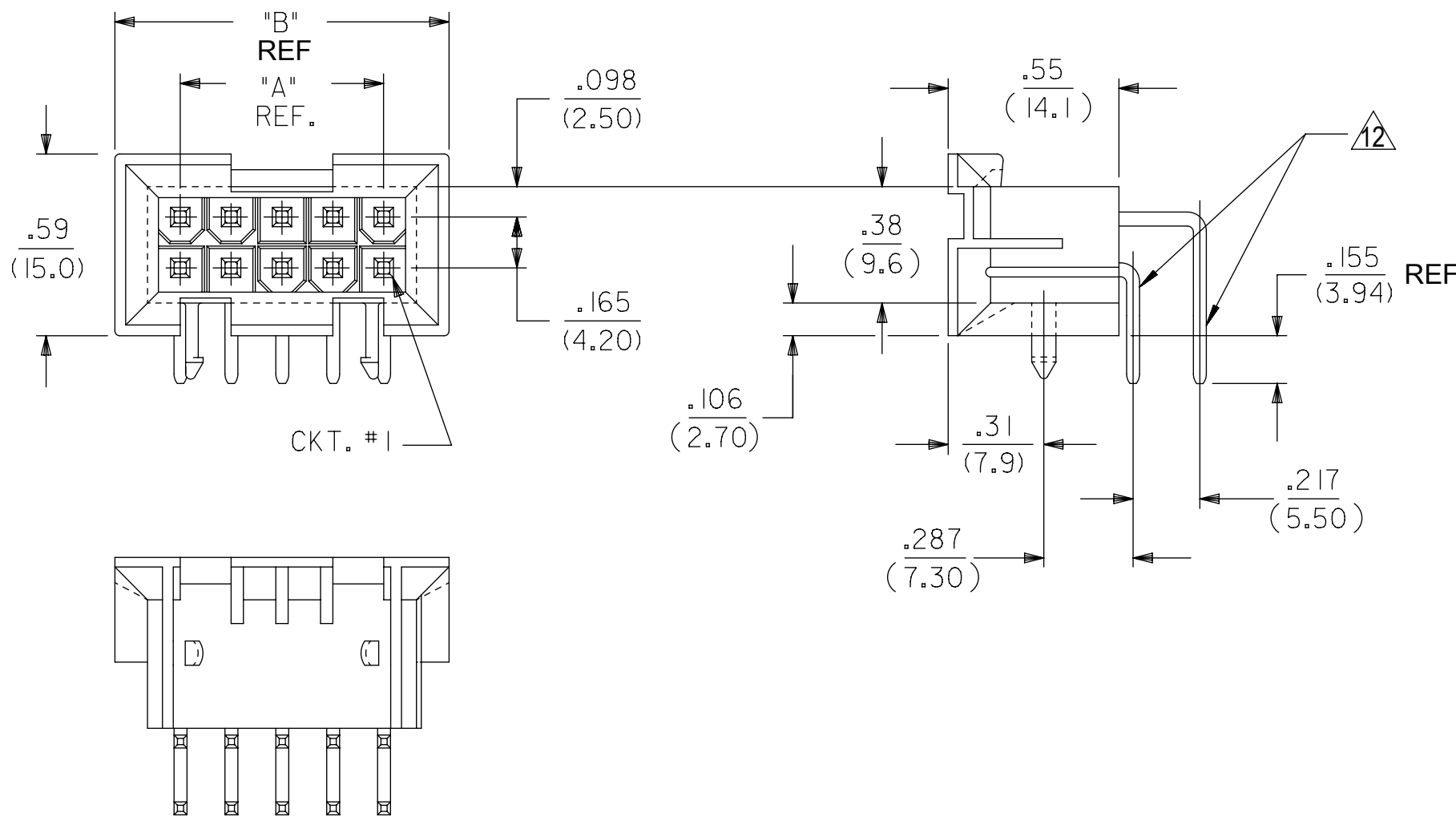
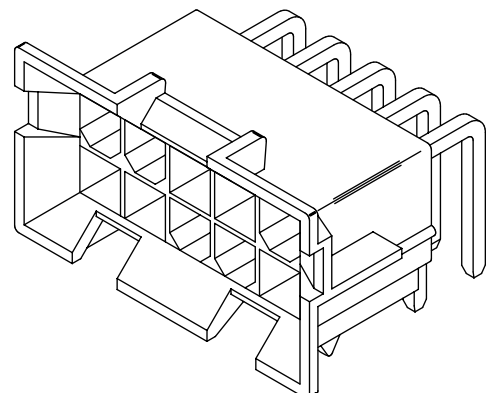


CIRCUIT SIZE	DIM. "A"	DIM. "B"
6	.331 (8.40)	.76 (19.2)
8	.496 (12.60)	.92 (23.4)
10	.661 (16.80)	1.09 (27.6)
12	.827 (21.00)	1.25 (31.8)
14	.992 (25.20)	1.42 (36.0)
16	1.157 (29.40)	1.58 (40.2)
18	1.323 (33.60)	1.75 (44.4)
20	1.488 (37.80)	1.91 (48.6)
22	1.654 (42.00)	2.08 (52.8)
24	1.819 (46.20)	2.24 (57.0)



9 RECOMMENDED HOLE LAYOUT FOR .101/(2.56) MAX. THICK P.C. BOARD (VIEWED FROM COMPONENT SIDE)



43644****

- NOTES:
- HOUSING MATERIAL:
1 = NYLON 6/6, U.L. 94V-0, COLOR: NATURAL.
TERMINAL MATERIAL: BRASS ALLOY.
 - TERMINAL PLATING:
1 = .000100/(.00254) MIN. MATTE TIN OVER
.000050/(.00127) MIN. NICKEL OVERALL.
2 = .000030/(.00076) MIN. SELECT GOLD
.000100/(.00254) MIN. SELECT MATTE TIN OVER
.000050/(.00127) MIN. NICKEL OVERALL.
 - PRODUCT SPECIFICATION: PS-5556-002
 - PACKAGING SPECIFICATION: PK-42404-002
 - 4 - 24 CKT. PARTS MATE WITH MINI-FIT JR. RECEPTACLES #5557, #42385, #44516 AND #42474. 2 CKT. PART MATES WITH #42385, #44516 AND #42474 ONLY.
 - PART ALLOWS FOR UP TO .100/(2.54) MISALIGNMENT WITH MATING RECEPTACLE IN ANY DIRECTION. SEE MATING CONNECTOR DRAWINGS FOR SPECIFIC ALLOWANCES.
 - DISCOLORATION IN THE BANDOLIER CARRIER AREA OF THE PIN IS INHERENT TO THE PLATING PROCESS AND IS DUE TO THE MASKING EFFECT OF THE CARRIER. THIS DISCOLORATION IS IN A NON-FUNCTIONAL AREA OF THE PIN AND WILL NOT AFFECT THE PERFORMANCE OF THE HEADER ASSEMBLY.
 - CONNECTOR ASSEMBLIES ARE NOT TO BE MATED OR UNMATED WHILE CIRCUITS ARE LIVE.
 - THIS HOLE PATTERN DOES NOT PROVIDE FOR LOCKING THE HOUSING TO THE P.C. BOARD
 - ITEM NUMBERS PRECEDED BY AN "X" ARE NOT TOOLED.
 - THIS PART CONFORMS TO CLASS B REQUIREMENTS OF COSMETIC SPECIFICATION PS-45499-002.
 - FORMING MARKS ARE ACCEPTABLE

QUALITY SYMBOLS		THIS DRAWING CONTAINS INFORMATION THAT IS PROPRIETARY TO MOLEX ELECTRONIC TECHNOLOGIES, LLC AND SHOULD NOT BE USED WITHOUT WRITTEN PERMISSION			
▽ = 0	ADD REF TO TAIL DIM EC NO: 106700 DRWN: CSLAFTER CHKD: JBELL REV APPR: FSMITH	GENERAL TOLERANCES (UNLESS SPECIFIED)		DIMENSION UNITS	SCALE
▽ = 0		MM	INCH	IN/MM	2:1
▽ = 0		4 PLACES ±	±	DRWN BY	DATE
▽ = 0		3 PLACES ±	±	ADRATNOL	2005/12/05
▽ = 0		2 PLACES ±	0.25 ±	CHK'D BY	DATE
▽ = 0		1 PLACES ±	0.38 ±	GPOLGAR	2005/12/05
▽ = 0		0 PLACES ±	±	APPR BY	DATE
▽ = 0		ANGULAR TOL = 0.5		FSMITH	2012/11/06
▽ = 0		DRAFT WHERE APPLICABLE MUST REMAIN WITHIN DIMENSIONS		DRAWING SIZE	THIRD ANGLE PROJECTION
▽ = 0		A3	C		
RELEASE STATUS		P1	RELEASE DATE	22.07.2016	15:33:20

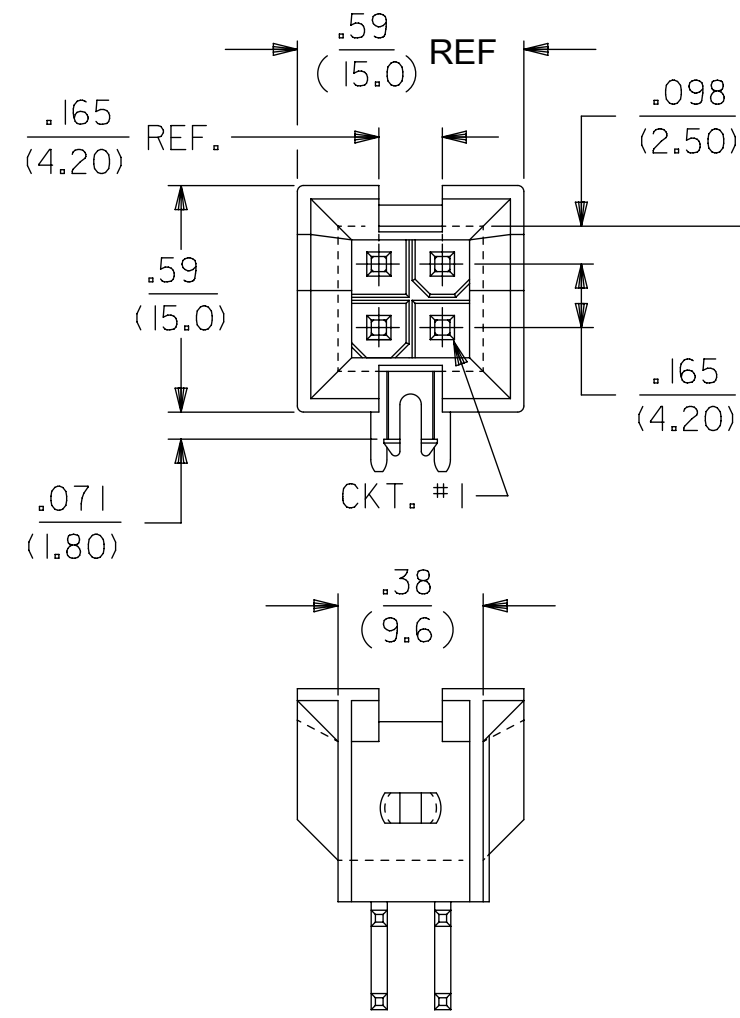
molex

MINI-FIT JR BMI RIGHT ANGLE HDR ASSY FOR .094/(2.40) PCB

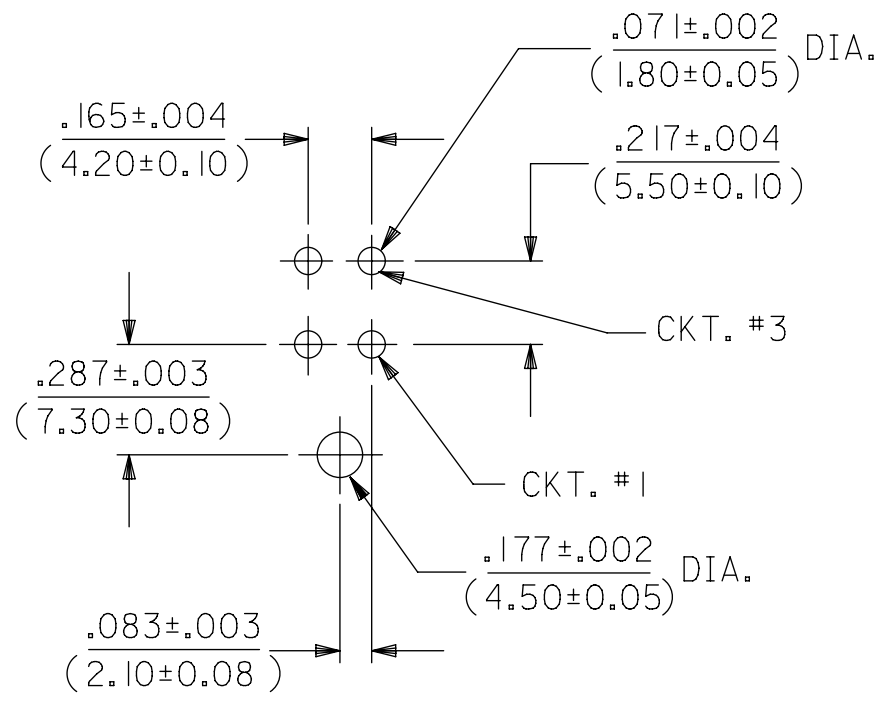
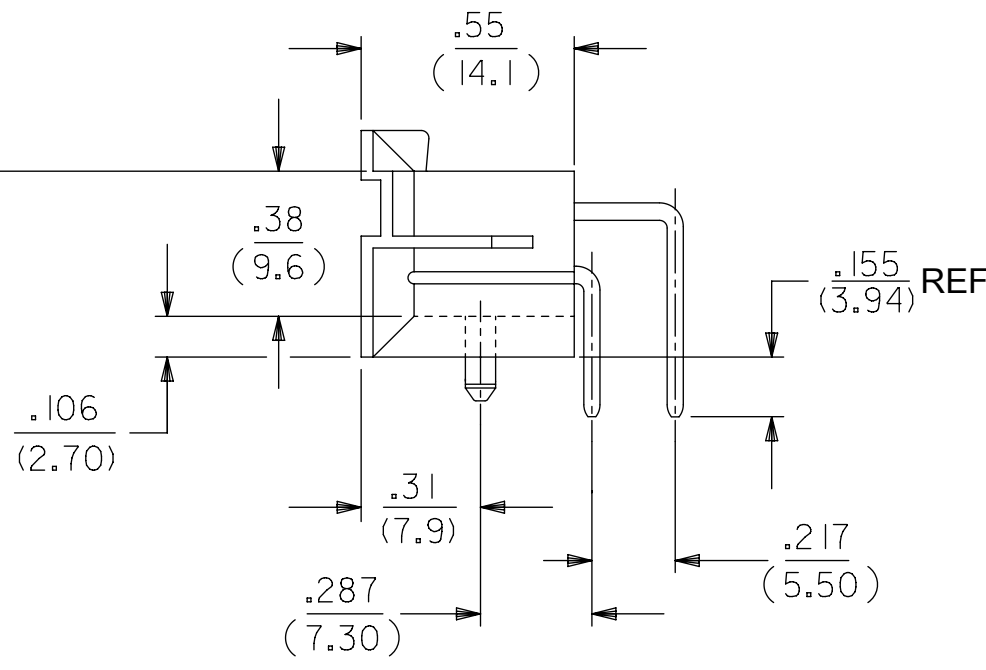
PRODUCT CUSTOMER DRAWING

SERIES: 43644 MATERIAL NUMBER: SEE CHART CUSTOMER: GENERAL MARKET

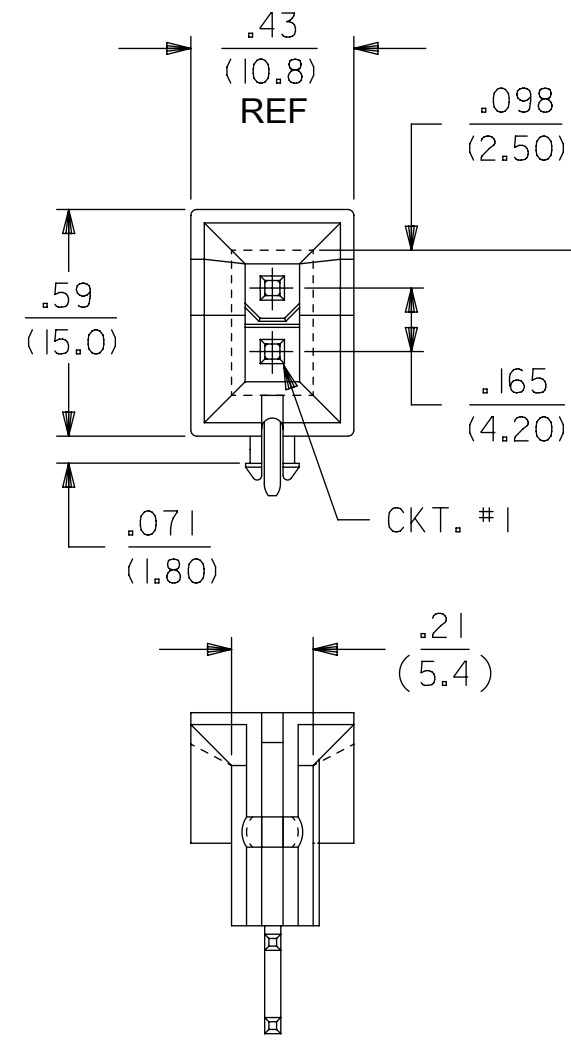
DOCUMENT NUMBER: SD-43644-002 DOC TYPE: PSD DOC PART: 000 SHEET NUMBER: 1 OF 3



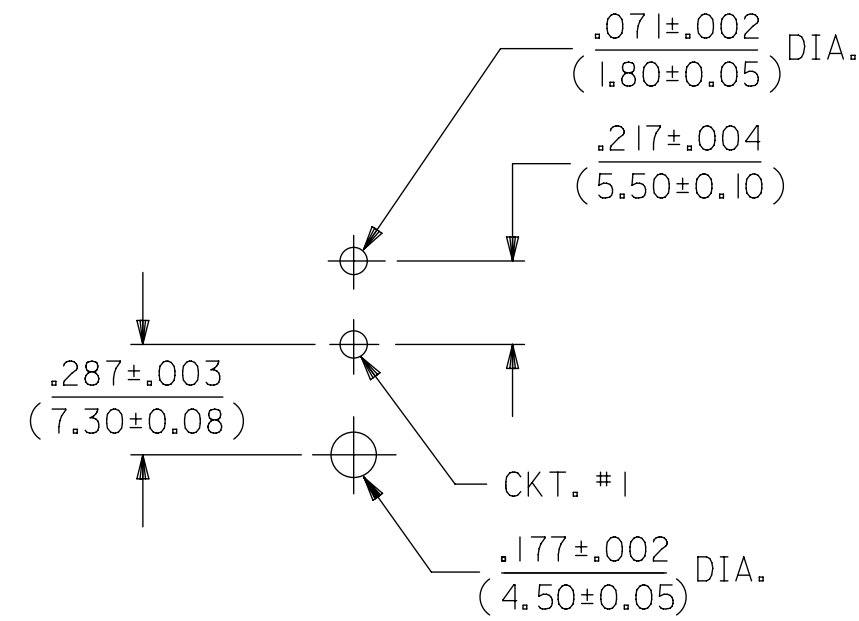
4 CIRCUIT ASSEMBLY



RECOMMENDED HOLE LAYOUT FOR
.101/(2.56) MAX. THICK P.C. BOARD
(VIEWED FROM COMPONENT SIDE)



2 CIRCUIT ASSEMBLY



RECOMMENDED HOLE LAYOUT FOR
.101/(2.56) MAX. THICK P.C. BOARD
(VIEWED FROM COMPONENT SIDE)

QUALITY SYMBOLS 	THIS DRAWING CONTAINS INFORMATION THAT IS PROPRIETARY TO MOLEX ELECTRONIC TECHNOLOGIES, LLC AND SHOULD NOT BE USED WITHOUT WRITTEN PERMISSION										
	ADD REF TO TAIL DIM EC NO: 106700 DRWN: CSLAFTER CHKD: JBELL APPR: FSMITH	GENERAL TOLERANCES (UNLESS SPECIFIED)		DIMENSION UNITS IN/MM		SCALE 1:1					
		MM	INCH	DRWN BY ADRATNOL		DATE 2005/12/05					
		4 PLACES ± ± 3 PLACES ± ± 2 PLACES ± 0.25 ± 1 PLACES ± 0.38 ± 0 PLACES ± ±		ANGULAR TOL = 0.5		CHK'D BY GPOLGAR		DATE 2005/12/05		PRODUCT CUSTOMER DRAWING	
DRAFT WHERE APPLICABLE MUST REMAIN WITHIN DIMENSIONS		C		DRAWING SIZE C		THIRD ANGLE PROJECTION		SERIES: 43644 MATERIAL NUMBER: SEE CHART CUSTOMER: GENERAL MARKET			
								DOCUMENT NUMBER: SD-43644-002 DOC TYPE: PSD DOC PART: 000 SHEET NUMBER: 2 OF 3			

ITEM NUMBER	CKT SIZE	HOUSING MATERIAL	PLATING (SEE NOTE 2)
	02		
	04		
	06		
	08		
	10		
	12		
	14		
	16		
	18		
	20		
	22		
	24		

ITEM NUMBER	CKT SIZE	HOUSING MATERIAL	PLATING (SEE NOTE 2)
X 43644-0001	02	94V-0	MATTE TIN OVER NICKEL
X -0002	04		
X -0003	06		
X -0004	08		
X -0005	10		
X -0006	12		
X -0007	14		
X -0008	16		
X -0009	18		
X -0010	20		
X -0011	22		
43644-0012	24	94V-0	MATTE TIN OVER NICKEL

ITEM NUMBER	CKT SIZE	HOUSING MATERIAL	PLATING (SEE NOTE 2)
X 43644-0013	02	94V-0	30 M.I. GOLD
X -0014	04		
X -0015	06		
X -0016	08		
X -0017	10		
X -0018	12		
X -0019	14		
X -0020	16		
X -0021	18		
X -0022	20		
X -0023	22		
X 43644-0024	24	94V-0	30 M.I. GOLD

RELEASE STATUS	P1	RELEASE DATE	22.07.2016	15:33:20
12		11		10
9		8		7
6		5		4
3		2		1

QUALITY SYMBOLS 		THIS DRAWING CONTAINS INFORMATION THAT IS PROPRIETARY TO MOLEX ELECTRONIC TECHNOLOGIES, LLC AND SHOULD NOT BE USED WITHOUT WRITTEN PERMISSION	
ADD REF TO TAIL DIM EC NO: 106700 DRWN: CSLAFTER CHKD: JBELL REV APPR: FSMITH		2016/07/15 2016/07/15 2016/07/22	
GENERAL TOLERANCES (UNLESS SPECIFIED)		DIMENSION UNITS: IN/MM SCALE: 1:1	
4 PLACES ± 3 PLACES ± 2 PLACES ± 0.25 1 PLACES ± 0.38 0 PLACES ±		DRWN BY: ADRATNOL DATE: 2005/12/05 CHK'D BY: GPOLGAR DATE: 2005/12/05 APPR BY: FSMITH DATE: 2012/11/06	
ANGULAR TOL = 0.5 DRAFT WHERE APPLICABLE MUST REMAIN WITHIN DIMENSIONS		DRAWING SIZE: C THIRD ANGLE PROJECTION	
A3		molex MINI-FIT JR BMI RIGHT ANGLE HDR ASSY FOR .094(2.40) PCB	
PRODUCT CUSTOMER DRAWING		SERIES: 43644 MATERIAL NUMBER: SEE CHART CUSTOMER: GENERAL MARKET	
DOCUMENT NUMBER: SD-43644-002		DOC TYPE: PSD DOC PART: 000 SHEET NUMBER: 3 OF 3	