

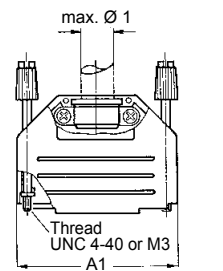


## Top and side entry hoods with knurled screws

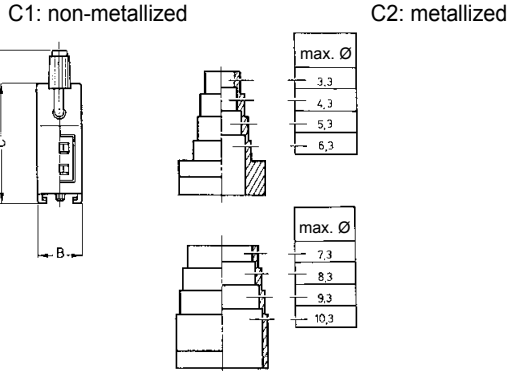
D-Sub

Identification      No. of contacts      Part number      Drawing      Dimensions in mm

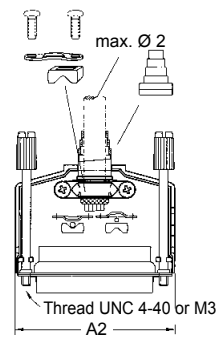
<b>Top entry hood</b> Black thermoplastic	9	09 67 009 042
Please insert digit for screw option	15	09 67 015 042
	25	09 67 025 042
	37	09 67 037 042
	50	09 67 050 042
Knurled screw, thread 4-40 UNC ▶ 4		
Knurled screw, thread M3 ▶ 6		



	A1	A2	B	C1	C2	max. Ø 1	max. Ø 2
9	31.5	32.5	15	34	38	8.0	11.5
15	40.0	41.0	15	34	38	11.5	11.5
25	53.5	54.5	15	40	40	11.5	11.5
37	71.0	71.0	15	40	40	11.5	11.5
50	67.5		19	40		14.0	

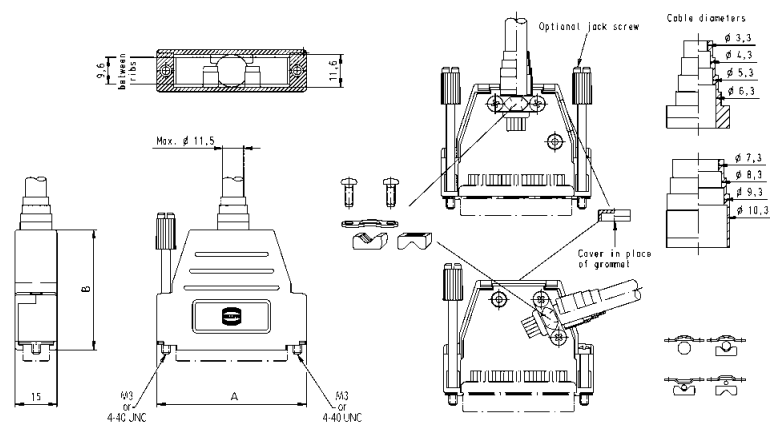


<b>Top entry hood</b> Metallized thermoplastic	9	09 67 009 042
Please insert digit for screw option	15	09 67 015 042
	25	09 67 025 042
	37	09 67 037 042
Knurled screw, thread 4-40 UNC ▶ 5		
Knurled screw, thread M3 ▶ 7		



Cut appropriate cable entry to fit actual cable diameter

<b>Top and side entry hood</b> Black thermoplastic	9 <sup>3)</sup>	09 67 009 043
Please insert digit for screw option	15	09 67 015 043
	25	09 67 025 043
	37 <sup>1)</sup>	09 67 037 043
Knurled screw, thread 4-40 UNC ▶ 4		
Knurled screw, thread M3 ▶ 0		



	A	B
9	31.5	40
15	40.0	40
25	53.5	43
37	71.3	40

<b>Top and side entry hood</b> Metallized thermoplastic	9 <sup>3)</sup>	09 67 009 043
Please insert digit for screw option	15	09 67 015 043
	25 <sup>2)</sup>	09 67 025 043
	37 <sup>1)</sup>	09 67 037 043
Knurled screw, thread 4-40 UNC ▶ 5		
Knurled screw, thread M3 ▶ 1		

- 37-pole is only available with side entry and with knurled screw, thread 4-40 UNC
- Cable clamp kit for two outputs is available as accessories (it includes: screw, metal clamp, plastic insert and grommet). With Part number 09 67 001 9988 ten of these kits are delivered.
- 9-pole hood provided with only one screw on the opposite side of the cable entry.