

## Sensor/Actuator cable - SAC-5P-10,0-431/MINFR PWR - 1443598

Please be informed that the data shown in this PDF Document is generated from our Online Catalog. Please find the complete data in the user's documentation. Our General Terms of Use for Downloads are valid (<http://download.phoenixcontact.com>)



Power cable, 5-pos., gray PVC, 2.5 mm<sup>2</sup>, free cable end to angled 7/8" 16UNF socket, length: 10.0 m

### Product Features

- ✓ Easy and safe: 100% electrically tested plug-in components
- ✓ Robust connectors in size 7/8"-16UNF
- ✓ High-performance: connectors and cables with a large conductor cross section for power supply



### Key commercial data

|                      |          |
|----------------------|----------|
| Packing unit         | 1 1      |
| Custom tariff number | 85444290 |
| Country of origin    | Germany  |

### Technical data

#### Dimensions

|                 |      |
|-----------------|------|
| Length of cable | 10 m |
|-----------------|------|

#### Ambient conditions

|                                 |                           |
|---------------------------------|---------------------------|
| Ambient temperature (operation) | -40 °C ... 90 °C (Socket) |
| Degree of protection            | IP65                      |
|                                 | IP67                      |
|                                 | IP68                      |

#### General

|                       |         |
|-----------------------|---------|
| Rated current at 40°C | 13 A    |
| Rated voltage         | 600 V   |
| Number of positions   | 5       |
| Contact resistance    | ≤ 5 mΩ  |
| Insulation resistance | ≥ 10 MΩ |

## Sensor/Actuator cable - SAC-5P-10,0-431/MINFR PWR - 1443598

### Technical data

#### General

|   |                  |
|---|------------------|
| Coding  | A - standard     |
| Status display  | No               |
| Surge voltage category  | II               |
| Pollution degree  | 3                |
| Structure of individual litz in acc. with VDE 0295 / smallest wire diameter | VDE 0295 class 5 |
| Insertion/withdrawal cycles   | 100              |

#### Material

|   |                              |
|---|------------------------------|
| Inflammability class according to UL 94 | HB                           |
| Contact material                        | CuZn                         |
| Contact surface material                | AU                           |
| Contact carrier material                | PA 66                        |
| Material of grip body                   | TPU                          |
| Material, knurls                        | Zinc die-cast, nickel-plated |

#### Cable

|   |  |
|---|--|
| Cable type                                    | PVC gray   |
| Cable abbreviation                            | H05VV5-F   |
| Conductor cross section                       | 2.5 mm <sup>2</sup>                              |
| AWG signal line                               | 14   |
| Wire colors                                   | Black 1, black 2, black 3, black 4, green/yellow |
| Overall twist                                 | 5 cores, twisted                                 |
| External sheath, color                        | Gray RAL 7001                                    |
| External cable diameter                       | 10.80 mm   |
| Smallest bending radius, fixed installation   | 47.2 mm  |
| Smallest bending radius, movable installation | 147.5 mm   |
| Cable weight                                  | 257 kg/km  |
| Outer sheath, material                        | PVC  |
| Conductor material                            | Bare Cu litz wires                               |
| Flame resistance                              | UL 1581, Sec. 1061 (Cable Flame)                 |
|   | IEC 60332-1-2                                    |
| Ambient temperature (operation)               | -40 °C ... 90 °C (cable, fixed installation)     |
|   | -5 °C ... 90 °C (cable, flexible installation)   |

### Classifications

eCl@ss

|            |          |
|------------|----------|
| eCl@ss 4.0 | 27060306 |
|------------|----------|

# Sensor/Actuator cable - SAC-5P-10,0-431/MINFR PWR - 1443598

## Classifications

### eCl@ss

|            |          |
|------------|----------|
| eCl@ss 4.1 | 27060306 |
| eCl@ss 5.0 | 27061801 |
| eCl@ss 5.1 | 27061801 |
| eCl@ss 6.0 | 27279218 |
| eCl@ss 7.0 | 27279218 |
| eCl@ss 8.0 | 27279218 |

### ETIM

|          |          |
|----------|----------|
| ETIM 2.0 | EC000830 |
| ETIM 3.0 | EC001855 |
| ETIM 4.0 | EC001855 |
| ETIM 5.0 | EC001855 |

### UNSPSC

|               |          |
|---------------|----------|
| UNSPSC 6.01   | 31251501 |
| UNSPSC 7.0901 | 31251501 |
| UNSPSC 11     | 31251501 |
| UNSPSC 12.01  | 31251501 |
| UNSPSC 13.2   | 31251501 |

## Approvals

### Approvals

---

#### Approvals

UL Listed / cUL Listed / GOST / cULus Listed

---

#### Ex Approvals

---

Approvals submitted

---

### Approval details

# Sensor/Actuator cable - SAC-5P-10,0-431/MINFR PWR - 1443598

## Approvals

|                    |       |
|--------------------|-------|
| UL Listed          |       |
|                    |       |
| Nominal current IN | 13 A  |
| Nominal voltage UN | 600 V |

|                    |       |
|--------------------|-------|
| cUL Listed         |       |
|                    |       |
| Nominal current IN | 13 A  |
| Nominal voltage UN | 600 V |

|      |  |
|------|--|
| GOST |  |
|------|--|

|              |  |
|--------------|--|
| cULus Listed |  |
|--------------|--|

## Accessories

### Accessories

#### Conductor marking

Insert label - PABA WH/15 - 1013151



Insert label, Strip, white, Unlabeled, Can be labeled with: Plotter, Mounting type: Thread on, Cable diameter: 0.6-50 mm, Lettering field: 15 x 4 mm

## Sensor/Actuator cable - SAC-5P-10,0-431/MINFR PWR - 1443598

### Accessories

Insert label - PABA YE/15 - 1013698



Insert label, Strip, yellow, Unlabeled, Can be labeled with: Plotter, Mounting type: Thread on, Cable diameter: 0.6-50 mm, Lettering field: 15 x 4 mm

---

Insert label - PABA RD/15 - 1013944



Insert label, Strip, red, Unlabeled, Can be labeled with: Plotter, Mounting type: Thread on, Cable diameter: 0.6-50 mm, Lettering field: 15 x 4 mm

---

### Cutting tools

Cable-cutting tool - CUTFOX-S VDE - 1212207



Diagonal cutter for copper and aluminum conductors, VDE-tested

---

### Marker carrier cable

Conductor marker carrier - PATG 2/15 - 1013038



Conductor marker carrier, transparent, Unlabeled, Mounting type: Slide on, Cable diameter: 2-4 mm, Lettering field: 4 x 15 mm

---

Conductor marker carrier - PATG 3/15 - 1013041



Conductor marker carrier, transparent, Unlabeled, Mounting type: Slide on, Cable diameter: 4-7 mm, Lettering field: 4 x 15 mm

## Sensor/Actuator cable - SAC-5P-10,0-431/MINFR PWR - 1443598

### Accessories

---

Conductor marker carrier - PATG 4/15 - 1013054



Conductor marker carrier, transparent, Unlabeled, Mounting type: Slide on, Cable diameter: 6-10 mm, Lettering field: 4 x 15 mm

### Marker pen

Marker pen - B-STIFT - 1051993



Marker pen, for manual labeling of unprinted Zack strips, smear-proof and waterproof, line thickness 0.5 mm

### Protective cap

Screw plug - PROT-MINMS-PA-CHAIN - 1430925



7/8" sealing cap made of plastic with fixing band, for sensor cables, for 7/8" sockets

### Screwdriver tools

Adapter insert - TSD-M SAC-BIT ADAPTER - 1212600



Adapter bit for TSD-M...torque tools, E6.3-1/4" drive with 4 mm hexagon to accommodate SAC bits

## Sensor/Actuator cable - SAC-5P-10,0-431/MINFR PWR - 1443598

### Accessories

Adapter - SAC BIT MIN-D25 - 1212512



SAC nut, for assembling 7/8" connectors, with 4 mm hexagonal drive

---

### Stripping tool

Stripping tool - WIREFOX SAC - 1212623



Stripping pliers, for halogen-free sensor/actuator cables (SAC cables), with PUR and PVC insulation, from  $\varnothing$  of 4.4 to 7 mm, any stripping length

---

Stripping tool - WIREFOX 10 - 1212150



Stripping tool, for cables and conductors from 0.02 - 10 mm<sup>2</sup>, self-adjusting, stripping length of up to 18 mm, cutting capacity of up to 10 mm<sup>2</sup> stranded/1.5 mm<sup>2</sup> solid, replaceable stripping blade

---

### Torque tool

Torque screwdriver - TSD 08 SAC - 1212597



Torque screw driver with preset torque of 0.8 Nm, with 4 mm hexagon for accommodating SAC bits, two-component handle with non-slip grip

---

Torque screwdriver - TSD-M 1,2NM - 1212224



Torque screw driver, accuracy as per EN ISO 6789 standard, adjustable from 0.3 - 1.2 Nm

# Sensor/Actuator cable - SAC-5P-10,0-431/MINFR PWR - 1443598

## Accessories

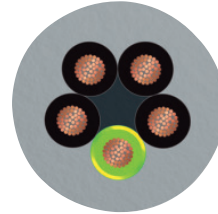
### Drawings

Schematic diagram



Pin assignment, socket, 7/8"-16UNF, 5-pos., view of female side

Cable cross section



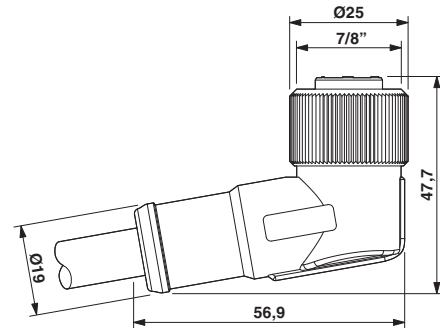
PVC gray [431]

Circuit diagram



Contact assignment of 7/8" socket

Dimensioned drawing



7/8"-16UNF socket, angled