

1

2

3

4

5

6

7

A

A

B

B

C

C

D

D

E

E

F

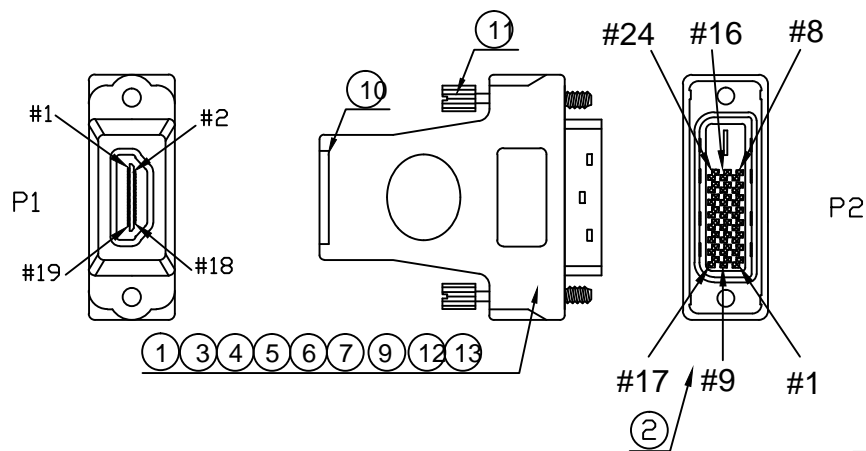
F

G

G

H

H



PIN ASSIGNMENT	
P1	P2
1	2
3	1
2	3
4	10
6	9
5	11
7	18
9	17
8	19
10	23
12	24
11	22
15	6
16	7
17	15
19	16
18	14
S	S

NO	TYPE	DESCRIPTION	QTY	UNIT
13	210	JUMP-WIRE-26#-1007-2*25*2MM	14	PCS
12	110640000120	HDMI A type Conn(FEMALE)	1	PCS
11	240010700068	SRW:I4.7*22.6MM	2	PCS
10	370	PVC-BK10/30 (MOLDING 1 PCS HDMI HOOD)	2	G
9	370	PVC-BLACK10/50	12	G
8		LABEL*50*25mm	41/400	PCS
7	370	FOIL-CU:24*80MM	1	PCS
6	370	HI TEAMP TAPE:W:19MM;L:70MM	1	PCS
5	370	PE-5321	3.5	G
4	220	SOL-WIRE-FULL-TIN-1.0	1.0	G
3	260030000115	PCB:Y-S0002	1	PCS
2	220	DVI-24+KEY-M<BK>	1	PCS
1	210	JUMP-WIRE-26#-1007-2*30*2MM	3	PCS

RoHS compliant
Unit: mm

Scale	FREE				Date	Name	Customer-No.
TOLERANCE					Drawn	26.01.2015	Joanna
					Approved	26.01.2015	Joanna
							ASSMANN WSW-No. AB 567
DIM	TOL						Drawing-No. ASS 7303 CA
		ⓐ	Drawn	26.01.2015	Joanna	rev00	
Angle	TOL	Id.	Modification	Date	Name	Replace	Sheet



1

2

3

4

5

6

7