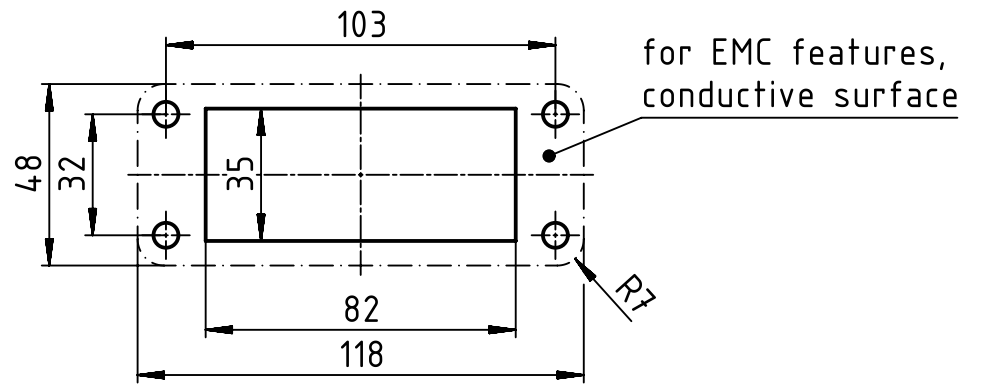




panel cut out



	All rights reserved		Created by RULLKOETTER		Inspected by GERB		Standardisation TIEMANNA		Date 2015-09-03		State Final Release	
	Department EL PD - DE		Title Han 16HPR Base Panel Screw Locking		Doc-Key / ECM-Nr. 100209307/UGD/004/B 500000093926		Rev. B		Page 1/1			
HARTING Electric GmbH & Co. KG D-32339 Espelkamp			Type TB		Number 09 40 016 0311		Ref. Sub.					
 All Dimensions in mm Original Size DIN A4			Scale 1:2		Free size tol.							