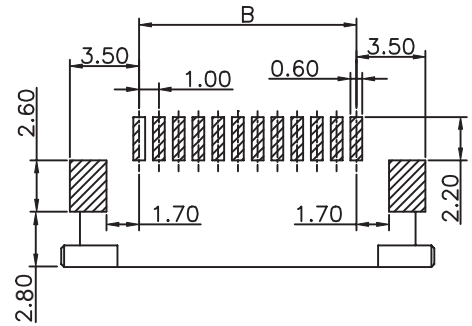


APPLICABLE FFC LAYOUT
(THICKNESS: 0.29 to 0.34)



RECOMMENDED PCB LAYOUT - COMPONENT VIEW

MATERIAL:
HOUSING MATERIAL: PPS
COLOR: BEIGE
ACTUATOR MATERIAL: PPS
COLOR: BLACK
CONTACT MATERIAL: PHOSPOR BRONZE
CONTACT PLATING: 100μ" TIN OVER 50μ" NI
QUALITY CLASS: 25 MATING CYCLES*

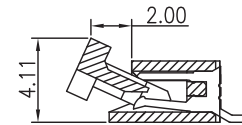
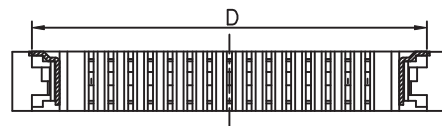
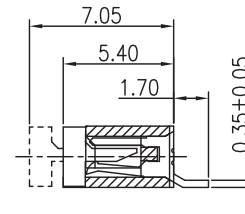
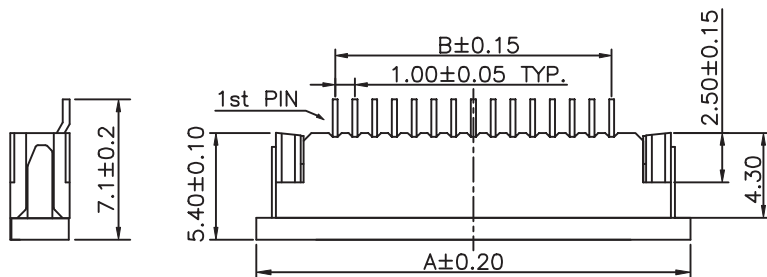
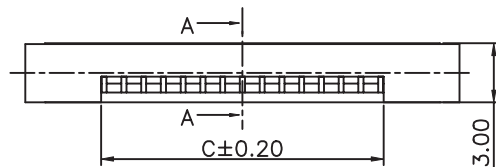
ENVIRONMENTAL:
OPERATING TEMPERATURE: -25°C UP TO 85°C
FLAMABILITY RATING: UL94-V0
COMPLIANCE: LEAD FREE AND ROHS

ELECTRICAL:
CURRENT RATING: 1A
WORKING VOLTAGE: 125V
INSULATION RESISTANCE: >100MOHM
DIELECTRIC WITHSTANDING VOLT.: 500VAC/MN
CONTACT RESISTANCE: 20mOHM MAX

STANDARD
CERTIFIED: E323964 / MODEL NUMBER 686
FOLLOWED BY 1, FOLLOWED BY 03 THRU 30, FOLLOWED
BY 141 OR 144, FOLLOWED BY NUMERIC DIGITS

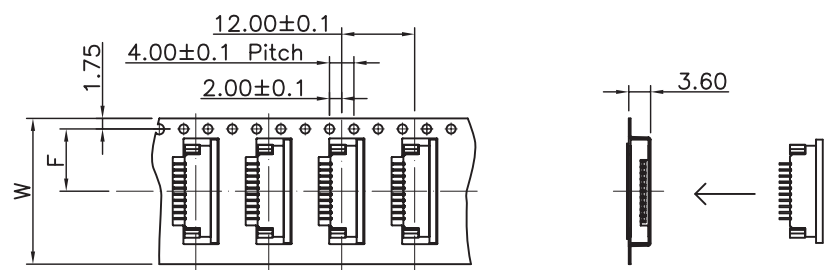
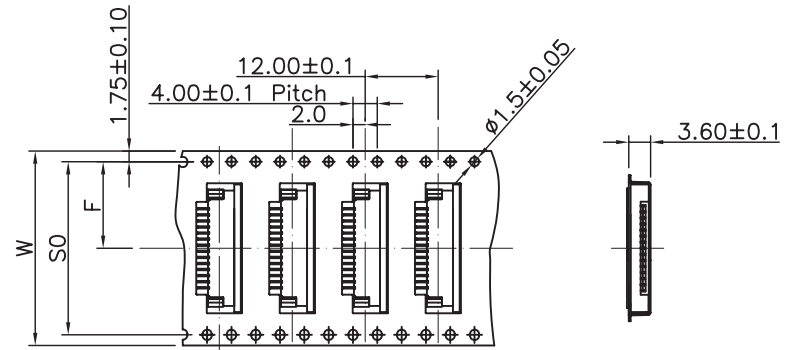
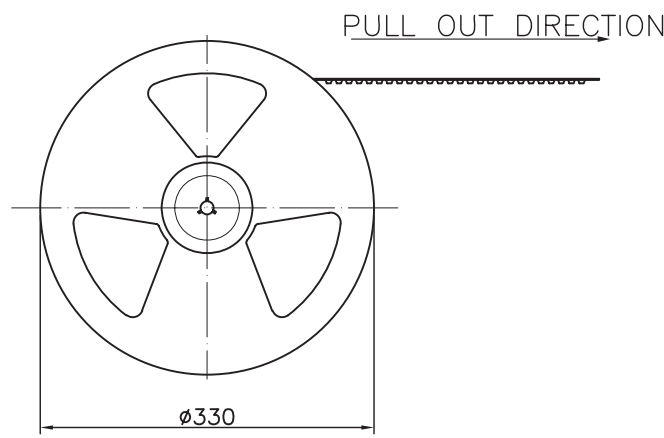
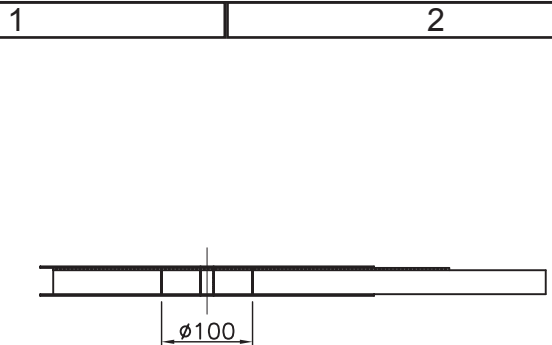
SOLDERING:
REFLOW PROCESS ONLY

DIMENSION:
A = B + 8.00
B = 1.00 x (NB PINS - 1)
C = B + 2.1
D = B + 6.00

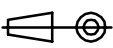



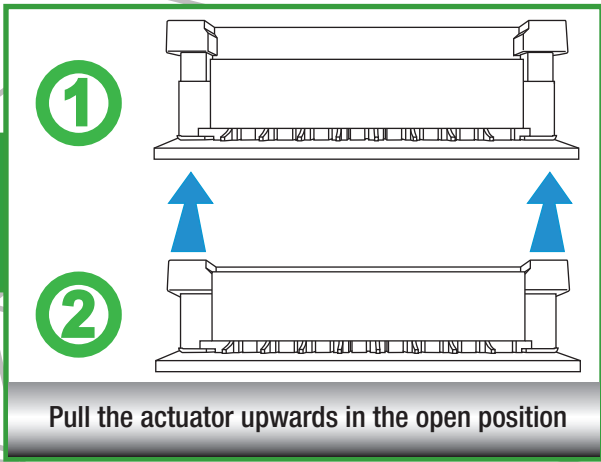
SECT. A-A

RoHS Compliant		*NOTE: theoretical value related to the Tin plating; however, due to the sensitive actuator, we recommend not to make more than 1 or 2 cycles in order to maintain acceptable mechanical & electrical conditions					
N	05-JUN-15	TPK REVIEW	AK	PROJECTION: 	GENERAL TOLERANCE .X = +/- 0.2 .XX = +/- 0.15		
M	13-DEC-13	TPK UPDATE	QL				
L	10-APR-13	ACTUATOR	AR				
K	23-JAN-13	UNIT μ => μ"	QL				
J	18-SEP-12	MC NOTE	GG	APPROVAL: Gmo	UNIT: MM	DESCRIPTION: 1.0MM ZIF FPC HORIZONTAL BOTTOM CONTACT TYPE - TAPE & REEL PACKAGING WERI PART NO: 686 1xx 144 22	SIZE A4
I	28-JUN-12	COLOR	GG		SCALE:		
H	26-JUN-12	DIM	GG		SHEET: 1/2		
REV	DATE	FILE	BY		DRAW: PEARL		

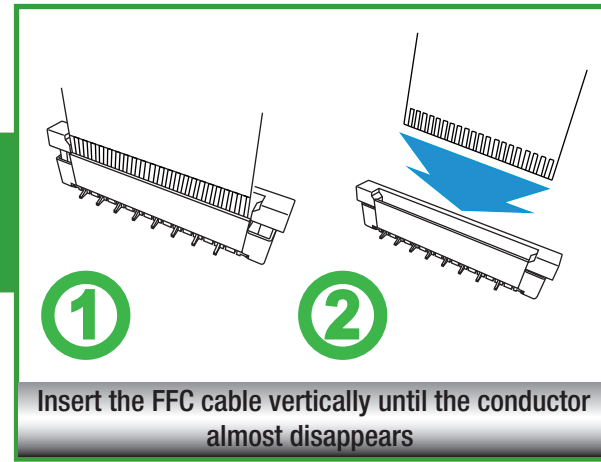


PART-NO.	4-9PIN	10-14PIN	15-26PIN	27-30PIN
W	24.00	32.00	44.00	56.00
F	11.50	14.20	20.20	26.20
S0	—	28.40	40.40	52.40

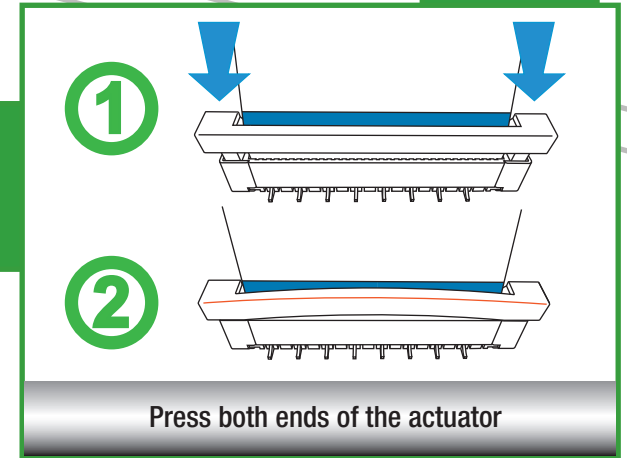
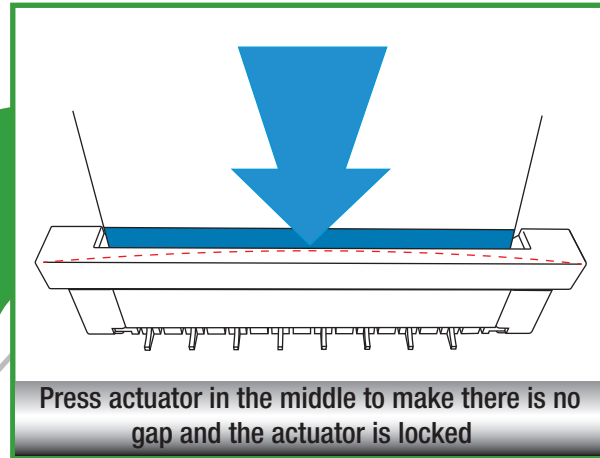
RoHS Compliant				PROJECTION: 	GENERAL TOLERANCE $.X = \pm 0.2$ $.XX = \pm 0.15$		DESCRIPTION: 1.0MM ZIF FPC HORIZONTAL BOTTOM CONTACT TYPE - TAPE & REEL PACKAGING	SIZE A4
G								
F								
E								
D								
C				APPROVAL: GMo	UNIT: MM	WERI PART NO: 686 1xx 144 22		
B					SCALE:			
A					SHEET: 2/2			
REV	DATE	FILE	BY		DRAW: AK			

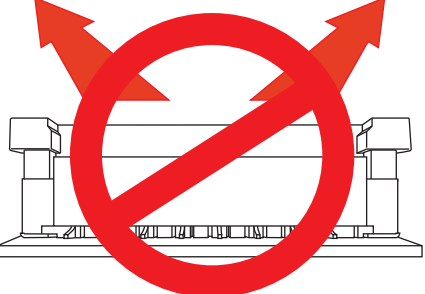


A



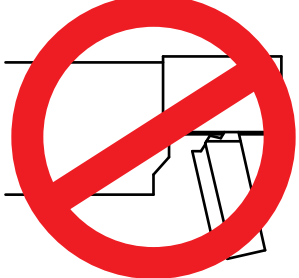
B



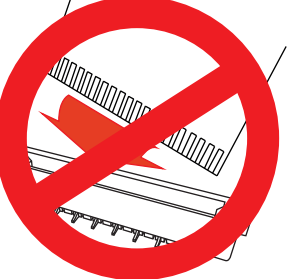


Pull the actuator as horizontally as possible by a proper force

A

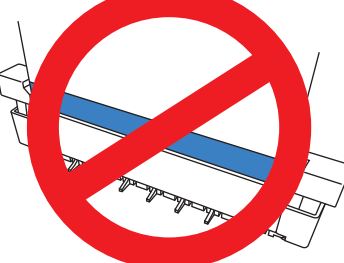


Do not pull the actuator too far otherwise the stop limit (hook on actuator) may be broken



Do not keep FFC inclined when insertion

B



Don't keep conductor toward actuator