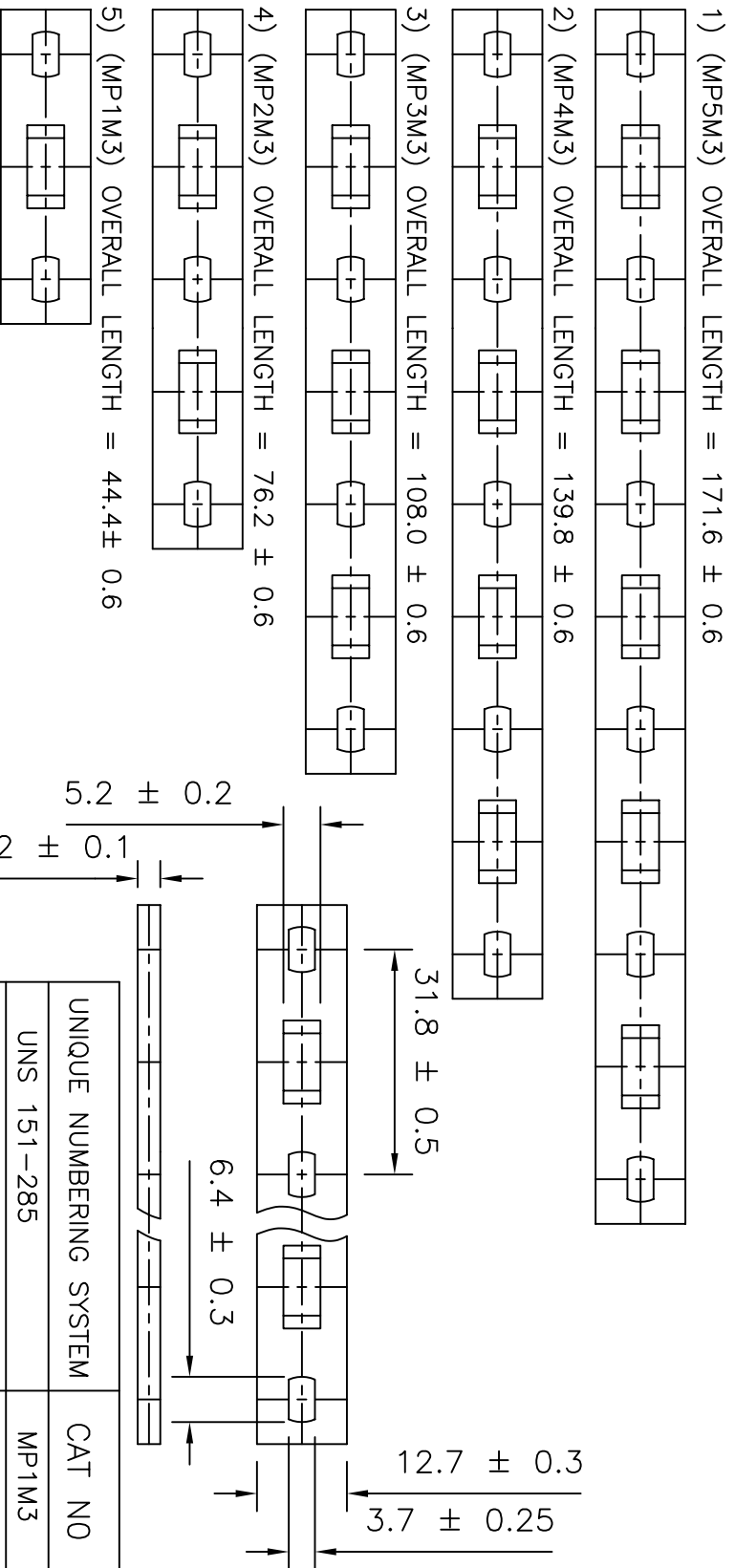


Revision level		Revision Record		Changed	Date	Approved	Date
Part	Drawing						
	01	UNIQUE NUMBERING SYSTEM COLUMN & UNS NUMBER ADDED TO SHEET.		A.LOWMAX	20/06/01	S.BENTICK	20/06/01



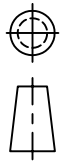
FOR USE WITH M3 SCREWS
AND T50 RANGE OF TIES

UNIQUE NUMBERING SYSTEM	CAT NO
UNS 151-285	MP1M3
UNS 151-287	MP2M3
UNS 151-289	MP3M3
UNS 151-291	MP4M3
UNS 151-293	MP5M3

Material P.A.66
Dimension without tolerances details to:

DIN 16901

ACAD



The copyright of this drawing is reserved

by HELLERMANN TYTON.
It is issued on condition that it is not reproduced, copied or disclosed to a third party, either wholly or in part, without the consent of HELLERMANN TYTON.

Drawn C.HOLDEN 01/02/00
Approved. S.BENTICK 01/02/00

Scale 1:1
Title

HellermannTyton
Network Products Group

Sharston Green Business Park,
Manchester M22 4TY.
Tel: 0161 945 4181
Fax: 0161 947 2228

MP3 SERIES

Drawing-No

CD1114-01

Format A4

Sheet 1 of 1

Tolerances PERFORMANCE SPECIFICATION