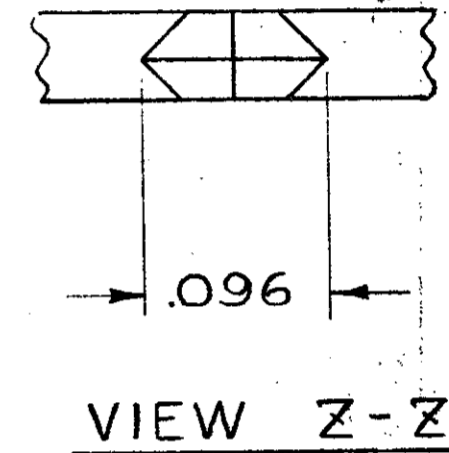
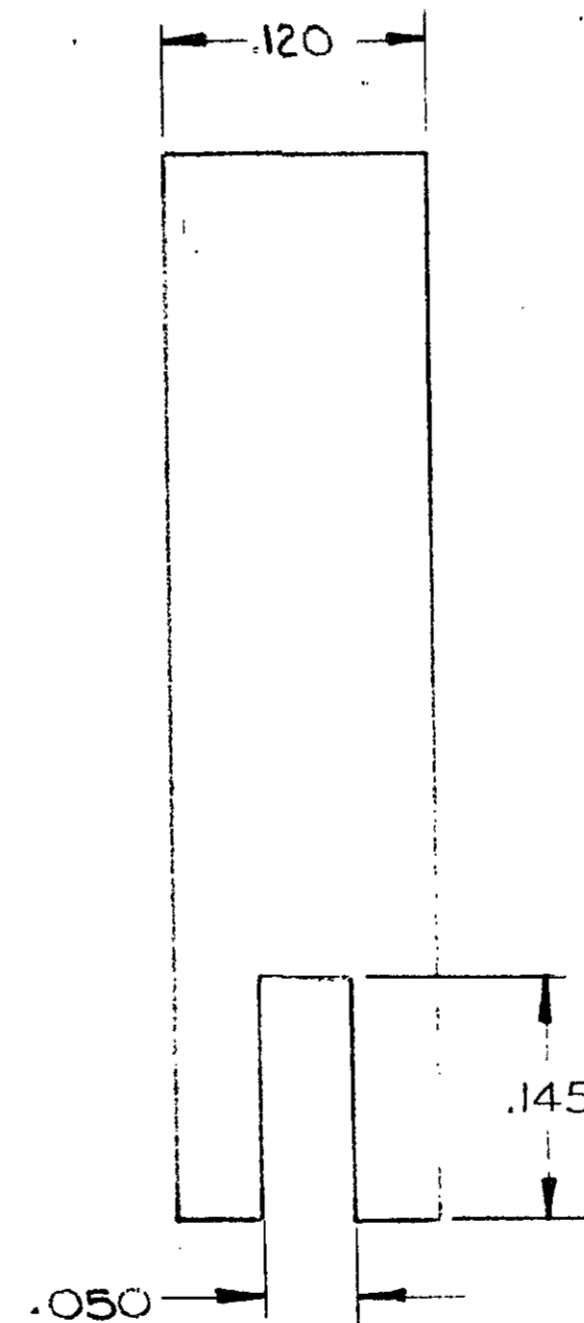
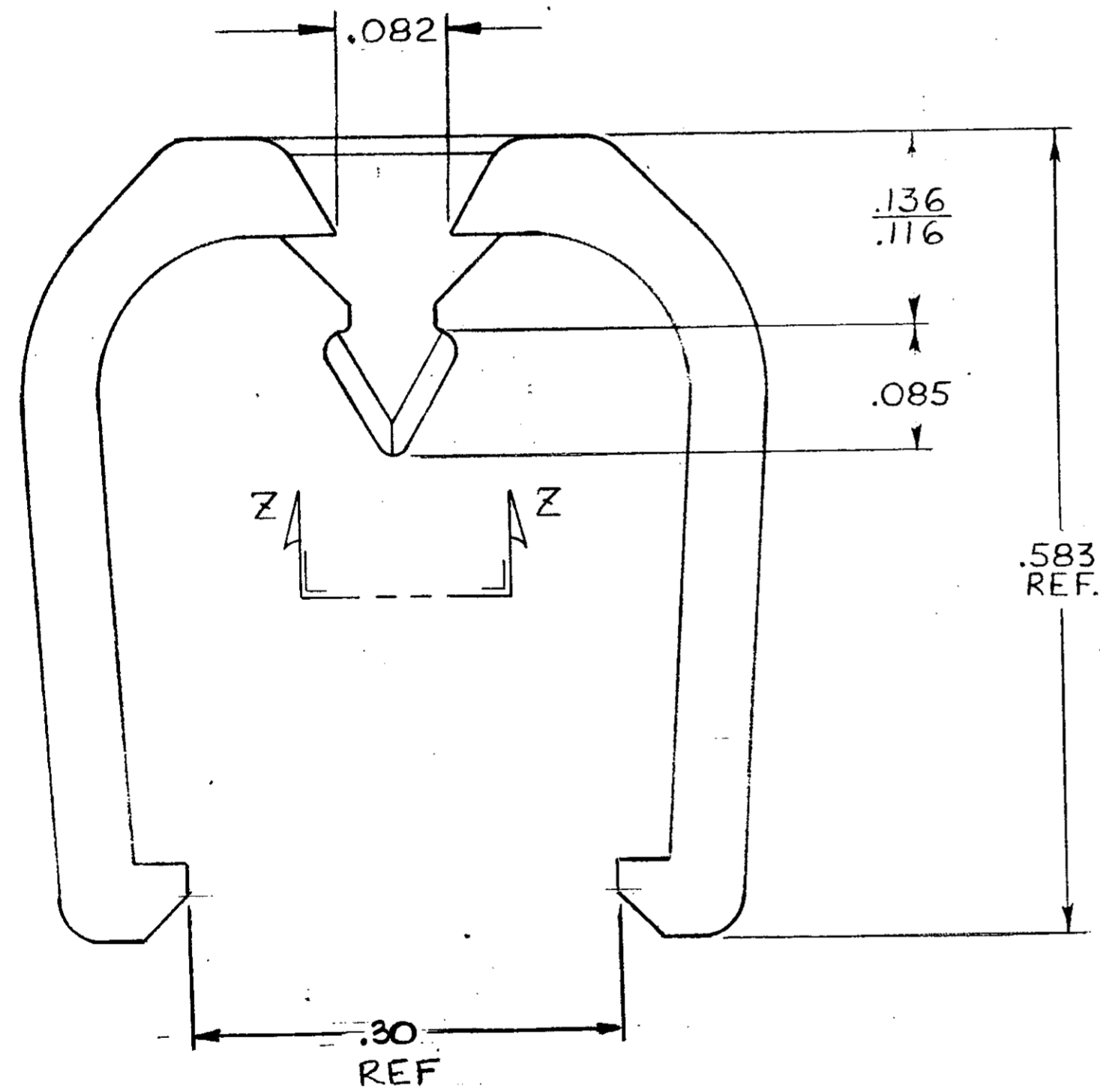
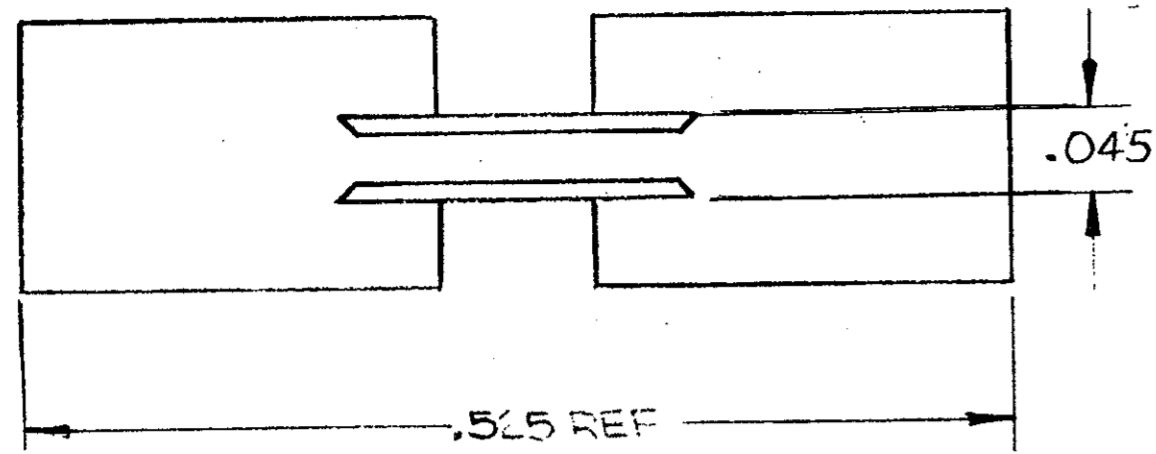


DRAWING MADE IN THIRD ANGLE PROJECTION

THIS DRAWING IS UNPUBLISHED. RELEASED FOR PUBLICATION .19
 © COPYRIGHT 1983 BY AMP INCORPORATED, HARRISBURG, PA. ALL INTERNATIONAL RIGHTS RESERVED. AMP PRODUCTS MAY BE COVERED BY U.S. AND FOREIGN PATENTS AND/OR PATENTS PENDING.

650289-1 AS SHOWN

REVISIONS					
P/F	ZONE	LTR	DESCRIPTION	DATE	APPROVED
✓	0		REL-1 PER 89-5191-001	6/8/89	HWR
✓	A		REV PER EC 0320-209-97	7-7-97	NS



UNLESS OTHERWISE SPECIFIED DIMENSIONS ARE IN INCHES		CONTRACT NO		AMP AMP INCORPORATED Harrisburg, Pa. 17105	
TOLERANCES ON: DECIMALS .010 ANGLES		DR <i>D. Wareham 6/8/89</i>	CHK <i>HWRose 6/89</i>	NAME KEYING FLUG, MOTHER BOARD TWIN LEAF, .150¢ AND .156¢	
MATERIAL LCP : GLASS-FILLED COLOR: NATURAL		APPD <i>Howard W. Rose 6/89</i>	APPR <i>Howard W. Rose 6/89</i>	SIZE C	FSCM NO 00779
FINISH		DSGN APPD	OTHER APPD	DRAWING NO 650289	
				SCALE	SHEET 1 OF 1

CUSTOMER DRAWING