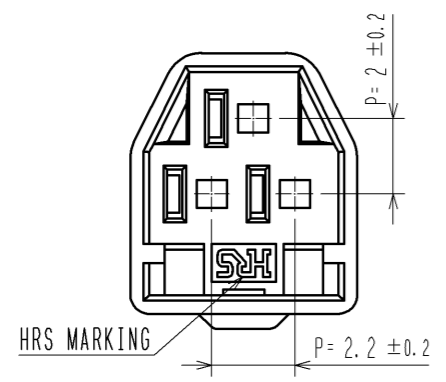
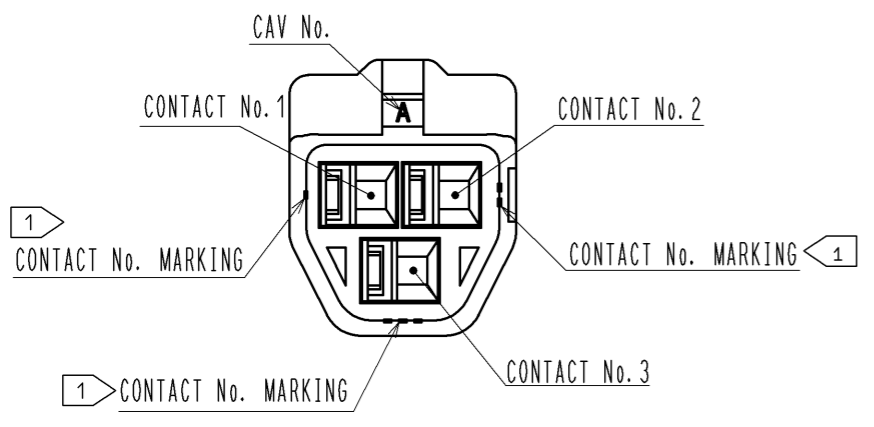
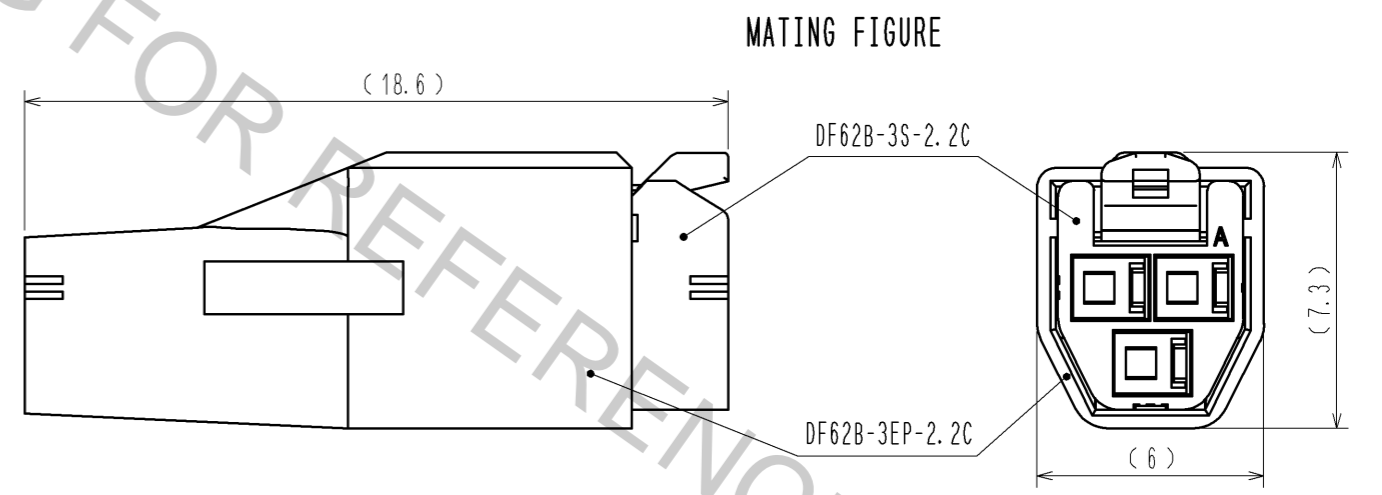
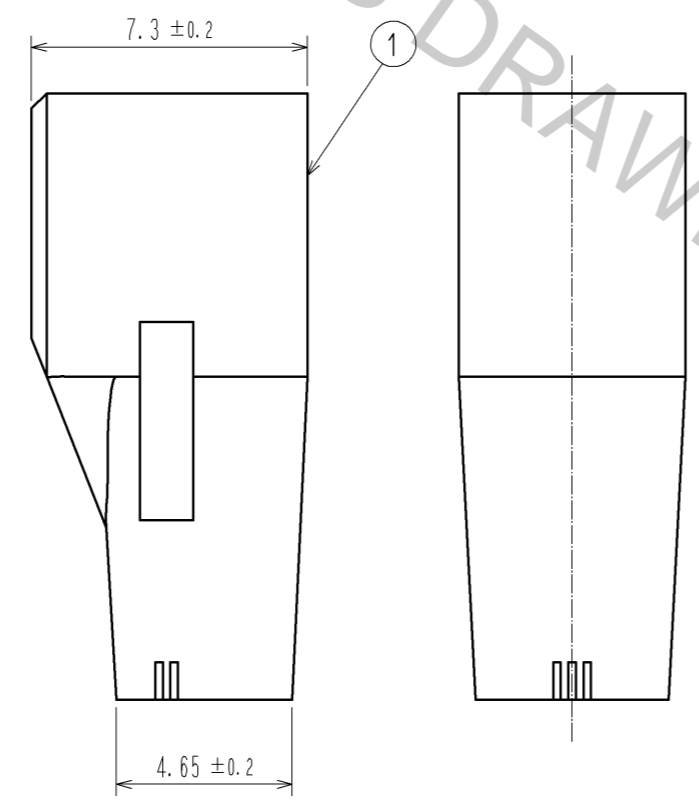
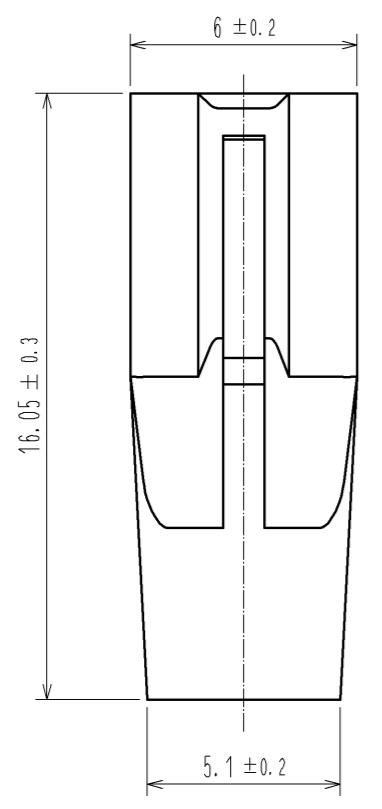
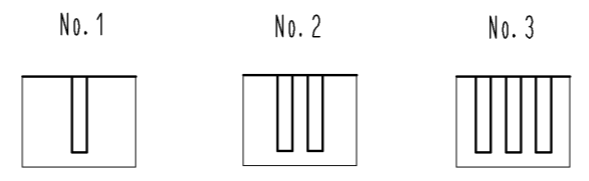


Apr.1.2017 Copyright 2017 HIROSE ELECTRIC CO., LTD. All Rights Reserved.



1 FIGURE-1 CONTACT No. MARKING (10:1)



NOTE. 1 MARKINGS AT THE INDICATED POSITIONS IS CONTACT NO. MARKING. AND SHAPES ARE SHOWN IN FIGURE-1.  
 2. PER PACK : 100 PIECES.  
 3. THE DIMENSIONS IN PARENTHESIS ARE FOR REFERENCE.

|                           |  |                          |  |                  |  |                          |     |                 |         |      |
|---------------------------|--|--------------------------|--|------------------|--|--------------------------|-----|-----------------|---------|------|
| NO.                       |  | MATERIAL                 |  | FINISH . REMARKS |  | 1                        | PBT | UL94V-0(BLACK)  |         |      |
| UNITS<br>mm               |  | SCALE<br>5 : 1           |  | COUNT            |  | DESCRIPTION OF REVISIONS |     | DESIGNED        | CHECKED | DATE |
| HIROSE ELECTRIC CO., LTD. |  | APPROVED : KI. AKIYAMA   |  | 13.06.06         |  | DRAWING NO.              |     | EDC3-351964-00  |         |      |
|                           |  | CHECKED : MN. KENJO      |  | 13.06.06         |  | PART NO.                 |     | DF62B-3EP-2.2C  |         |      |
|                           |  | DESIGNED : TH. YOSHIZAWA |  | 13.06.06         |  | CODE NO.                 |     | CL544-0559-1-00 |         |      |
|                           |  | DRAWN : TH. YOSHIZAWA    |  | 13.06.06         |  |                          |     |                 |         |      |