

Overview

The KEMET SC Coils, SC-GJ Terminal Base Type AC line filters are offered in a wide variety of sizes and specifications.

Applications

- Consumer Electronics
- Common mode choke

Benefits

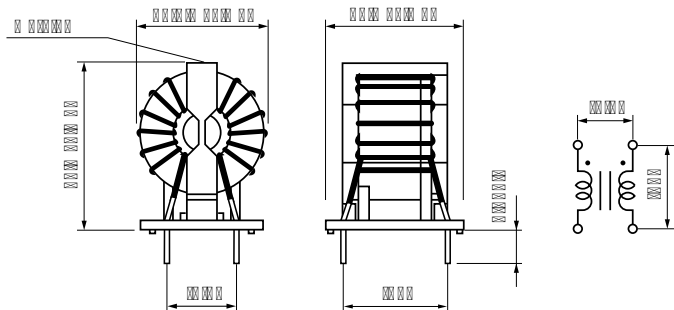
- Wide variety of sizes and specifications
- Inductances up to 3.0 mH
- Rated Currents up to 3 A
- DC Resistances as low as 35 mΩ



Part Number System

SC-	02-	30	GJ
Series	Rated Current (A)	Minimum Inductance (mH)	Terminal Base Type
SC-	0x- = x A (e.g., 02- = 2 A)	x0 = x.0 mH (e.g., 30 = 3.0 mH) 0x = 0.x mH (e.g., 06 = 0.6 mH)	GJ

Dimensions – Millimeters



Environmental Compliance

All KEMET AC Line Filters are RoHS Compliant.



☒ ☒ ☒ ☒ ☒ ☒ ☒ ☒ ☒ ☒

Table 1 – Ratings & Part Number Reference

Part Number	Rated Current AC (A)	Inductance (mH) Minimum	DC Resistance/ Line (mΩ) Maximum	Temperature Rise (K) Maximum	Wire Diameter (mm)	Marking	Weight (g) Approximate
SC-02-20GJ	2	2.0	80	40	0.5	220	9
SC-02-30GJ	2	3.0	100	40	0.5	230	10
SC-03-06GJ	3	0.6	35	40	0.6	306	8
SC-03-10GJ	3	1.0	40	40	0.6	310	9

Specifications

Frequency Characteristics

