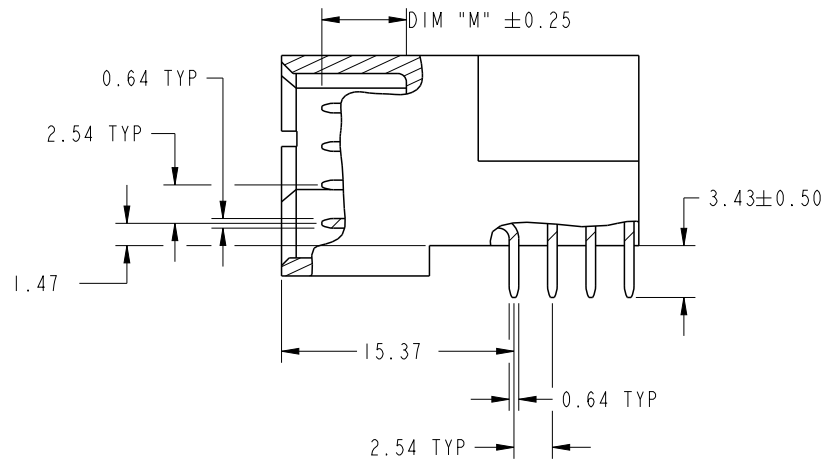
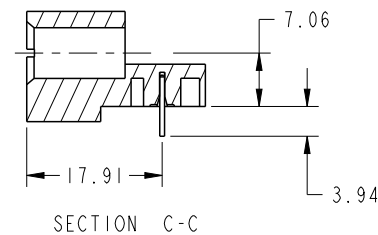


PRODUCT NUMBER

51939-903--
NOTE: 3



BROKEN-OUT SECTION A-A
SCALE 2:1

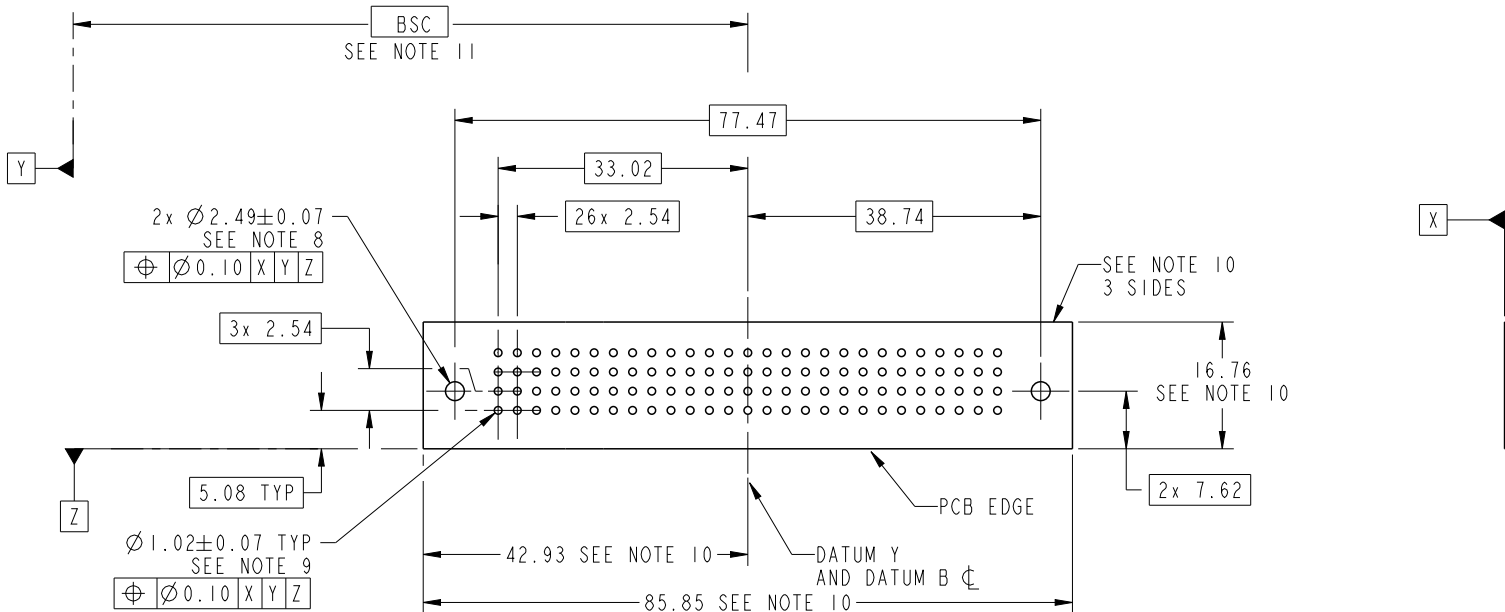


SECTION C-C

dr	Luo Weller	2014/07/10	projection 	MM ←————→	size	A4	scale	1:1		
eng	Luo Weller	2014/07/28			ecn no	-				
chr	-	-			product family	PwrBlade	rel level	Released		
appr	Pei-Ming Zheng	2014/07/28			title	108S RIGHT ANGLE SOLDER HEADER	dwg no	51939-903	rev	A
www.fci.com		cat. no.	-	Product - Customer Drw			sheet 2 of 4			

PRODUCT NUMBER

51939-903__
NOTE: 3



RECOMMENDED PCB LAYOUT

dr	Luo Weller	2014/07/10	projection 	MM ←→	size	A4	scale	1:1
eng	Luo Weller	2014/07/28			ecn no	-		
chr	-	-						
appr	Pei-Ming Zheng	2014/07/28	product family	PwrBlade	rel level	Released		
	title	108S RIGHT ANGLE SOLDER HEADER		dwg no	51939-903		rev	A
www.fci.com	cat. no.	-	Product - Customer Drw			sheet 3 of 4		

PRODUCT NUMBER

51939-903__
NOTE: 3

NOTES:

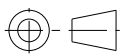
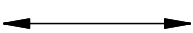

1. DIMENSIONS AND TOLERANCES ARE IN ACCORDANCE WITH ASME Y14.5M, 1994 UNLESS OTHERWISE SPECIFIED.

CONNECTOR NOTES:

- 2. HOUSING MATERIAL: UL 94 V-0 GLASS FILLED HIGH-TEMP THERMOPLASTIC
POWER CONTACT MATERIAL: COPPER ALLOY
SIGNAL PIN MATERIAL: COPPER ALLOY
- 3. SEE ITEM 1 & 2 IN PRINT 10064183 FOR PLATING SPEC OF 51939-903 AND 51939-903LF RESPECTIVELY.
- 4. MANUFACTURER'S NAME, DATE CODE AND OPTIONAL P/N TO APPEAR ON THIS SURFACE. THE MARK CAN BE OMITTED IF THERE IS NOT ENOUGH SPACE ON THIS SURFACE.
- 5. PRODUCT SPECIFICATION GS-12-149.
APPLICATION SPECIFICATION BUS-20-067.
- 6. PACKAGED IN TRAYS.

PCB NOTES:

- 7. ALL HOLE DIAMETERS ARE FINISHED HOLE SIZE.
- 8. MOUNTING HOLES, WHERE APPLICABLE, ARE UNPLATED.
- 9. $\phi 1.151 \pm 0.025$ DRILLED HOLES PLATED WITH 0.008 MIN SnPb OR Sn OVER 0.03 TO 0.08 Cu PLATING TO ACHIEVE $\phi 1.02 \pm 0.07$ HOLE.
- 10. CONNECTOR KEEP-OUT ZONE.
- 11. DATUM AND BASIC DIMENSIONS ARE ESTABLISHED BY CUSTOMER.

dr	Luo Weller	2014/07/10	projection 	MM 	size	A4	scale	1:1
eng	Luo Weller	2014/07/28			ecn no	-		
chr	-	-			product family	PwrBlade	rel level	Released
appr	Pei-Ming Zheng	2014/07/28			title 108S RIGHT ANGLE SOLDER HEADER	dwg no 51939-903	rev A	
www.fci.com		cat. no.	-	Product - Customer Drw		sheet 4 of 4		



Copyright FCI.