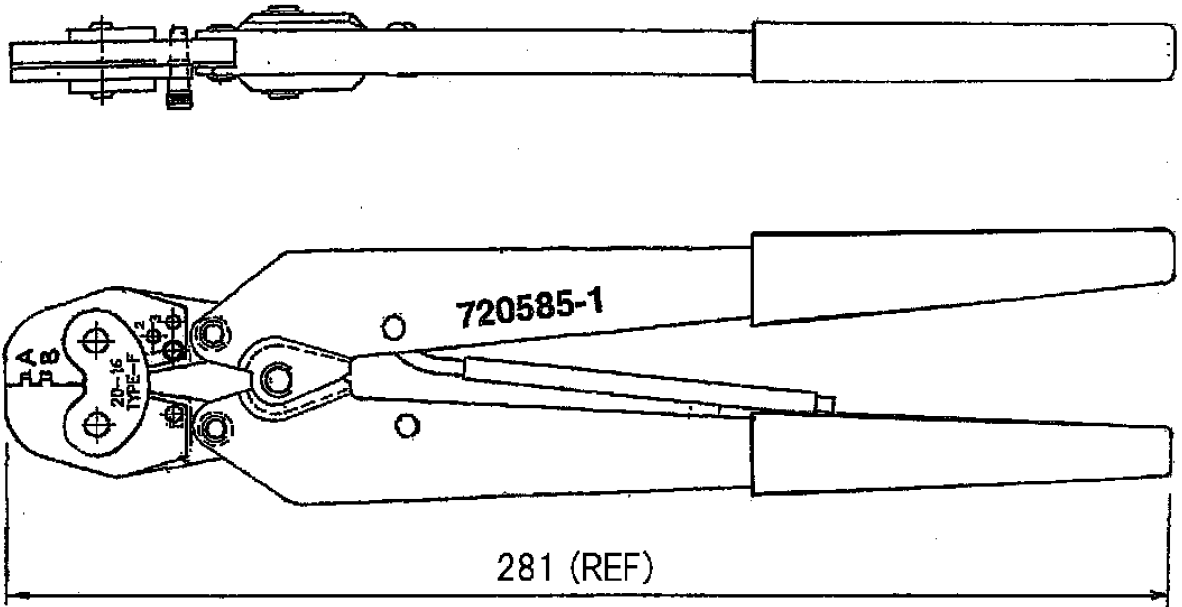


LOC J	DIST —	REVISIONS ?o			DATE	DWN	APVD
		P	LTR	DESCRIPTION			
			C	ECR-08-000459 REVISED	08.JAN.08	S.N	S.Y



CRIMP SYMBOL	TERMINAL NO		WIRE SIZE (mm ²)	INSUL SIZE (mm)	TERMINAL C/H(mm)		TERMINAL SPEC	IS NO.
	STRIP	LP.			WIRE	INS		
圧着部 記号	適用端子		適用電線 (mm ²)	絶縁被覆径 (mm)	芯線部圧着高さ (mm)		圧着規格	IS 番号
	連続状	バラ状			WIRE	INS		
A	41771	41968	22-18 (0.30-0.89)	2.3-3.3	---	---	---	---
B	170011	170053	16-14 (1.25-2.27)	3.4 以下	---	---	---	---

RELEASED FOR PUBLICATION

ALL RIGHTS RESERVED.

BY TYCO ELECTRONICS CORPORATION.

© COPYRIGHT

THIS DRAWING IS UNPUBLISHED.

DIMENSIONS: XM? ? mm	DWN (H.MASUDA)	06.JUN.2003	MATERIAL P?	FINISH □	—
	CHK K.MARUYAMA	07.JUN.2003	Tyco Electronics Corporation Kawasaki, Japan		
TOLERANCES UNLESS OTHERWISE SPECIFIED: ,1↑	APVD S.YABE	12.JUN.2003	NAME ?o DOUBLE ACTION HAND TOOL ASS'Y		
	PRODUCT SPEC yA縁<	—	SIZE	CAGE CODE	DRAWING NO
0 PLC ± -	APPLICATION SPEC 白0進<縁<	—	A4	00779	720585-1
1 PLC ± -	WEIGHT	—	RESTRICTED TO		
2 PLC ± -			—		
3 PLC ± -			SCALE ?o —		
4 PLC ± -			SHEET 1 OF 1		
ANGLES ± -			REV C		
	CUSTOMER DRAWING				