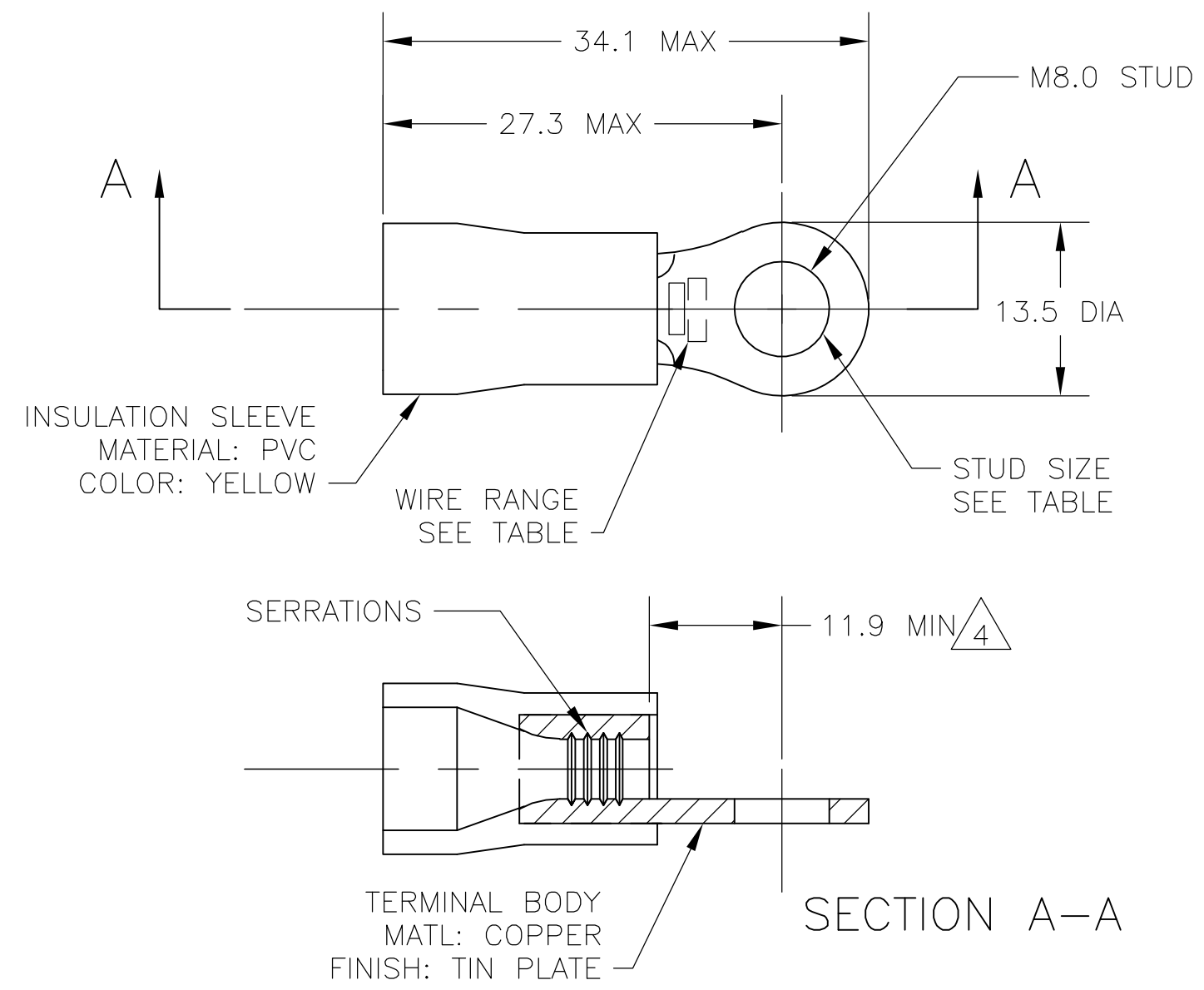


THIS DRAWING IS UNPUBLISHED. RELEASED FOR PUBLICATION
 © COPYRIGHT BY TYCO ELECTRONICS CORPORATION. ALL RIGHTS RESERVED.

LOC	DIST	REVISIONS			
P	LTR	DESCRIPTION	DATE	DWN	APVD
G	02	R1	REV PER ECR-06-001930	13FEB06	HMR TM



- 1 WIRE SIZE IS 12-10 AWG
- 2 WIRE INSULATION DIA: 3.8-6.4
- 3 MATERIAL THICKNESS IS 1.0
- 4 DIMENSION APPLIES FROM EDGE OF METAL WIRE BARREL TO END OF PIN.
- 5 SUPERSEDED BY 342186-1

POLY BAG WITH HEADER	STANDARD	50	5 7-342186-1
PLASTIC BOX	STANDARD	50	5 6-342186-1
PLASTIC BAG	STANDARD	500	342186-1
PACKAGING	LABELLING	QTY	PART NO

DIMENSIONS: INCHES		TOLERANCES UNLESS OTHERWISE SPECIFIED:		DWN: jr ruth 02DEC05		CHK: T MICHIELUTTI 02DEC05		APVD: T MICHIELUTTI 02DEC05		NAME: T MICHIELUTTI	
0 PLC	± -	1 PLC	± 0.5	Tyco Electronics Corporation		Harrisburg, PA 17105-3608		PRODUCT SPEC		TERMINAL, RING TONGUE, PLASTI-GRIP,	
2 PLC	± -	3 PLC	± -	APPLICATION SPEC		SIZE: A2		CAGE CODE: 00779		DRAWING NO: C=342186	
4 PLC	± -	ANGLES	± 1°	WEIGHT: -		SCALE: 5:1		SHEET: 1 of 1		REV: R1	
MATERIAL: -		FINISH: -		CUSTOMER DRAWING		RESTRICTED TO: -					