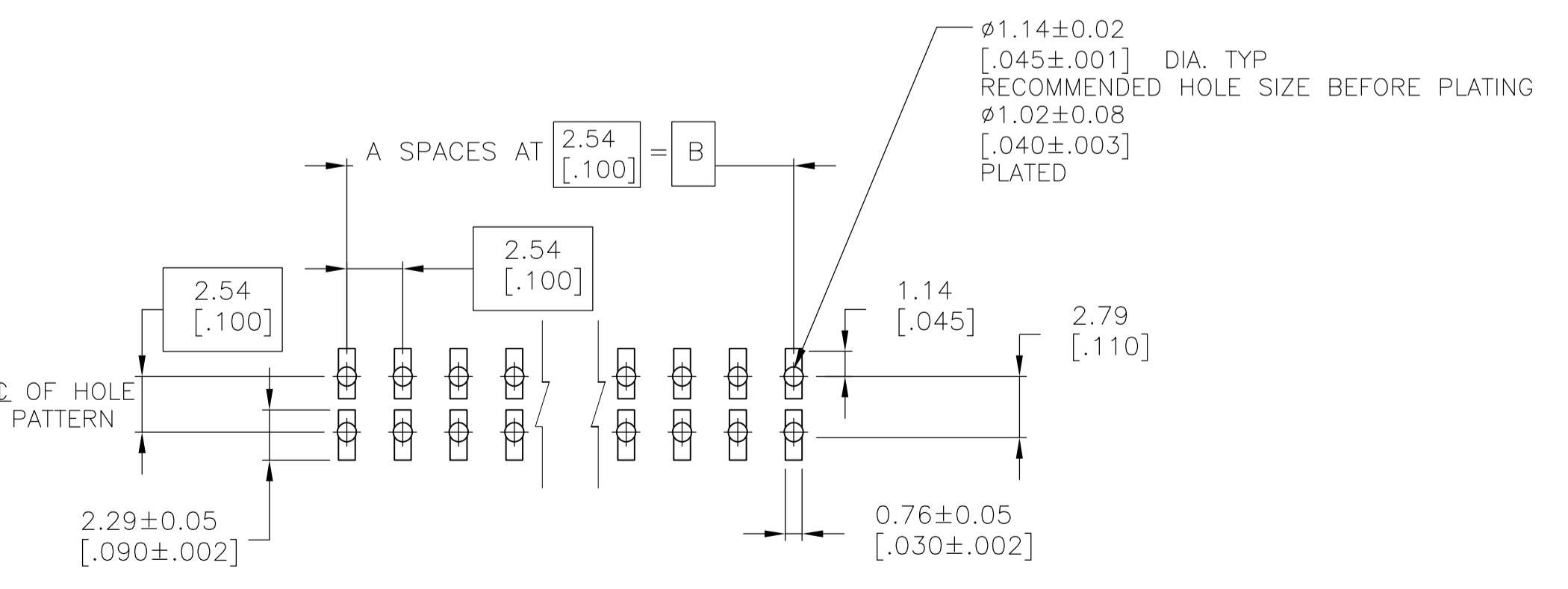
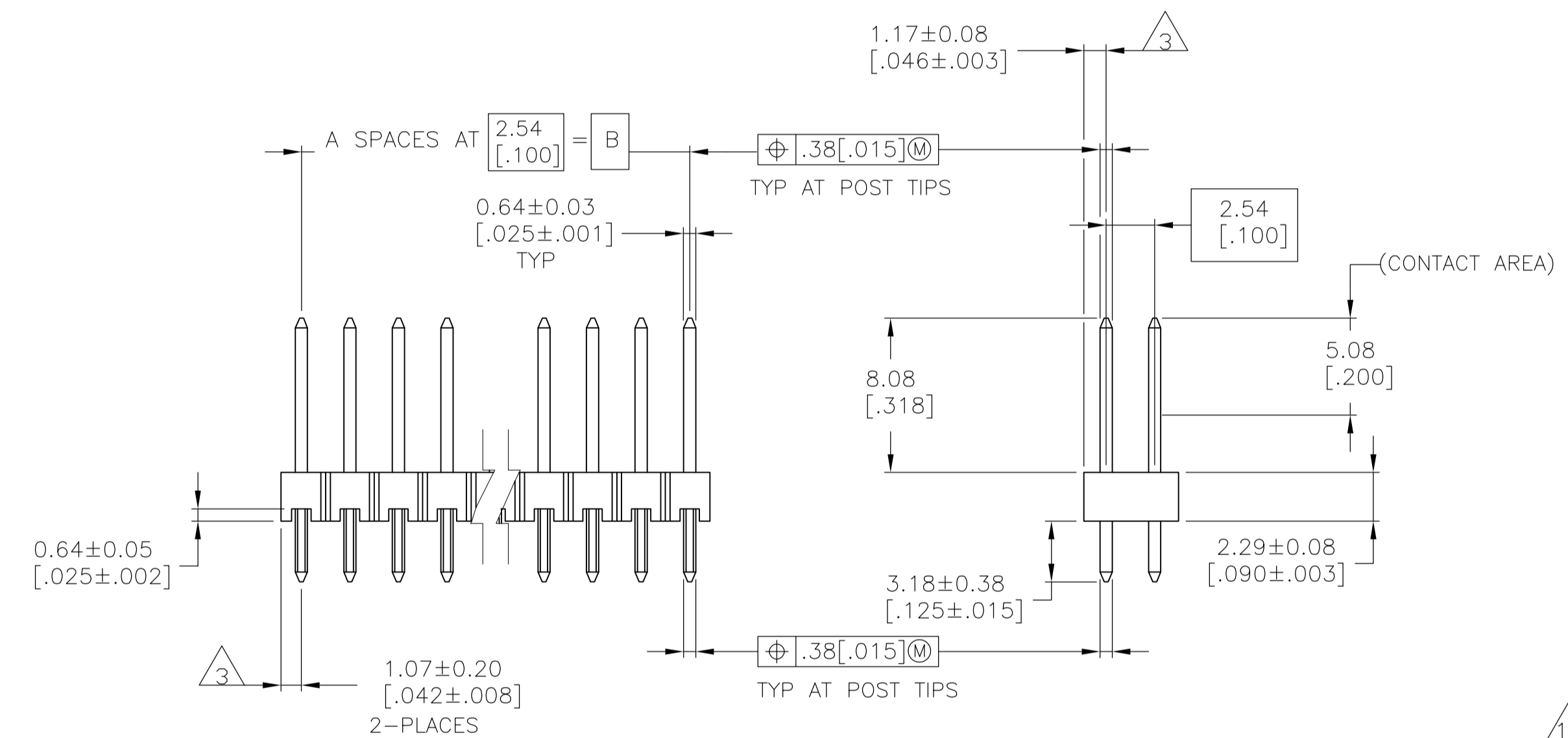
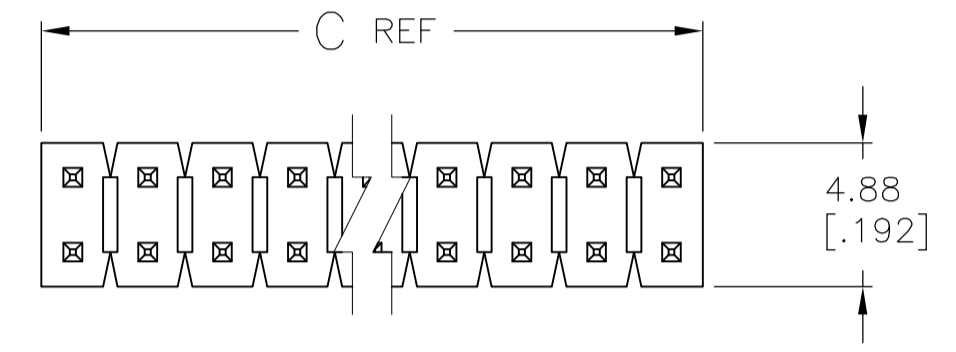


- ASSEMBLY MAY BE BROKEN TO THE DESIRED NUMBER OF POSITIONS.
- TRUE POSITION TOLERANCE OF THE POST TIPS APPLIES WHEN THE HEADER IS HELD FLAT AGAINST THE PRINTED CIRCUIT BOARD.
- THE NOTED DIMENSIONS APPLY AT THE INTERSECTION OF THE POST AND HOUSING.
- POST PLATING: 0.00762[.000030] GOLD ON CONTACT AREA, 0.00254-0.00508[.000100-.000200] MATTE TIN-LEAD ON SOLDER TAIL, ALL OVER 0.00127[.000050] NICKEL.
- HOUSING: LCP, COLOR-BLACK.
- POST: PHOSPHOR BRONZE
- POST PLATING: 0.00762[.000030] GOLD ON CONTACT AREA, 0.00254-0.00508[.000100-.000200] MATTE TIN ON SOLDER TAIL, ALL OVER 0.00127[.000050] NICKEL.
- PRELIMINARY PART - NOT RELEASED FOR PRODUCTION
- OBSOLETE P/N
- OBSOLETE PARTS: OBSOLETE CIS STREAMLINING PER D.RENAUD/D.SINISI



RECOMMENDED PC BOARD MOUNTING DIMENSIONS FOR .063 [1.60] THICK PC BOARD AND .012 [.305] STENCIL THICK

PLATING	C	B	A	NO. OF POSITIONS	PART NUMBER
7	101.19	99.06	39	80	9-146253-0
7	[3.984]	[3.900]			
7	98.65	96.52	38	78	8-146253-9
7	[3.884]	[3.800]			
7	96.11	93.98	37	76	8-146253-8
7	[3.784]	[3.700]			
7	93.57	91.44	36	74	8-146253-7
7	[3.684]	[3.600]			
7	91.03	88.90	35	72	8-146253-6
7	[3.584]	[3.500]			
7	88.49	86.36	34	70	8-146253-5
7	[3.484]	[3.400]			
7	85.95	83.82	33	68	8-146253-4
7	[3.384]	[3.300]			
7	83.41	81.28	32	66	8-146253-3
7	[3.284]	[3.200]			
7	80.87	78.74	31	64	8-146253-2
7	[3.184]	[3.100]			
7	78.33	76.20	30	62	8-146253-1
7	[3.084]	[3.000]			
7	75.79	73.66	29	60	8-146253-0
7	[2.984]	[2.900]			
7	73.25	71.12	28	58	7-146253-9
7	[2.884]	[2.800]			
7	70.71	68.58	27	56	7-146253-8
7	[2.784]	[2.700]			
7	68.17	66.04	26	54	7-146253-7
7	[2.684]	[2.600]			
7	65.63	63.5	25	52	7-146253-6
7	[2.584]	[2.500]			
7	63.09	60.96	24	50	7-146253-5
7	[2.484]	[2.400]			
7	60.55	58.42	23	48	7-146253-4
7	[2.384]	[2.300]			
7	58.01	55.88	22	46	7-146253-3
7	[2.284]	[2.200]			
7	55.47	53.34	21	44	7-146253-2
7	[2.184]	[2.100]			
7	52.93	50.80	20	42	7-146253-1
7	[2.084]	[2.000]			
7	50.39	48.26	19	40	7-146253-0
7	[1.984]	[1.900]			
7	47.85	45.72	18	38	6-146253-9
7	[1.884]	[1.800]			
7	45.31	43.18	17	36	6-146253-8
7	[1.784]	[1.700]			
7	42.77	40.64	16	34	6-146253-7
7	[1.684]	[1.600]			
7	40.23	38.10	15	32	6-146253-6
7	[1.584]	[1.500]			
7	37.69	35.56	14	30	6-146253-5
7	[1.484]	[1.400]			
7	35.15	33.02	13	28	6-146253-4
7	[1.384]	[1.300]			
7	32.61	30.48	12	26	6-146253-3
7	[1.284]	[1.200]			
7	30.07	27.94	11	24	6-146253-2
7	[1.184]	[1.100]			
7	27.53	25.40	10	22	6-146253-1
7	[1.084]	[1.000]			
7	24.99	22.86	9	20	6-146253-0
7	[.984]	[.900]			
7	22.45	20.32	8	18	5-146253-9
7	[.884]	[.800]			
7	19.91	17.78	7	16	5-146253-8
7	[.784]	[.700]			
7	17.37	15.24	6	14	5-146253-7
7	[.684]	[.600]			
7	14.83	12.70	5	12	5-146253-6
7	[.584]	[.500]			
7	12.29	10.16	4	10	5-146253-5
7	[.484]	[.400]			
7	9.75	7.62	3	8	5-146253-4
7	[.384]	[.300]			
7	7.21	5.08	2	6	5-146253-3
7	[.284]	[.200]			
7	4.67	2.54	1	4	5-146253-2
7	[.184]	[.100]			
7	-	-	0	2	5-146253-1

PLATING	C	B	A	NO. OF POSITIONS	PART NUMBER
7	19.91	17.78	7	16	4-146253-3
7	[.784]	[.700]			
7	12.29	10.16	4	10	4-146253-2
7	[.484]	[.400]			
7	101.19	99.06	39	80	4-146253-1
7	[3.984]	[3.900]			
7	101.19	99.06	39	80	4-146253-0
7	[3.984]	[3.900]			
7	98.65	96.52	38	78	3-146253-9
7	[3.884]	[3.800]			
7	96.11	93.98	37	76	3-146253-8
7	[3.784]	[3.700]			
7	93.57	91.44	36	74	3-146253-7
7	[3.684]	[3.600]			
7	91.03	88.90	35	72	3-146253-6
7	[3.584]	[3.500]			
7	88.49	86.36	34	70	3-146253-5
7	[3.484]	[3.400]			
7	85.95	83.82	33	68	3-146253-4
7	[3.384]	[3.300]			
7	83.41	81.28	32	66	3-146253-3
7	[3.284]	[3.200]			
7	80.87	78.74	31	64	3-146253-2
7	[3.184]	[3.100]			
7	78.33	76.20	30	62	3-146253-1
7	[3.084]	[3.000]			
7	75.79	73.66	29	60	3-146253-0
7	[2.984]	[2.900]			
7	73.25	71.12	28	58	2-146253-9
7	[2.884]	[2.800]			
7	70.71	68.58	27	56	2-146253-8
7	[2.784]	[2.700]			
7	68.17	66.04	26	54	2-146253-7
7	[2.684]	[2.600]			
7	65.63	63.5	25	52	2-146253-6
7	[2.584]	[2.500]			
7	63.09	60.96	24	50	2-146253-5
7	[2.484]	[2.400]			
7	60.55	58.42	23	48	2-146253-4
7	[2.384]	[2.300]			
7	58.01	55.88	22	46	2-146253-3
7	[2.284]	[2.200]			
7	55.47	53.34	21	44	2-146253-2
7	[2.184]	[2.100]			
7	52.93	50.80	20	42	2-146253-1
7	[2.084]	[2.000]			
7	50.39	48.26	19	40	2-146253-0
7	[1.984]	[1.900]			
7	47.85	45.72	18	38	1-146253-9
7	[1.884]	[1.800]			
7	45.31	43.18	17	36	1-146253-8
7	[1.784]	[1.700]			
7	42.77	40.64	16	34	1-146253-7
7	[1.684]	[1.600]			
7	40.23	38.10	15	32	1-146253-6
7	[1.584]	[1.500]			
7	37.69	35.56	14	30	1-146253-5
7	[1.484]	[1.400]			
7	35.15	33.02	13	28	1-146253-4
7	[1.384]	[1.300]			
7	32.61	30.48	12	26	1-146253-3
7	[1.284]	[1.200]			
7	30.07	27.94	11	24	1-146253-2
7	[1.184]	[1.100]			
7	27.53	25.40	10	22	1-146253-1
7	[1.084]	[1.000]			
7	24.99	22.86	9	20	1-146253-0
7	[.984]	[.900]			
7	22.45	20.32	8	18	146253-9
7	[.884]	[.800]			
7	19.91	17.78	7	16	146253-8
7	[.784]	[.700]			
7	17.37	15.24	6	14	146253-7
7	[.684]	[.600]			
7	14.83	12.70	5	12	146253-6
7	[.584]	[.500]			
7	12.29	10.16	4	10	146253-5
7	[.484]	[.400]			
7	9.75	7.62	3	8	146253-4
7	[.384]	[.300]			
7	7.21	5.08	2	6	146253-3
7	[.284]	[.200]			
7	4.67	2.54	1	4	146253-2
7	[.184]	[.100]			
7	-	-	0	2	146253-1

THIS DRAWING IS A CONTROLLED DOCUMENT.

DW: T. HOFFMAN 08-05-95  
CHK: G. DUBNICZKI 03-10-95  
APVD: G. DUBNICZKI 03-10-95

TE Connectivity  
HEADER ASSEMBLY, MOD II, BREAKAWAY, DOUBLE ROW, HIGH TEMPERATURE

SIZE: A1 CAGE CODE: 00779 DRAWING NO: 146253  
SCALE: 4:1 SHEET: 1 OF 1 REV: H2