

LEAD FREE VERSION

PARTS NUMBER

7332E0225S15LF

7332E0225S15

SEE NOTES

GENERAL :

High cycle life duration smart card connector with semi landing type contacts mechanism. Smart card for reference purpose only.

ELECTRICAL PROPERTIES :

Insulation resistance : > 1000MΩ
Dielectric withstanding voltage : >750 Vrms
Current carrying capacity : Min 10μA, Max 1A
Contact resistance : < 100mΩ

MECHANICAL PROPERTIES :

Operating force : Insertion : F < 10N
Withdrawal : 1 < F < 10N
Contact normal force : 0.2 < F < 0.5N for 0.6mm of deflection
Durability : 50 000 mating cycles

MATERIAL :

Head reader : Pa4/6, Colour Black, Rated UL94V0
Cover : Pa4/6, Colour Grey, Rated UL94V0
Contacts : Copper alloy
Plating : 2.5μm Nickel min. all over
2μm Gold min. on contact area
3μm SnPb(60/40) min. on solder tails
3μm matte tin min. on solder tails(for lead free version)

ENVIRONMENT :

Operating temperature : -20°C / +70°C
Storage temperature : -40°C / +85°C
Climatic condition : UTE 93-421

PACKAGING :

Cavity tray

LEAD FREE VERSION:

"This product meets European Union Directives and other country regulations as described in GS-22-008"

The housing will withstand exposure to 260°C peak temperature for 10seconds in a convection reflow oven.

A

B

C

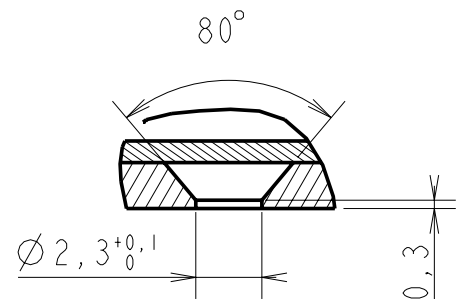
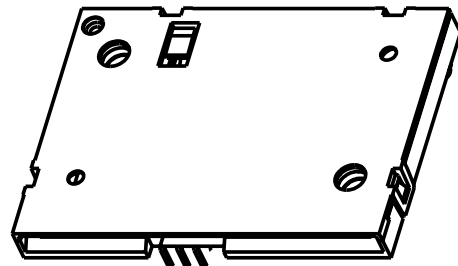
D

A

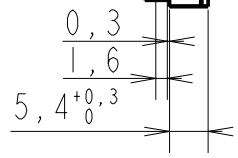
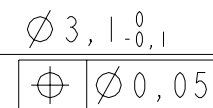
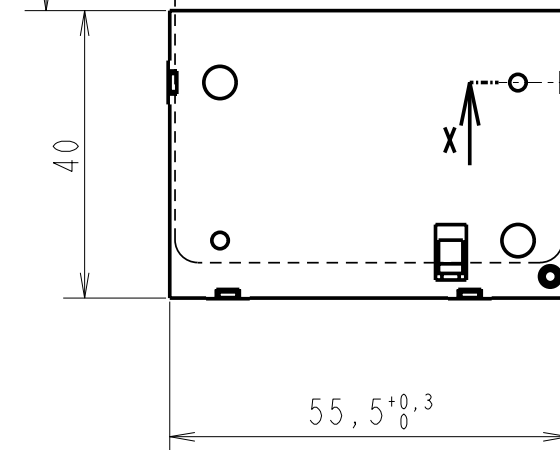
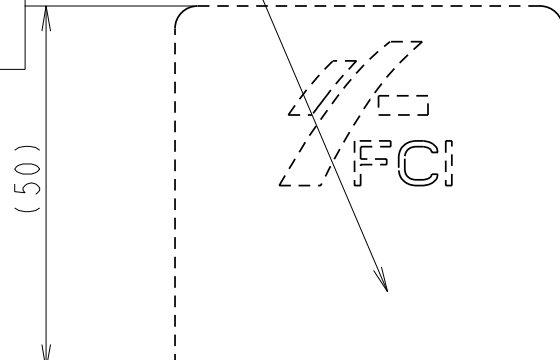
B

C

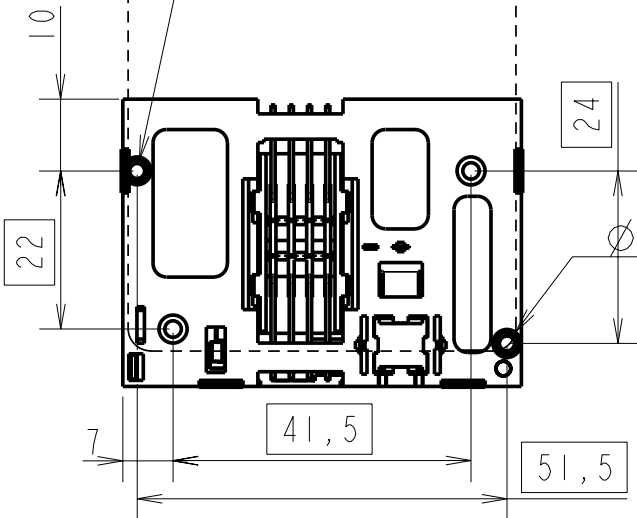
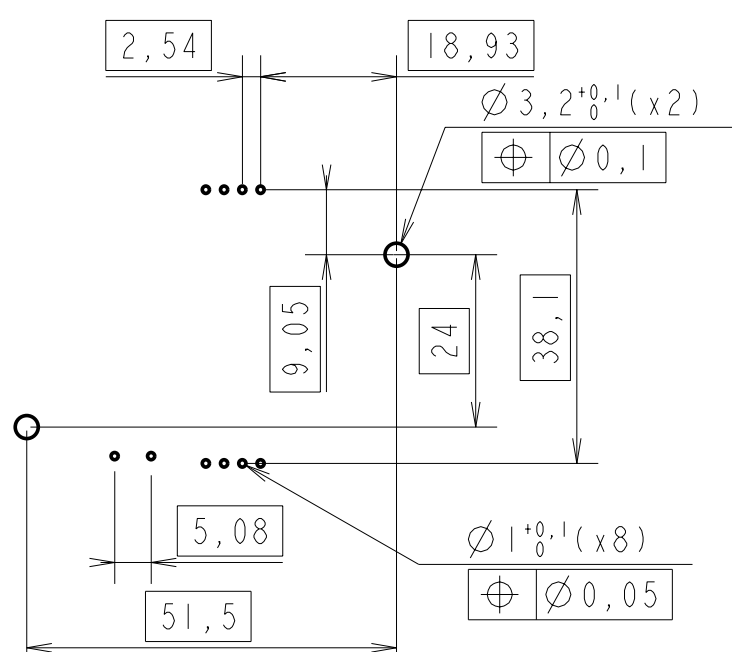
D



SECTION X-X SCALE 4:1



Recommended PCB Layout (Component side)



General Tolerances table with dimensions and tolerances.

Revision history table with columns for rev, ecn no, dr, and date.

Product specification table including website, standards, tolerances, and part numbers.

Copyright FCI