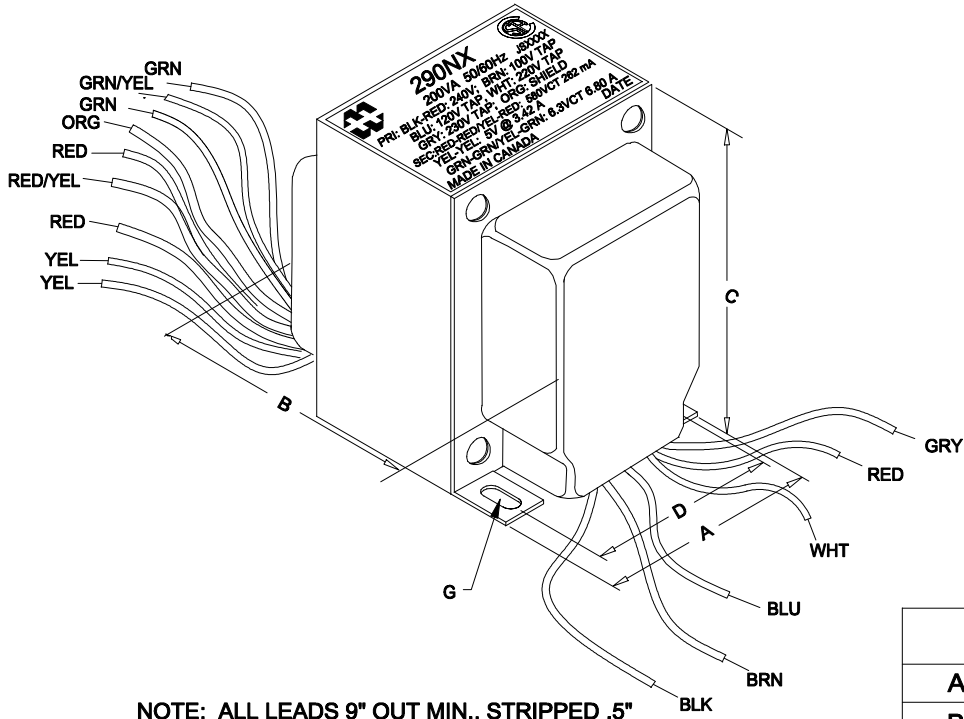
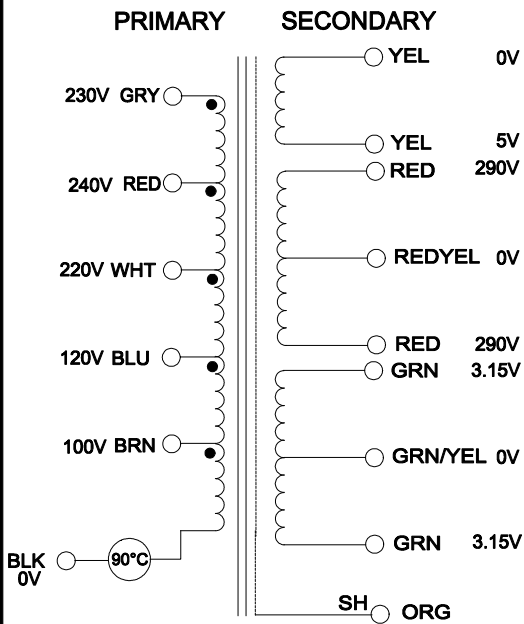


290NX



NOTE: ALL LEADS 9" OUT MIN., STRIPPED .5"

| DIMENSIONS: | |
|-------------|----------------------|
| A | 4.390" ±0.063 |
| B | 4.700" ±MAX |
| C | 5.260" ±0.063 |
| D | 3.520" ±0.063 |
| G | 0.280"X0.400" ±0.063 |



ELECTRICAL DATA:

| | |
|--------------------|--|
| Turns ratio: | 47.73 :1 (YEL - YEL) |
| Exciting Current | @ 100V, 60Hz, BLK - BRN = 212mA Max. |
| DCR | @ 20C, BLK - BRN =1.53 Ω ±20% |
| | @ 20C, BRN - BLU =0.30 Ω ±20% |
| | @ 20C, BLU - WHT =3.41 Ω ±20% |
| | @ 20C, WHT - RED =0.69 Ω ±20% |
| | @ 20C, RED - GRY =0.35 Ω ±20% |
| | @ 20C, RED - RED =68.3 Ω ±20% |
| | @ 20C, YEL - YEL =0.06 Ω ±20% |
| | @ 20C, GRN - GRN =0.04 Ω ±20% |
| Pri. Voltage | 100/120/220/230/240V 50/60Hz |
| Sec. Voltage (RMS) | 580VCT @ 262mA / 6.3VCT @ 6.8A / 5.00V @ 3.42A |
| No Load Voltage | 597.77VCT / 6.73 VCT / 5.29 V |

HAMMOND ELECTRONICS
 52 RANKIN PLACE,
 WATERLOO, ONTARIO, N2L 3Z5.
 PHONE (519) 886-6181
 FAX # (519) 886-9540

TITLE **Power Transformer**

| | | | |
|----|----------|--------------------|----------------|
| 3 | 02/20/13 | Corrected Sec data | DR BY IOAN POP |
| 2 | 01/25/10 | Corrected Sec data | |
| 1 | 08/11/09 | RELEASED | DATE 05/12/09 |
| NO | DATE | REVISION | DIM IN(X)MM() |

290NX