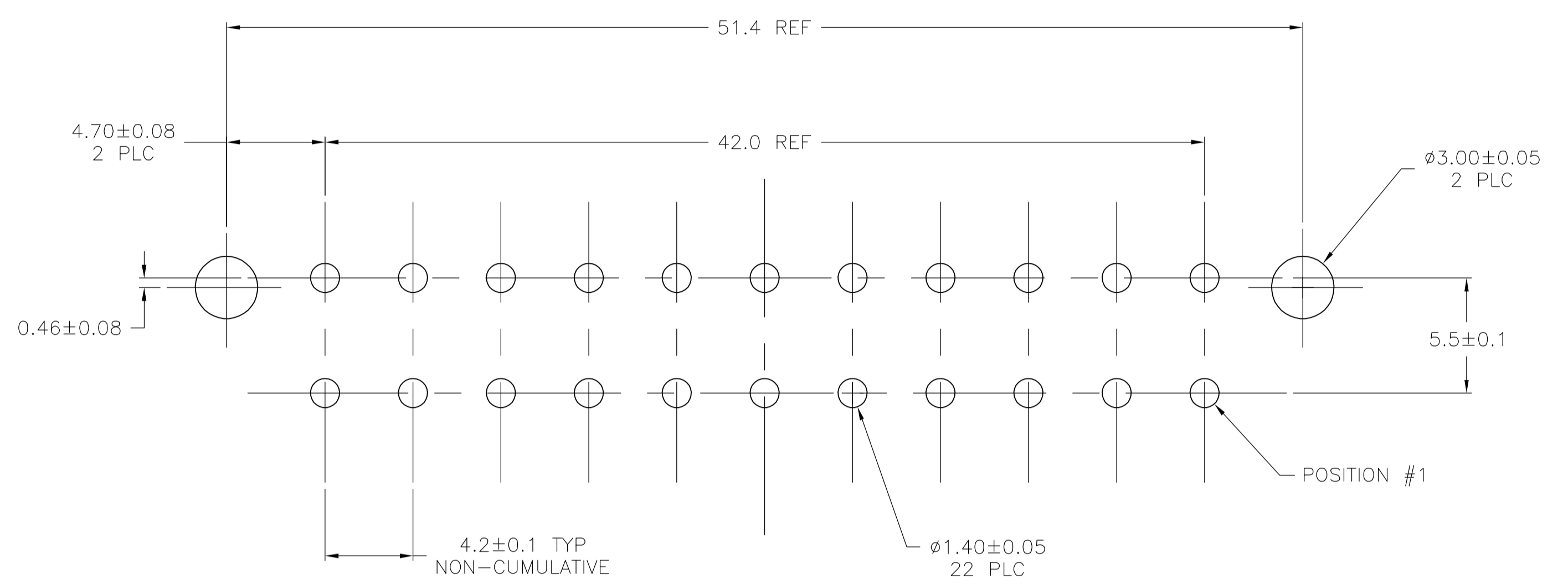
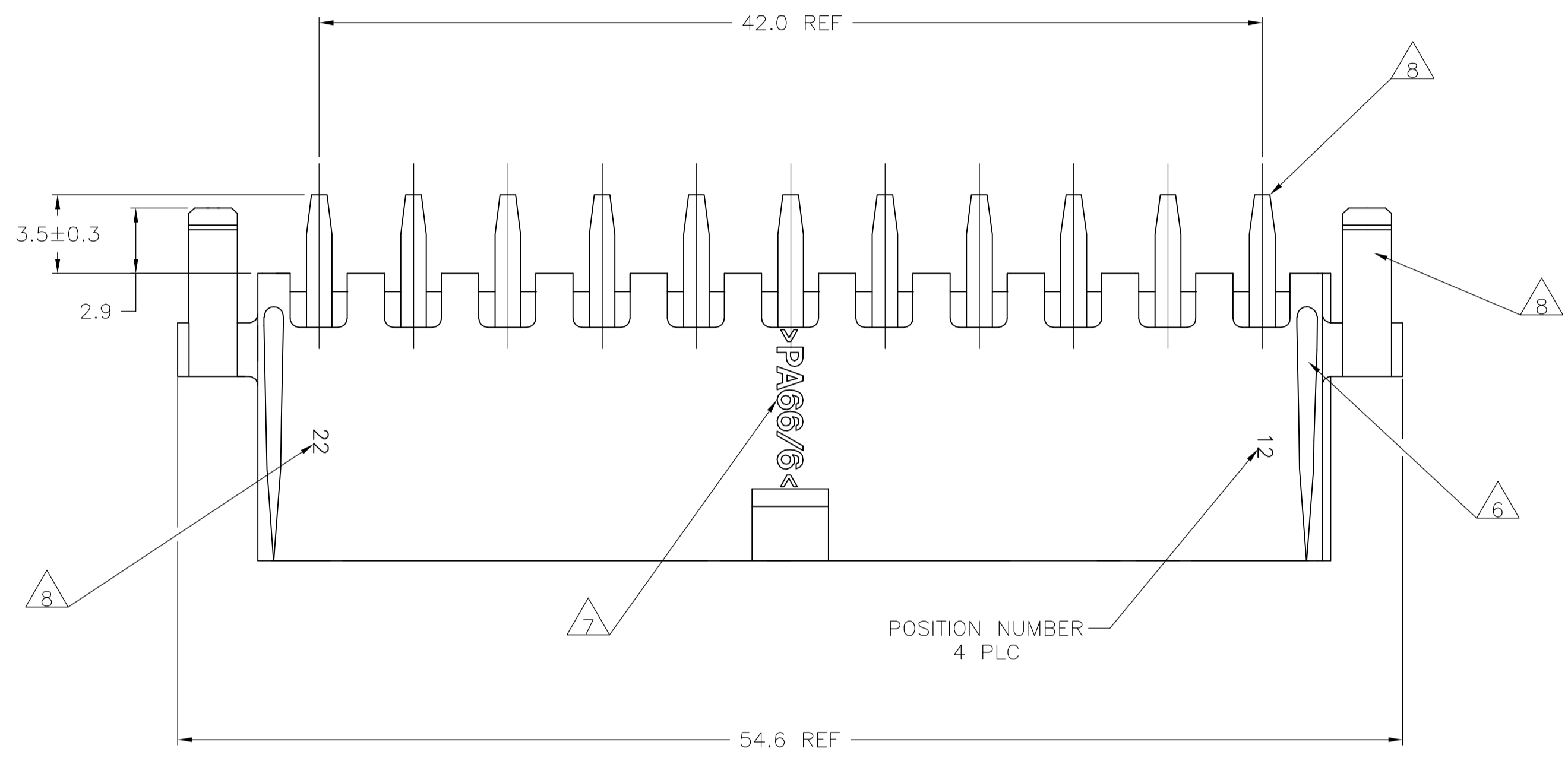
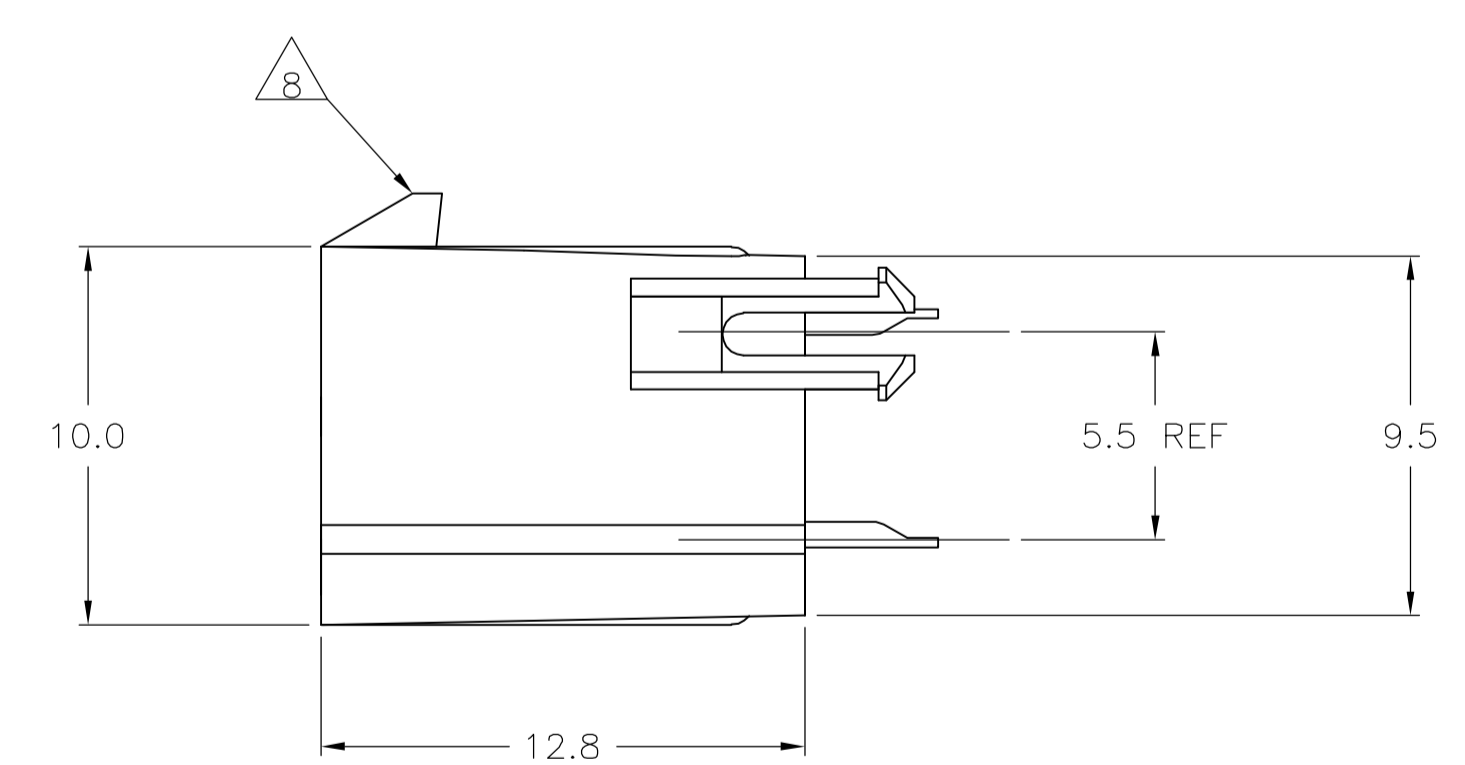
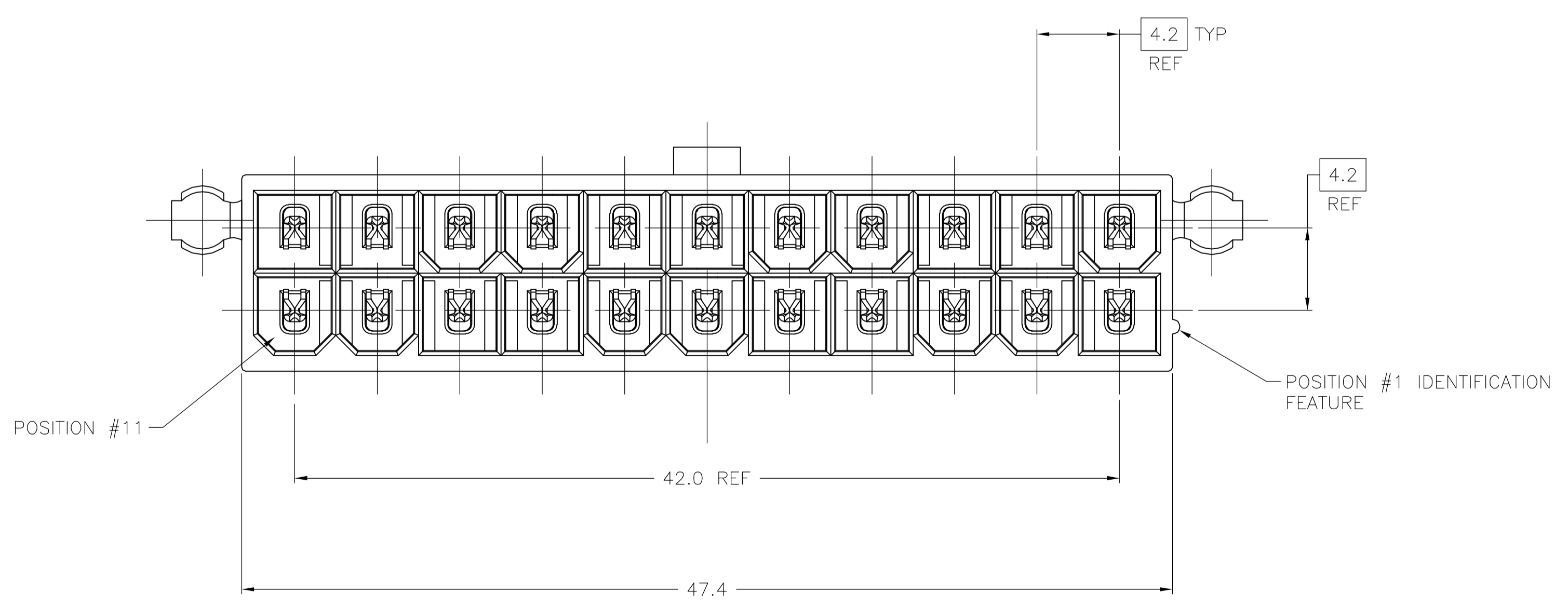


- 1 MATERIAL:  
HOUSING: NYLON, UL94V-0 (COLOR - NATURAL, COLOR OF PARTS MAY VARY).  
CONTACTS: 0.25 THK COPPER ALLOY.
- 2 CONTACT FINISH: 0.003 MIN THK TIN-LEAD OVER 0.00127 MIN THK NICKEL OVER ENTIRE CONTACT.
- 3 CONTACT FINISH: 0.00076 MIN THK GOLD PLATE ON PIN MATING SURFACE, 0.003 MIN THK TIN-LEAD PLATE ON SOLDER TAIL, ALL OVER 0.00127 MIN THK NICKEL BASE PLATE.
- 4. SOLDER TAIL MEETS AMP SOLDERABILITY SPECIFICATION 109-11-2..
- 5. MATES WITH SIMILARLY PLATED AMP-DUAC™ POWER CONNECTOR RECEPTACLE HOUSINGS/SOCKET CONTACTS
- 6 RIBS ON FOUR CORNERS OPTIONAL.
- 7 AMP LOGO AND MATERIAL ID MAY BE LOCATED ON EITHER LONG SIDE OF PART.
- 8 SIZE, SHAPE OR STYLE OF THIS FEATURE MAY VARY.
- 9 CONTACT FINISH: 0.003 MIN THK TIN OVER 0.00127 MIN THK NICKEL OVER ENTIRE CONTACT.
- 10 CONTACT FINISH: 0.00076 MIN THK GOLD PLATE ON PIN MATING SURFACE, 0.003 MIN THK TIN PLATE ON SOLDER TAIL, ALL OVER 0.00127 MIN THK NICKEL BASE PLATE.



COMPONENT SIDE SHOWN  
 RECOMMENDED MOUNTING HOLE PATTERN  
 FOR 1.78 MAX THICK P.C. BOARD



	1	10	1	1	1-794471-2
	1	9	1	1	1-794471-1
SUPERCEDED BY 1-794471-2	1	3	1	1	794471-2
SUPERCEDED BY 1-794471-1	1	2	1	1	794471-1

CONTACT		HOUSING		PART NO.
MATERIAL	FINISH	MATERIAL	COLOR	
THIS DRAWING IS A CONTROLLED DOCUMENT.				
DIMENSIONS: mm		TOLERANCES UNLESS OTHERWISE SPECIFIED:		DIN R VESTAL DBJUN98 CHK R SWING DBJUN98 APVD C CASH DBJUN98 PRODUCT SPEC 108-1699 APPLICATION SPEC SIZE CAGE CODE DRAWING NO WEIGHT -- A1 00779 C=794471 CUSTOMER DRAWING SCALE 5:1 SHEET 1 OF 1 REV E
0 PLC ± - 1 PLC ± 0.2 2 PLC ± 0.13 3 PLC ± - 4 PLC ± - ANGLES ± 0.30°		FINISH SEE TABLE		

Tyco Electronics Corporation  
 Harrisburg, Pa 17105-3608

ASSEMBLY, HEADER, VERTICAL,  
 22 POSITION, W/PEGS, W/DRAIN HOLES,  
 94V-0, AMP-DUAC