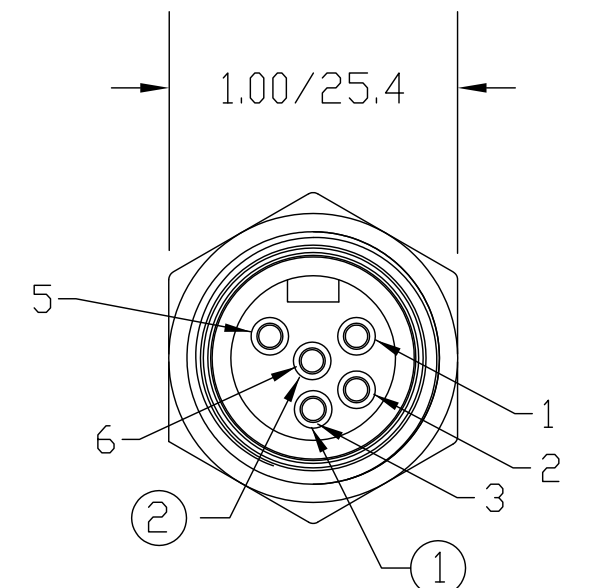
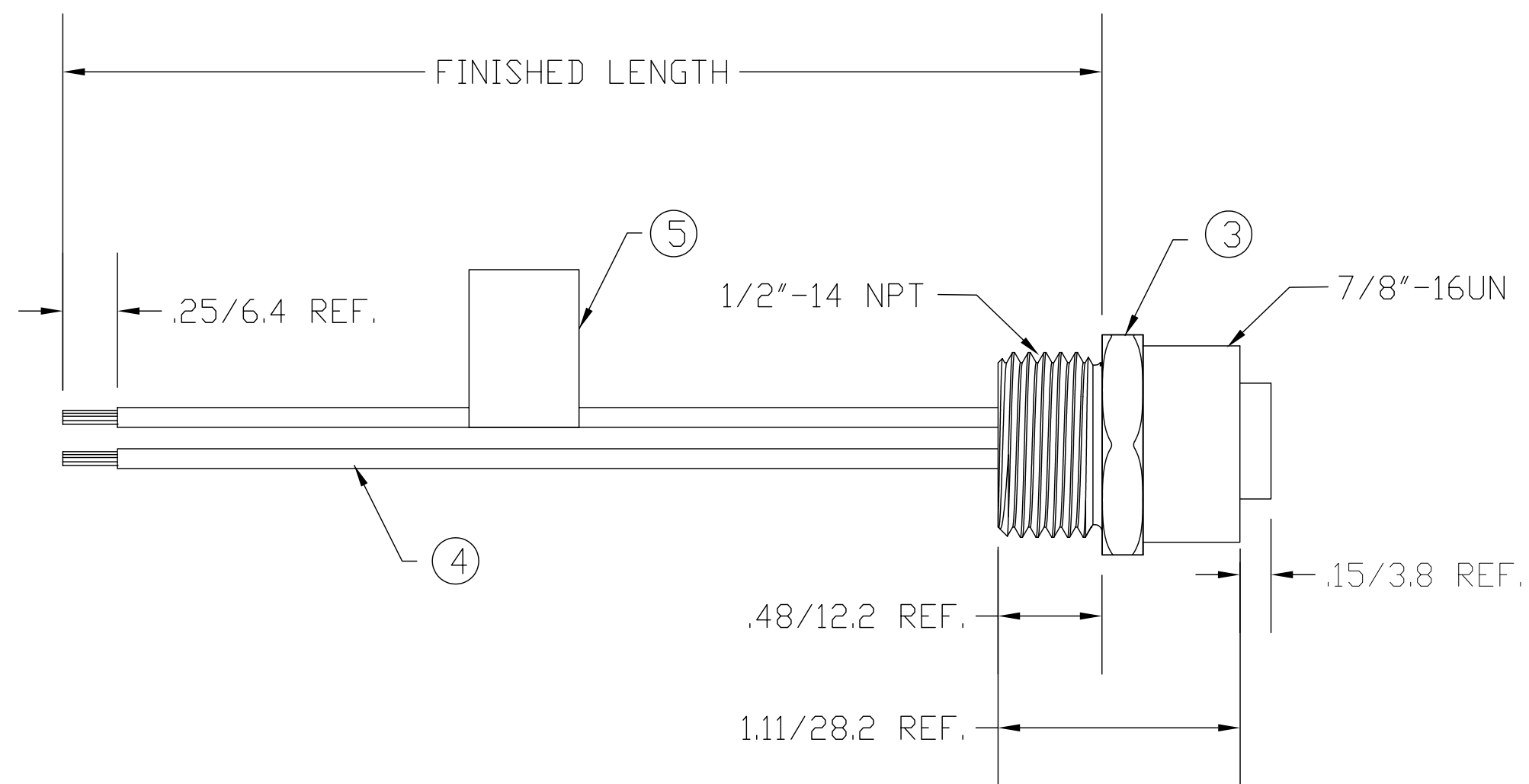
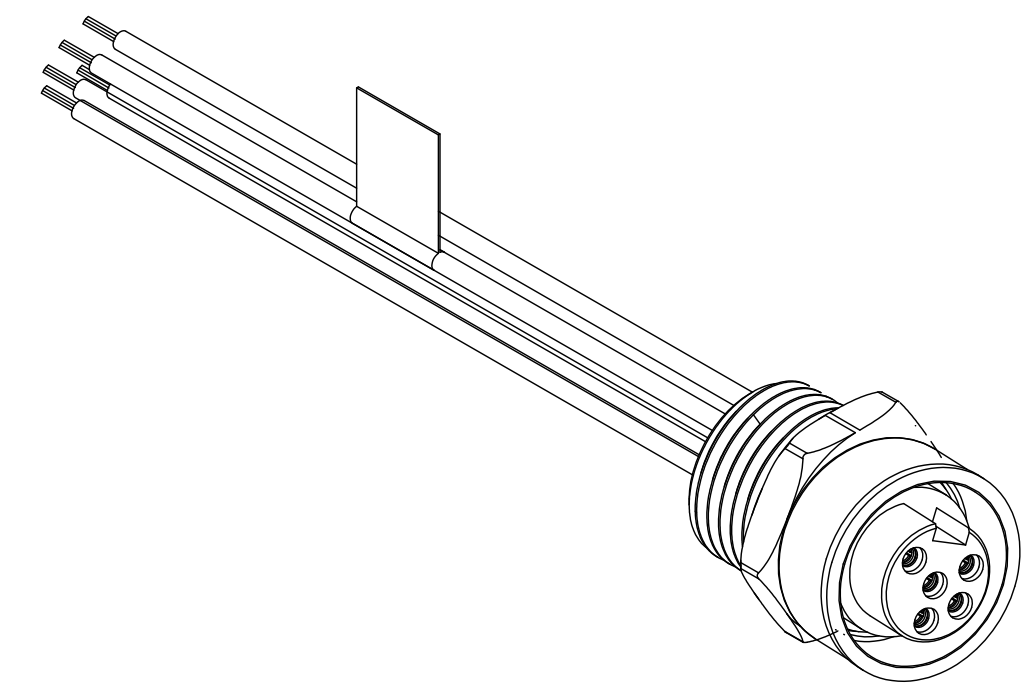


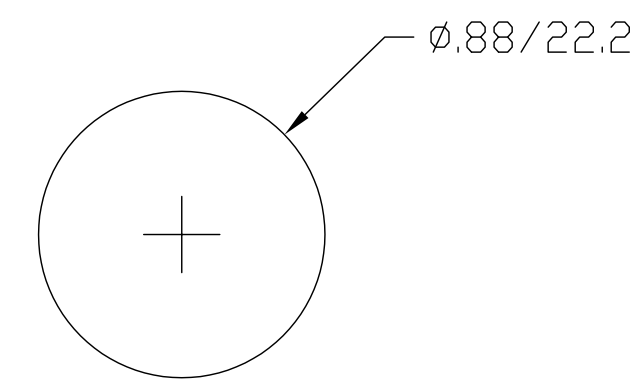
MATERIAL NUMBER	OLD PART NUMBER	FINISHED LENGTH
130013-0991	41671-0030	300' +1.75" -0 [.9M +44.5 -0]



FEMALE FACE VIEW

WIRE COLOR	CONTACT NUMBER
RED	1
BLACK	2
GREEN	3
	4
BLUE	5
WHITE	6

WIRING DIAGRAM



KNOCKOUT HOLE

VOLTAGE RATING	600 VAC/VDC
AMPERAGE RATING	8 AMPS
PROTECTION	IP67
OPERATING TEMPERATURE	-20°C TO 105°C
UL CERTIFICATIONS	UL LISTED, FILE NO. E258922
CSA CERTIFICATIONS	CSA CERTIFIED, FILE NO. LR6837

ITEM	COMPONENT	MATERIAL	FINISH
1	INSERT	PVC	YELLOW
2	CONTACT SOCKET	COPPER ALLOY	GOLD OVER NICKEL
3	RECEPTACLE SHELL	ZINC DIE CAST	BLACK E-COATED
4	CONDUCTOR - 16 AWG. 26 x #30 COPPER STRANDING, 600V	PVC	SEE WIRING DIAGRAM
5	FLAG LABEL	PLASTIC FILM	BLACK/YELLOW

RLSO DRAWING EC NO: WNA2010-0425 DRWN: BWOODMAN2010/01/11 CH'KD: TW APPR: JFMURPHY 2010/01/14 REV A	QUALITY SYMBOL	GENERAL TOLERANCES (UNLESS SPECIFIED)	DIMENSION STYLE	SCALE	DESIGN UNITS	THIRD ANGLE PROJECTION	
	▽=0 ∇=0	4 PLACES ±--- 3 PLACES ±--- 2 PLACES ±0.13 1 PLACE ±0.25	IN/MM	1:1	INCH		
		mm INCH	DRAWN BY DATE	TITLE	MINI-CHANGE RECEPTACLE 5 POLE FEMALE SPECIAL 1/2 NPT 16 AWG		
		ANGULAR ±1/2°	CHECKED BY DATE TW 2010/01/11	APPROVED BY DATE JFMURPHY 2010/01/14	MOLEX INCORPORATED		
	DRAFT WHERE APPLICABLE MUST REMAIN WITHIN DIMENSIONS		MATERIAL NO. SEE CHART	DOCUMENT NO. SD-130013-025	SHEET NO. 1 OF 1		
			SIZE C	THIS DRAWING CONTAINS INFORMATION THAT IS PROPRIETARY TO MOLEX INCORPORATED AND SHOULD NOT BE USED WITHOUT WRITTEN PERMISSION			