

1 2 3 4 5 6

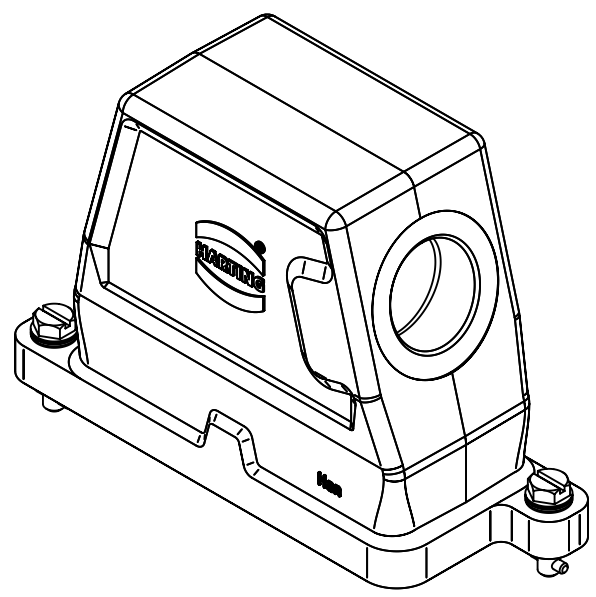
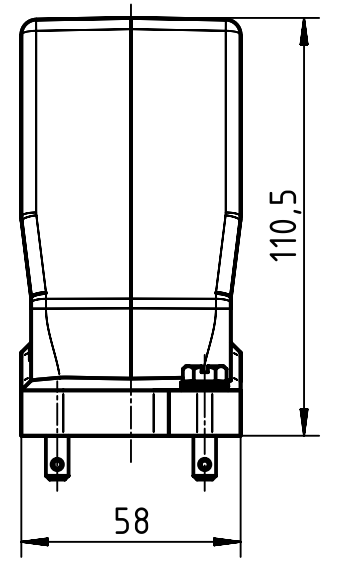
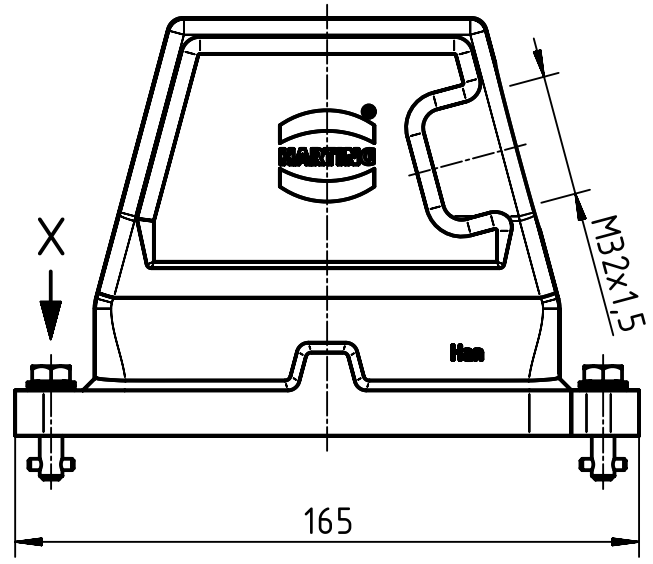
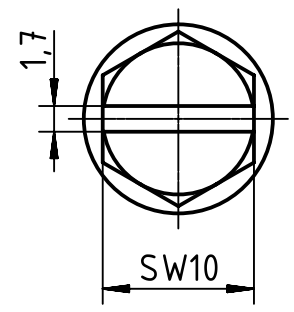
A

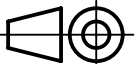

B

C

D

X (2:1)



 All Dimensions in mm Original Size DIN A4	Scale	Free size tol.			Ref.
	1:2				Sub.
 All rights reserved Department EL PD - DE	Created by	Inspected by	Standardisation	Date	State
	FINKEV	SCHNIEDER	RUETERA	2015-01-23	Old Release
HARTING Electric GmbH & Co. KG D-32339 Espelkamp	Title				Doc-Key / ECM-Nr. 100215015/UGD/004/A 500000083951
	Type	Number			
	TB	19 40 016 0502			Rev. A Page 1/1