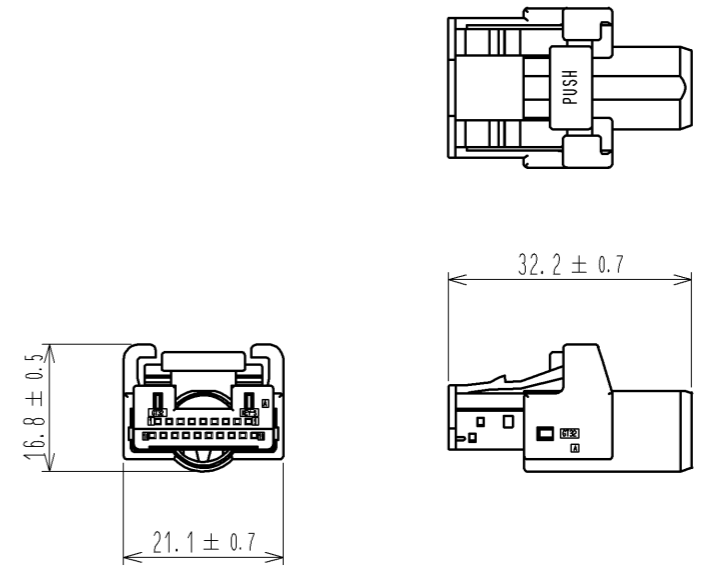
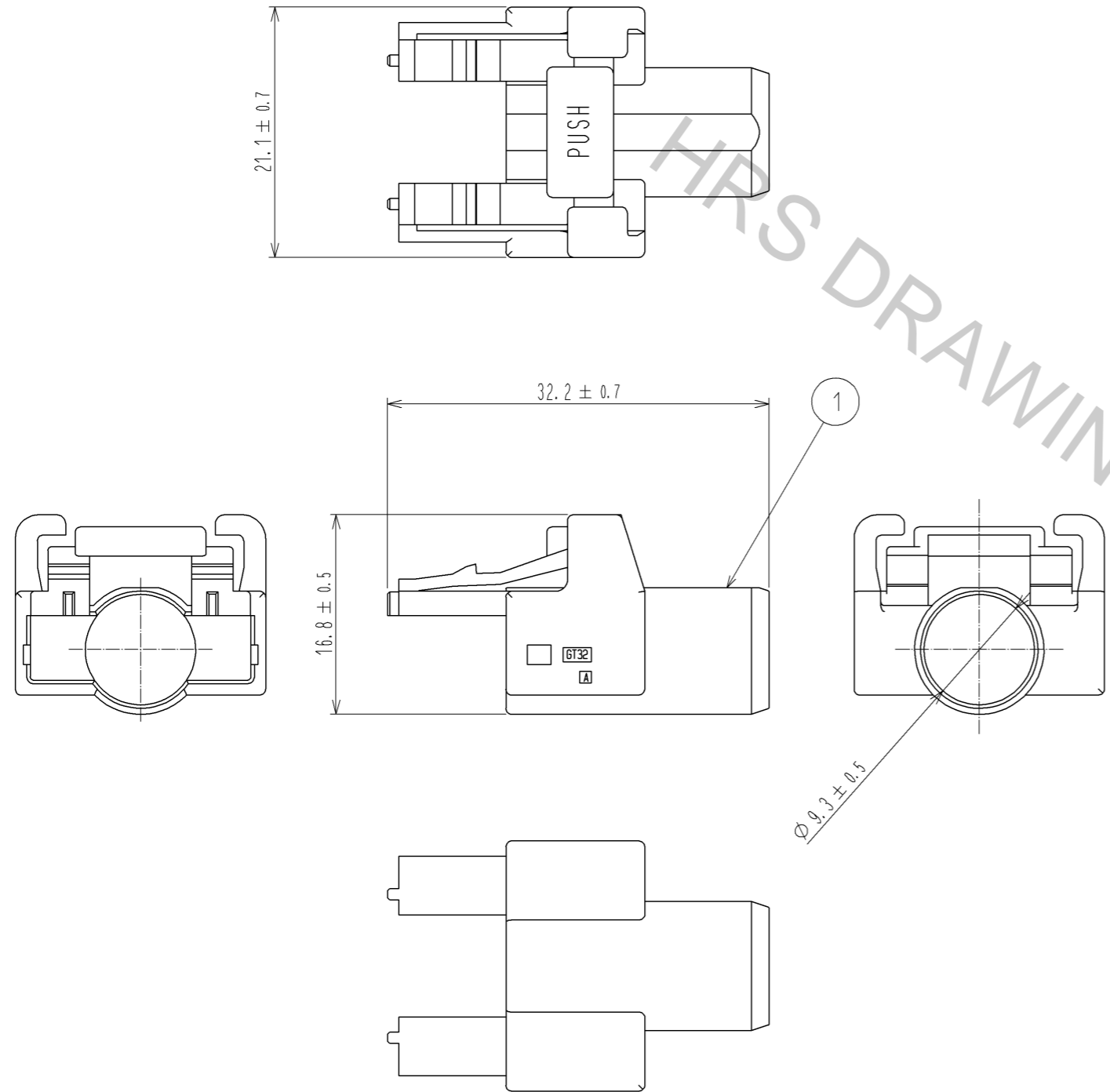
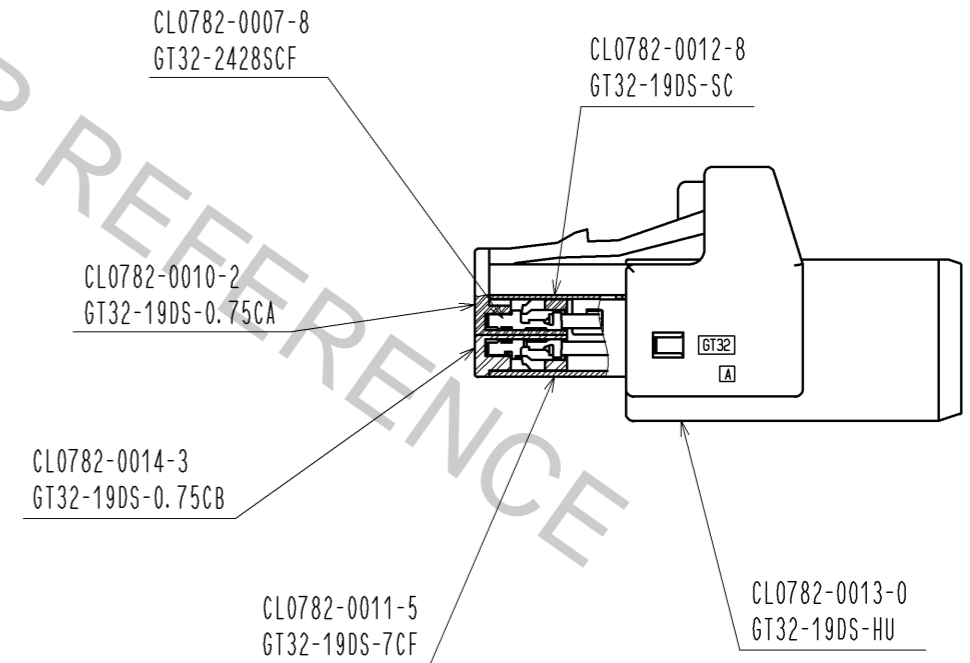


ELV. RoHS COMPLIANT

GT32-19PIN PLUG ASSY DRAWING



(1:1)



1	PBT	DARK GRAY						
NO.	MATERIAL	FINISH .	REMARKS	NO.	MATERIAL	FINISH .	REMARKS	
UNITS		SCALE	COUNT	DESCRIPTION OF REVISIONS		DESIGNED	CHECKED	DATE
mm		2 : 1						
HRS HIROSE ELECTRIC CO., LTD.		APPROVED : NH. NAKATA	13. 05. 09	DRAWING NO.		EDC3-168830-00		
		CHECKED : TS. KUBOTA	13. 05. 09	PART NO.		GT32-19DS-HU		
		DESIGNED : MH. SHOUJI	12. 04. 20	CODE NO.		CL782-0013-0-00		
		DRAWN : MH. SHOUJI	12. 04. 20					