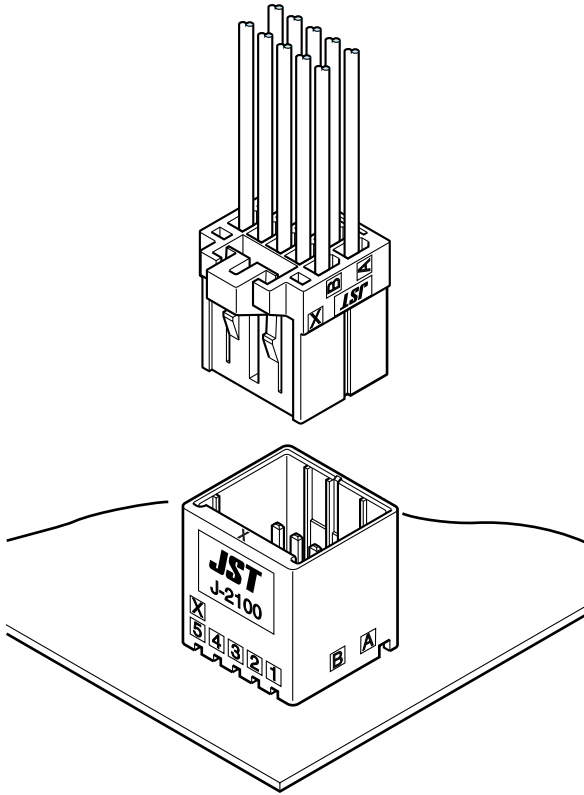


JFA CONNECTOR J2000 SERIES

2.5mm pitch/Disconnectable Crimp style connectors(Wire-to-board/Wire-to-wire)



2.5mm pitch connector for miniaturization of electronic equipment.
Center locking or side locking options can be used depending on the required application.
Receptacle contacts are designed to be common with all JFA connector J2000 series.

- Double-spring construction
- 2 kinds of locking method
- Housing lance
- Clear "click feeling"

Specifications

- Current rating: 4.6A max. AC, DC (3 circuits/AWG #20)
- Voltage rating: 250V AC, DC
- Temperature range: -55°C to +105°C
 (including temperature rise in applying electrical current)
- Withstanding voltage: 1,500V AC/minute
- Applicable wire: AWG #28 to #20 (0.08 to 0.75mm²)
- Applicable PC board thickness: 1.6mm

*Contact JST for details.

*Compliant with RoHS.

Current rating

Unit: A

| Circuits | Wire size (AWG) | | | | |
|----------|-----------------|-----|-----|-----|-----|
| | #20 | #22 | #24 | #26 | #28 |
| 3 | 4.6 | 4.4 | 3.4 | 3.0 | 2.4 |
| 4 | 4.5 | 4.3 | 3.2 | 2.8 | 2.3 |
| 6 | 4.3 | 4.1 | 2.8 | 2.6 | 2.1 |
| 8 | 4.1 | 3.6 | 2.6 | 2.3 | 1.9 |
| 10 | 3.9 | 3.4 | 2.5 | 2.2 | 1.8 |
| 12 | 3.6 | 3.1 | 2.4 | 2.0 | 1.6 |
| 16 | 3.2 | 2.8 | 2.2 | 1.8 | 1.4 |
| 20 | 2.9 | 2.5 | 2.1 | 1.7 | 1.3 |

Standards

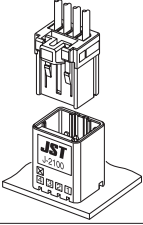
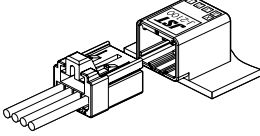
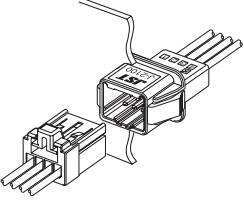
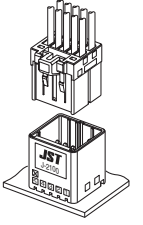
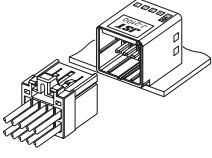
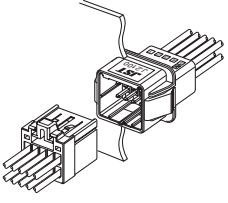
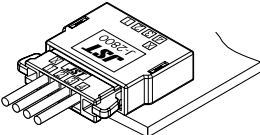
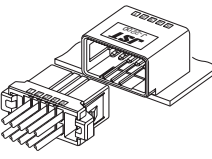
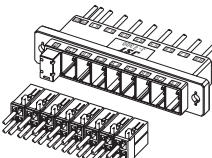
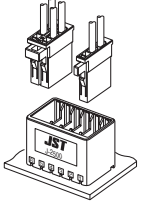
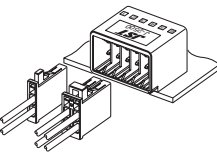
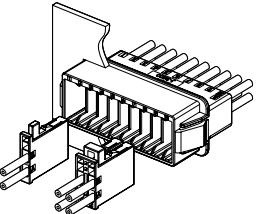
Recognized E60389

Certified LR20812

JFA CONNECTOR/J2000 SERIES

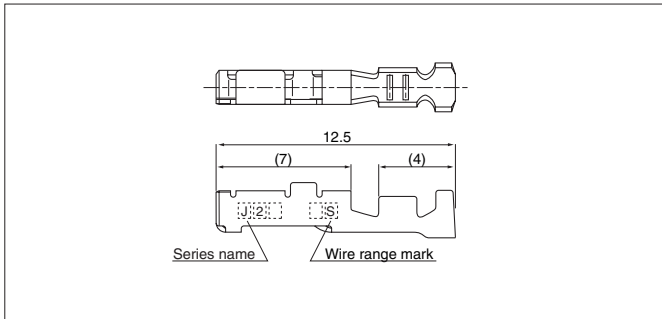
List of J2000 series products

2.5mm pitch / Voltage rating 250V AC, DC

| Type | Wire-to-board | | Wire-to-wire | |
|-------------------------|---------------------------------|---|--|---|
| | Top entry type | Side entry type | Panel mounting type | |
| Center locking type | J2100 Single-row type |  |  |  |
| | Circuits | 3, 4 | 3, 4 | 3, 4 |
| | J2100 Double-row type |  |  |  |
| | Circuits | 6, 8, 10, 12, 16, 20 | 6, 8, 10, 12, 16, 20 | 6, 8, 10, 12, 16, 20 |
| Side locking type | J2800 Single-row type | |  | |
| | Circuits | | 4 | |
| | J2200 Double-row type | |  | |
| | Circuits | | 10 | |
| Common type for sensors | J2300 | | |  |
| | Circuits | | | Output 10 / Input 24 |
| Module type | J2500 |  |  |  |
| | Circuits | 12, 20 | 12, 20 | 20 |

JFA CONNECTOR/J2000 SERIES

Receptacle contact



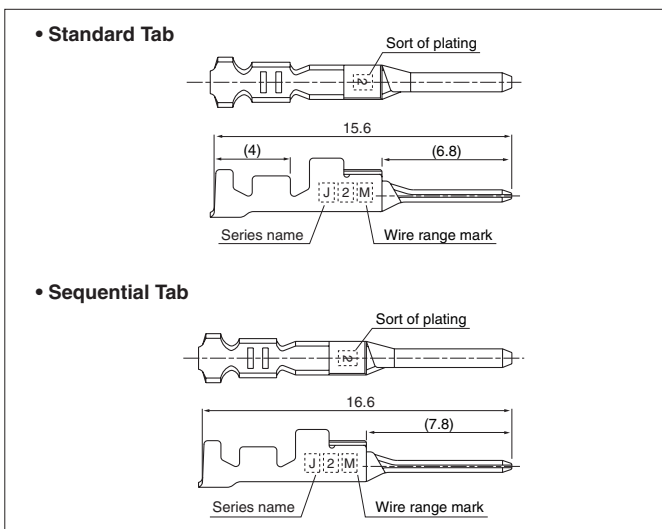
| Strip contact Model No. | Applicable wire | | | Insulation O.D. (mm) | Q'ty / reel |
|-------------------------|-----------------|-----------------|-------|----------------------|-------------|
| | Nominal | mm ² | AWG# | | |
| SJ2F-002GF-P1.0 | S | 0.08~0.20 | 28~24 | 0.88~1.43 | 6,000 |
| SJ2F-01GF-P1.0 | M | 0.20~0.50 | 24~20 | 1.11~1.53 | 6,000 |
| SJ2F-21GF-P1.0 | L | 0.30~0.75 | — | 1.30~1.90 | 5,000 |

Material and Finish

Copper alloy (superior conductivity), nickel-underplated, selective gold-plated

RoHS compliance

Tab contact



| Strip contact Model No. | Applicable wire | | | Insulation O.D. (mm) | Q'ty / reel |
|-------------------------|-----------------|-----------------|-------|----------------------|-------------|
| | Nominal | mm ² | AWG# | | |
| SJ2M-002GF-M1.0N | S | 0.08~0.20 | 28~24 | 0.88~1.43 | 5,500 |
| SJ2M-01GF-M1.0N | M | 0.20~0.50 | 24~20 | 1.11~1.53 | 5,500 |
| SJ2M-21GF-M1.0N | L | 0.30~0.75 | — | 1.30~1.90 | 5,000 |
| SJ2M-01GF-M1.0S | Sequential | 0.20~0.50 | 24~20 | 1.11~1.53 | 5,500 |

Material and Finish

Copper alloy (superior conductivity), nickel-underplated, selective gold-plated

RoHS compliance

Crimping machine, Applicator

| Strip contact Model No. | Crimping machine | Crimp applicator | Dies | Crimp applicator with dies | Hand crimp tools |
|---|------------------|------------------|------------------|----------------------------|------------------|
| SJ2F-002GF-P1.0 SJ2M-002GF-M1.0N | AP-K2N | MKS-L | MK/SJ2F/M-002-10 | APLMK SJ2F/M002-10 | YRS-8851 |
| — | | — | — | — | |
| SJ2F-21GF-P1.0 SJ2M-21GF-M1.0N | AP-K2N | MKS-L | MK/SJ2F/M-21-10 | APLMK SJ2F/M21-10 | YRF-1120 |
| — | | *MKS-SC-J2 | SC/SJ2F/M-21-10 | APLSC SJ2F/M21-10 | |

• Extraction tool for J2000 series: EJ-JFAJ2N

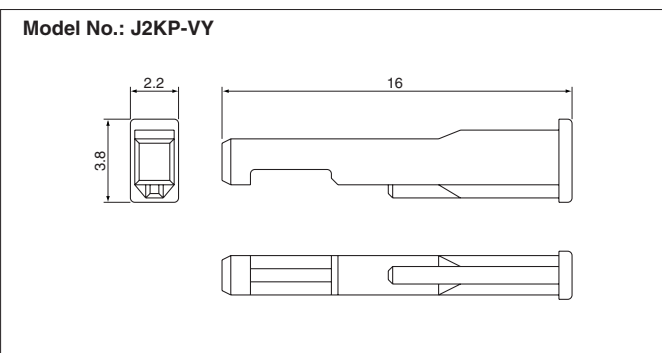
• Refer to page 15, 16 of YRK series hand crimping tools for details.

Note 1.*: Strip-crimp applicator

2. Contact JST for fully automatic crimping applicator.

| Strip contact Model No. | Crimping machine | Crimp applicator | Dies | Crimp applicator with dies | Hand crimp tools |
|---|------------------|------------------|-------------------|----------------------------|------------------|
| SJ2F-01GF-P1.0 SJ2M-01GF-M1.0N SJ2M-01GF-M1.0S | AP-K2N | MKS-L | MK/SJ2F/M-01-10 | APLMK SJ2F/M01-10 | YRS-8861 |
| *MKS-SC-J2 | | SC/SJ2F/M-01-10 | APLSC SJ2F/M01-10 | | |

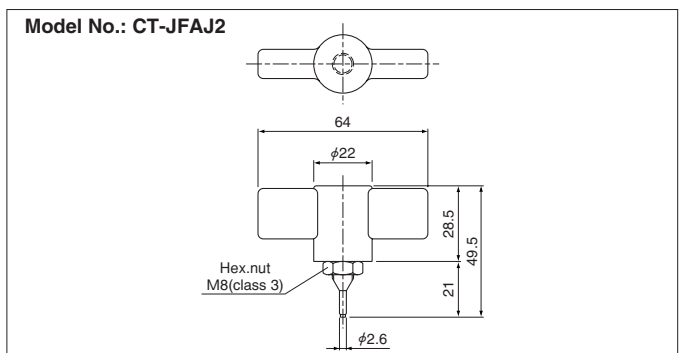
Keying plug



RoHS compliance

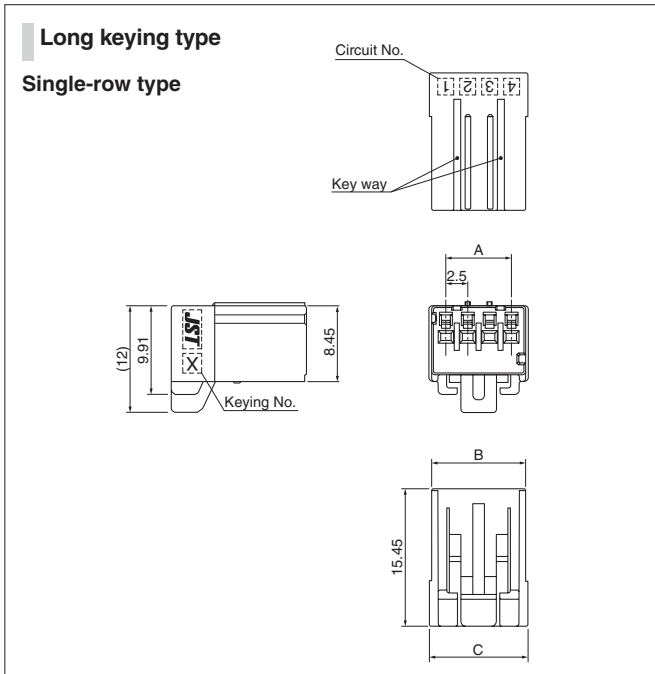
3 JST

Tab contact cutting tool



J2000 SERIES/J2100

Receptacle housing (Center locking type)



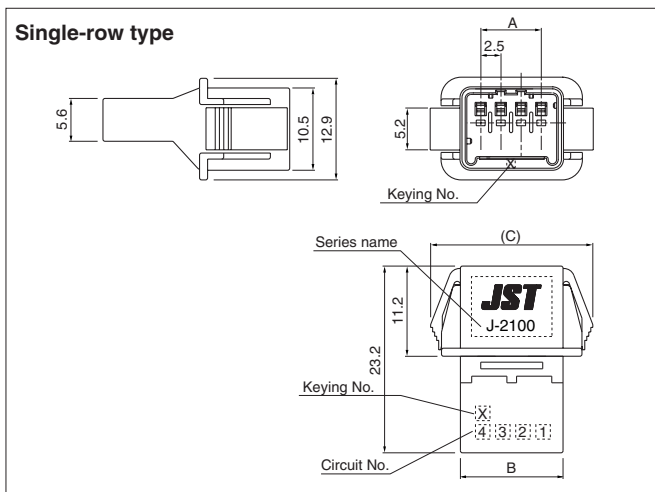
| Circuits | Keying | Model No. | Dimensions (mm) | | | Qty / bag |
|----------|--------|----------------|-----------------|------|------|-----------|
| | | | A | B | C | |
| 3 | X | J21SF-03V-KX-L | 5.0 | 8.3 | 8.9 | 400 |
| | Y | J21SF-03V-KY-L | 5.0 | 8.3 | 8.9 | 400 |
| 4 | X | J21SF-04V-KX-L | 7.5 | 10.8 | 11.4 | 400 |
| | Y | J21SF-04V-KY-L | 7.5 | 10.8 | 11.4 | 400 |

Material

Glass-filled PBT, UL94V-0, black

RoHS compliance

Tab housing (Panel mounting type)



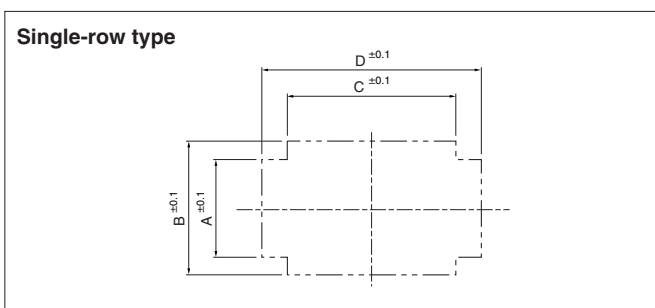
| Circuits | Keying | Model No. | Dimensions (mm) | | | Qty / box |
|----------|--------|---------------|-----------------|------|------|-----------|
| | | | A | B | (C) | |
| 3 | X | J21SPM-03V-KX | 5.0 | 10.2 | 17.6 | 208 |
| | Y | J21SPM-03V-KY | 5.0 | 10.2 | 17.6 | 208 |
| 4 | X | J21SPM-04V-KX | 7.5 | 12.7 | 20.1 | 192 |
| | Y | J21SPM-04V-KY | 7.5 | 12.7 | 20.1 | 192 |

Material

Glass-filled PBT, UL94V-0, black

RoHS compliance

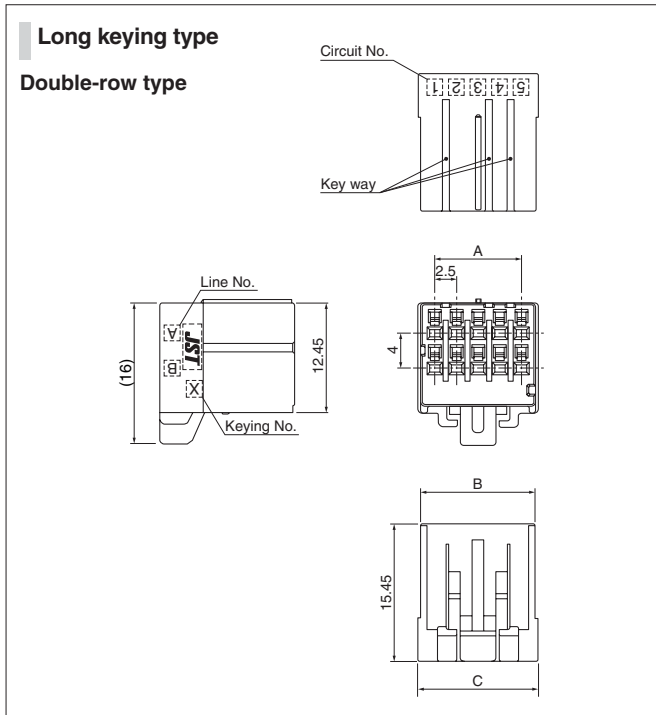
Panel layout



| Circuits | Dimensions (mm) | | | |
|----------|-----------------|------|------|------|
| | A | B | C | D |
| 3 | 7.8 | 10.8 | 10.5 | 15.2 |
| 4 | 7.8 | 10.8 | 13.0 | 17.7 |

J2000 SERIES/J2100

Receptacle housing (Center locking type)



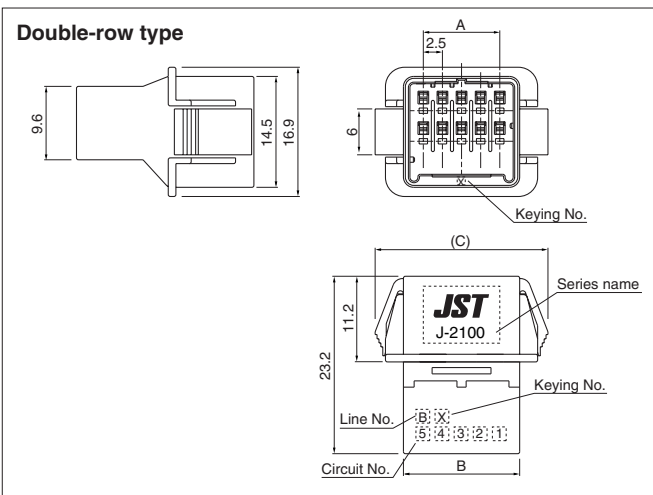
| Circuits | Keying | Model No. | Dimensions (mm) | | | Q'ty / bag |
|----------|--------|----------------|-----------------|------|------|------------|
| | | | A | B | C | |
| 6 | X | J21DF-06V-KX-L | 5.0 | 8.3 | 8.9 | 300 |
| | Y | J21DF-06V-KY-L | 5.0 | 8.3 | 8.9 | 300 |
| 8 | X | J21DF-08V-KX-L | 7.5 | 10.8 | 11.4 | 300 |
| | Y | J21DF-08V-KY-L | 7.5 | 10.8 | 11.4 | 300 |
| 10 | X | J21DF-10V-KX-L | 10.0 | 13.3 | 13.9 | 200 |
| | Y | J21DF-10V-KY-L | 10.0 | 13.3 | 13.9 | 200 |
| 12 | X | J21DF-12V-KX-L | 12.5 | 15.8 | 16.4 | 200 |
| | Y | J21DF-12V-KY-L | 12.5 | 15.8 | 16.4 | 200 |
| 16 | X | J21DF-16V-KX-L | 17.5 | 20.8 | 21.4 | 200 |
| | Y | J21DF-16V-KY-L | 17.5 | 20.8 | 21.4 | 200 |
| 20 | X | J21DF-20V-KX-L | 22.5 | 25.8 | 26.4 | 100 |
| | Y | J21DF-20V-KY-L | 22.5 | 25.8 | 26.4 | 100 |

Material

Glass-filled PBT, UL94V-0, black

RoHS compliance

Tab housing (Panel mounting type)



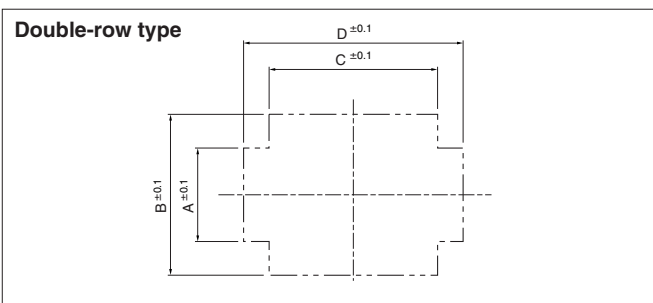
| Circuits | Keying | Model No. | Dimensions (mm) | | | Q'ty / box |
|----------|--------|---------------|-----------------|------|------|------------|
| | | | A | B | (C) | |
| 6 | X | J21DPM-06V-KX | 5.0 | 10.2 | 17.6 | 156 |
| | Y | J21DPM-06V-KY | 5.0 | 10.2 | 17.6 | 156 |
| 8 | X | J21DPM-08V-KX | 7.5 | 12.7 | 20.1 | 144 |
| | Y | J21DPM-08V-KY | 7.5 | 12.7 | 20.1 | 144 |
| 10 | X | J21DPM-10V-KX | 10.0 | 15.2 | 22.6 | 120 |
| | Y | J21DPM-10V-KY | 10.0 | 15.2 | 22.6 | 120 |
| 12 | X | J21DPM-12V-KX | 12.5 | 17.7 | 25.1 | 108 |
| | Y | J21DPM-12V-KY | 12.5 | 17.7 | 25.1 | 108 |
| 16 | X | J21DPM-16V-KX | 17.5 | 22.7 | 30.1 | 84 |
| | Y | J21DPM-16V-KY | 17.5 | 22.7 | 30.1 | 84 |
| 20 | X | J21DPM-20V-KX | 22.5 | 27.7 | 35.1 | 72 |
| | Y | J21DPM-20V-KY | 22.5 | 27.7 | 35.1 | 72 |

Material

Glass-filled PBT, UL94V-0, black

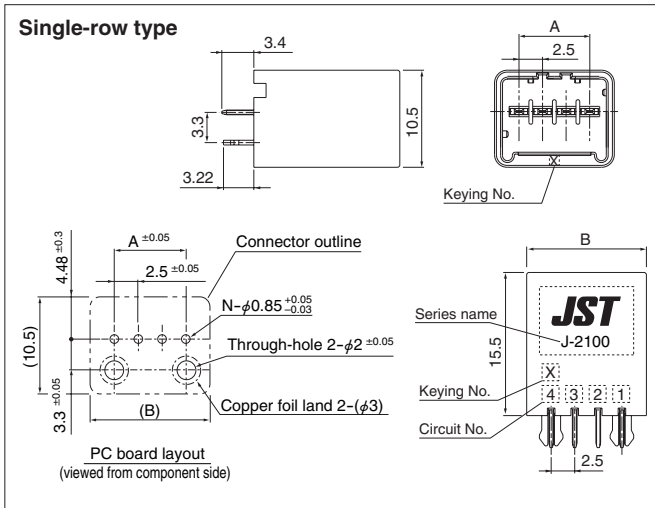
RoHS compliance

Panel layout



| Circuits | Dimensions (mm) | | | |
|----------|-----------------|------|------|------|
| | A | B | C | D |
| 6 | 8.6 | 14.8 | 10.5 | 15.2 |
| 8 | 8.6 | 14.8 | 13.0 | 17.7 |
| 10 | 8.6 | 14.8 | 15.5 | 20.2 |
| 12 | 8.6 | 14.8 | 18.0 | 22.7 |
| 16 | 8.6 | 14.8 | 23.0 | 27.7 |
| 20 | 8.6 | 14.8 | 28.0 | 32.7 |

Header Top entry type (Center locking type)



| Circuits | Keying | Model No. | Dimensions (mm) | | Q'ty / box |
|----------|--------|------------------------|-----------------|------|------------|
| | | | A | B | |
| 3 | X | B03B-J21SK-GGXR | 5.0 | 10.2 | 378 |
| | Y | B03B-J21SK-GGYR | 5.0 | 10.2 | 378 |
| 4 | X | B04B-J21SK-GGXR | 7.5 | 12.7 | 306 |
| | Y | B04B-J21SK-GGYR | 7.5 | 12.7 | 306 |

Material and Finish

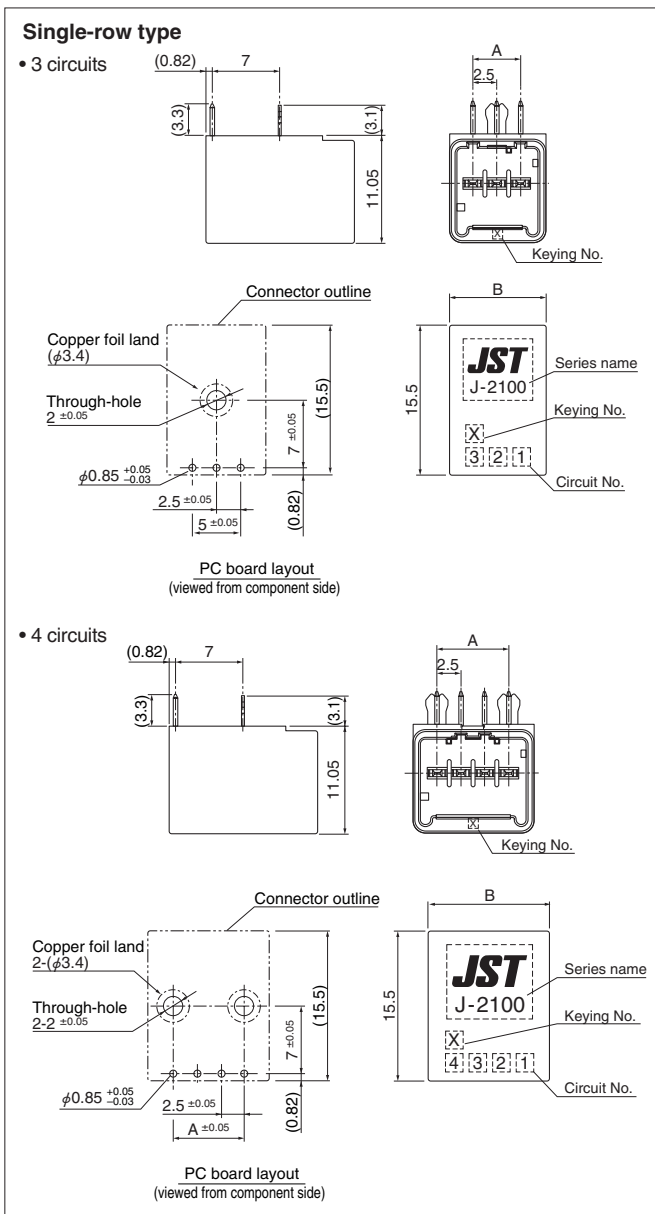
Tab contact: Copper alloy, nickel-undercoated, selective gold-plated

Housing: Glass-filled PBT, UL94V-0, black

Reinforcing metal fixture: Copper alloy, nickel-undercoated, selective gold-plated

RoHS compliance This product displays (LF)(AU) on a label.

Header Side entry type (Center locking type)



| Circuits | Keying | Model No. | Dimensions (mm) | | Q'ty / box |
|----------|--------|------------------------|-----------------|------|------------|
| | | | A | B | |
| 3 | X | S03B-J21SK-GGXR | 5.0 | 10.2 | 294 |
| | Y | S03B-J21SK-GGYR | 5.0 | 10.2 | 294 |
| 4 | X | S04B-J21SK-GGXR | 7.5 | 12.7 | 238 |
| | Y | S04B-J21SK-GGYR | 7.5 | 12.7 | 238 |

Material and Finish

Tab contact: Copper alloy, nickel-undercoated, selective gold-plated

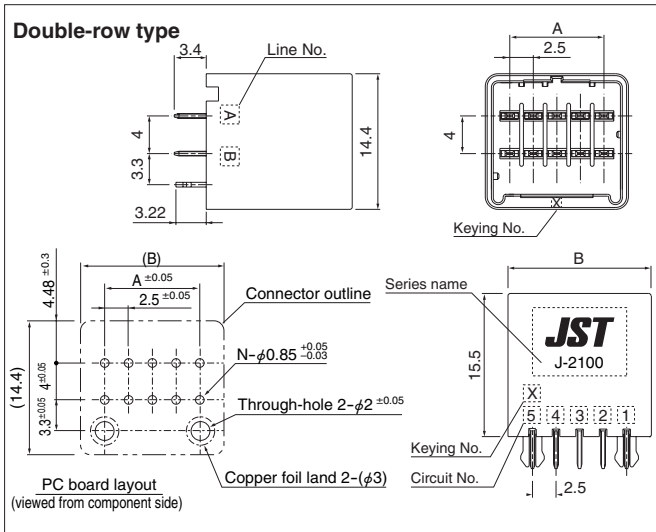
Housing: Glass-filled PBT, UL94V-0, black

Reinforcing metal fixture: Copper alloy, nickel-undercoated, selective gold-plated

RoHS compliance This product displays (LF)(AU) on a label.

J2000 SERIES/J2100

Header Top entry type (Center locking type)



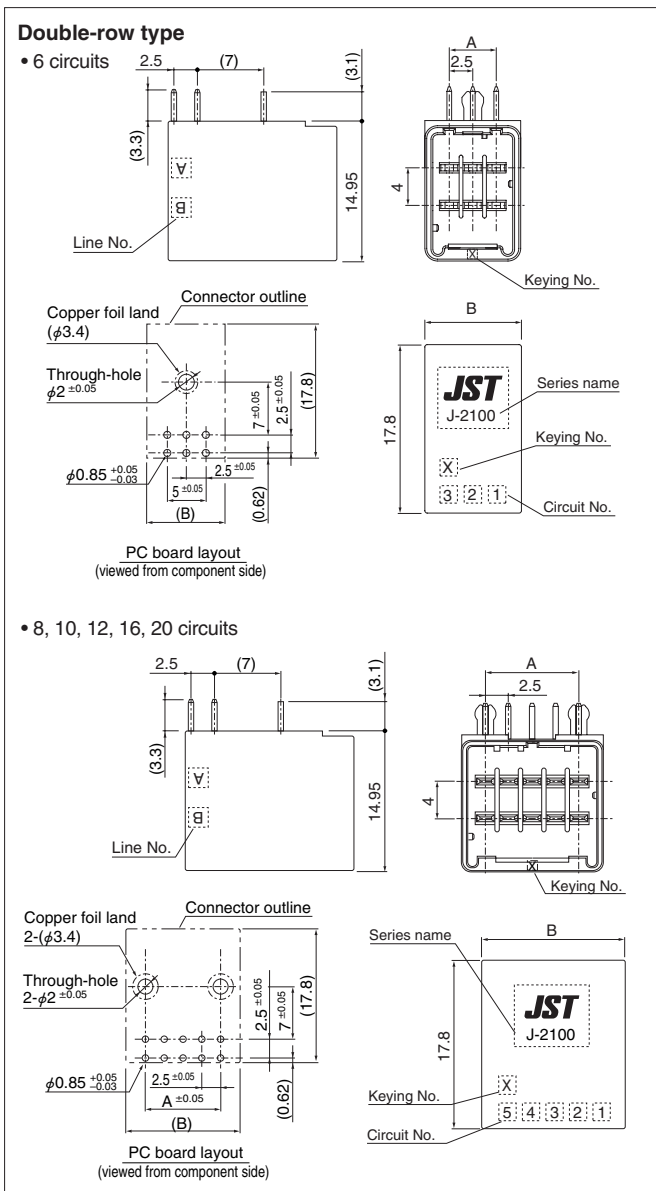
| Circuits | Keying | Model No. | Dimensions (mm) | | Q'ty / box |
|----------|--------|-----------------|-----------------|------|------------|
| | | | A | B | |
| 6 | X | B06B-J21DK-GGXR | 5.0 | 10.2 | 252 |
| | Y | B06B-J21DK-GGYR | 5.0 | 10.2 | 252 |
| 8 | X | B08B-J21DK-GGXR | 7.5 | 12.7 | 204 |
| | Y | B08B-J21DK-GGYR | 7.5 | 12.7 | 204 |
| 10 | X | B10B-J21DK-GGXR | 10.0 | 15.2 | 168 |
| | Y | B10B-J21DK-GGYR | 10.0 | 15.2 | 168 |
| 12 | X | B12B-J21DK-GGXR | 12.5 | 17.7 | 144 |
| | Y | B12B-J21DK-GGYR | 12.5 | 17.7 | 144 |
| 16 | X | B16B-J21DK-GGXR | 17.5 | 22.7 | 108 |
| | Y | B16B-J21DK-GGYR | 17.5 | 22.7 | 108 |
| 20 | X | B20B-J21DK-GGXR | 22.5 | 27.7 | 84 |
| | Y | B20B-J21DK-GGYR | 22.5 | 27.7 | 84 |

Material and Finish

Tab contact: Copper alloy, nickel-undercoated, selective gold-plated
Housing: Glass-filled PBT, UL94V-0, black
Reinforcing metal fixture: Copper alloy, nickel-undercoated, selective gold-plated

RoHS compliance This product displays (LF) (AU) on a label.

Header Side entry type (Center locking type)



| Circuits | Keying | Model No. | Dimensions (mm) | | Q'ty / box |
|----------|--------|-----------------|-----------------|------|------------|
| | | | A | B | |
| 6 | X | S06B-J21DK-GGXR | 5.0 | 10.2 | 252 |
| | Y | S06B-J21DK-GGYR | 5.0 | 10.2 | 252 |
| 8 | X | S08B-J21DK-GGXR | 7.5 | 12.7 | 204 |
| | Y | S08B-J21DK-GGYR | 7.5 | 12.7 | 204 |
| 10 | X | S10B-J21DK-GGXR | 10.0 | 15.2 | 168 |
| | Y | S10B-J21DK-GGYR | 10.0 | 15.2 | 168 |
| 12 | X | S12B-J21DK-GGXR | 12.5 | 17.7 | 144 |
| | Y | S12B-J21DK-GGYR | 12.5 | 17.7 | 144 |
| 16 | X | S16B-J21DK-GGXR | 17.5 | 22.7 | 108 |
| | Y | S16B-J21DK-GGYR | 17.5 | 22.7 | 108 |
| 20 | X | S20B-J21DK-GGXR | 22.5 | 27.7 | 84 |
| | Y | S20B-J21DK-GGYR | 22.5 | 27.7 | 84 |

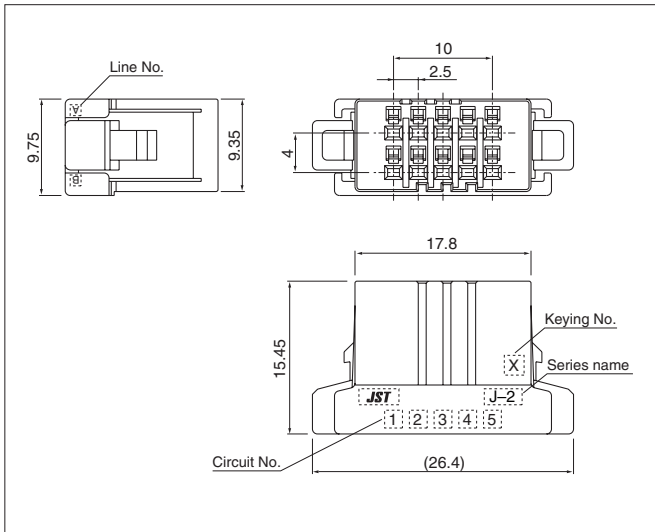
Material and Finish

Tab contact: Copper alloy, nickel-undercoated, selective gold-plated
Housing: Glass-filled PBT, UL94V-0, black
Reinforcing metal fixture: Copper alloy, nickel-undercoated, selective gold-plated

RoHS compliance This product displays (LF) (AU) on a label.

J2000 SERIES/J2200

Receptacle housing (Side locking type)



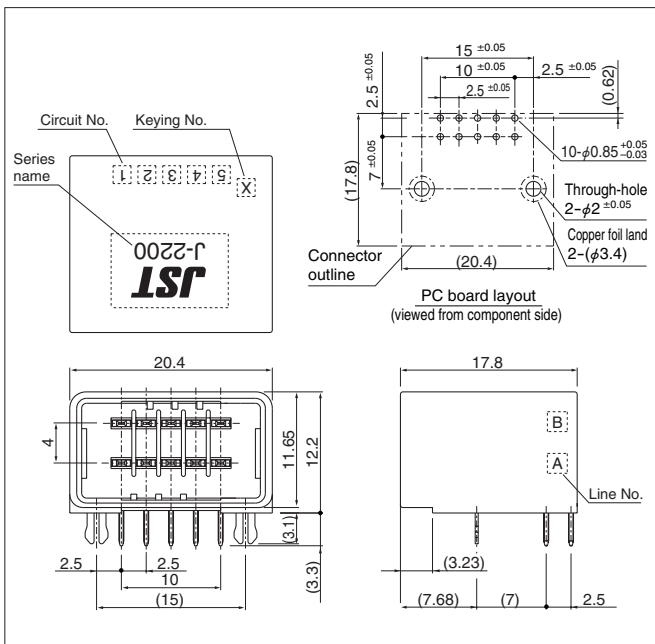
| Circuits | Keying | Model No. | Q'ty / bag |
|----------|--------|---------------------|------------|
| 10 | X | J22DF-10V-KX | 250 |
| | Y | J22DF-10V-KY | 250 |

Material

Glass-filled PBT, UL94V-0, black

RoHS compliance

Header Side entry type (Side locking type)



| Circuits | Keying | Model No. | Q'ty / box |
|----------|--------|------------------------|------------|
| 10 | X | S10B-J22DK-GGXR | 120 |
| | Y | S10B-J22DK-GGYR | 120 |

Material and Finish

Tab contact: Copper alloy, nickel-undercoated, selective gold-plated

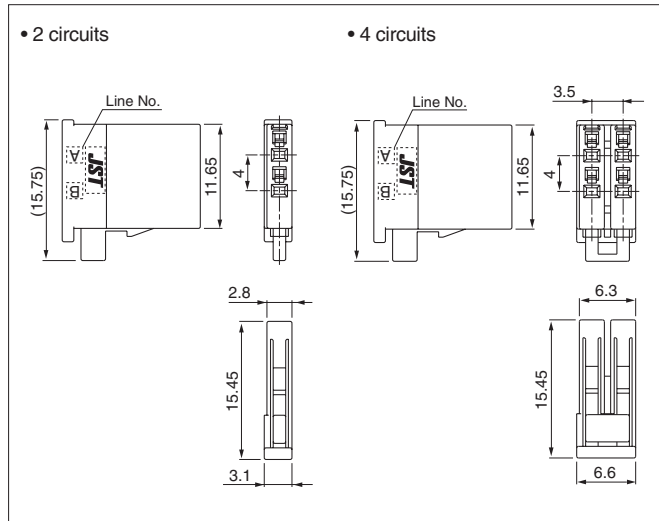
Housing: Glass-filled PBT, UL94V-0, black

Reinforcing metal fixture: Copper alloy, nickel-undercoated, selective gold-plated

RoHS compliance This product displays (LF)(AU) on a label.

J2000 SERIES/J2500

Receptacle housing (Module type)



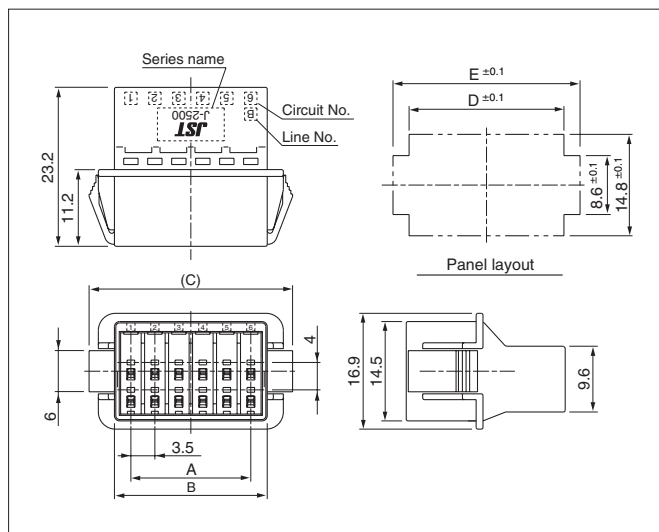
| Circuits | Keying | Model No. | Q'ty / bag |
|----------|--------|--------------------|------------|
| 2 | — | J25MF-02V-K | 800 |
| 4 | — | J25MF-04V-K | 400 |

Material

Glass-filled PBT, UL94V-0, black

RoHS compliance

Tab housing (Panel mounting type)



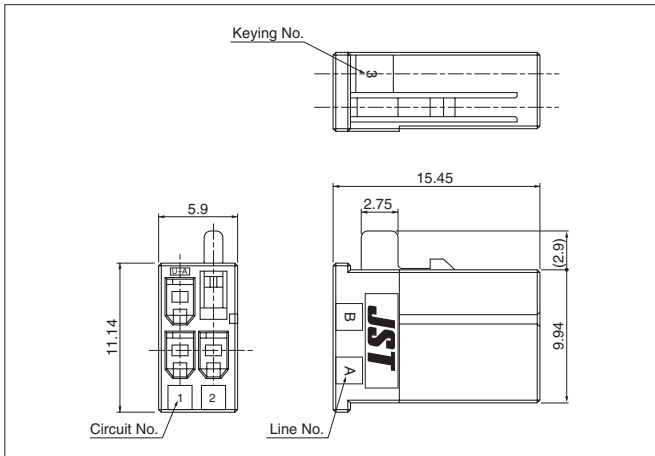
| Circuits | Keying | Model No. | Dimensions (mm) | | | | | Q'ty / box |
|----------|--------|---------------------|-----------------|------|------|------|------|------------|
| | | | A | B | (C) | D | E | |
| 12 | — | J25DPM-12V-K | 17.5 | 22.3 | 29.7 | 22.6 | 27.3 | 96 |
| 20 | — | J25DPM-20V-K | 31.5 | 36.3 | 43.7 | 36.6 | 41.3 | 132 |

Material

Glass-filled PBT, UL94V-0, black

RoHS compliance

Receptacle housing (Common type for sensor)

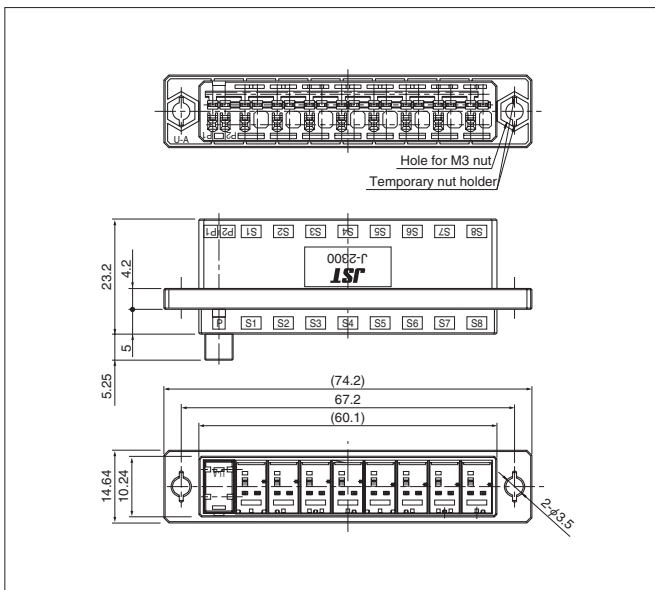


| Circuits | Keying | Model No. | Q'ty / box |
|----------|--------|----------------------|------------|
| 3 | S1 | J23CF-03V-KS1 | 784 |
| | S2 | J23CF-03V-KS2 | 784 |
| | S3 | J23CF-03V-KS3 | 784 |
| | S4 | J23CF-03V-KS4 | 784 |
| | S5 | J23CF-03V-KS5 | 784 |
| | S6 | J23CF-03V-KS6 | 784 |
| | S7 | J23CF-03V-KS7 | 784 |
| | S8 | J23CF-03V-KS8 | 784 |

| Material | | | |
|----------------------------------|--|--|--|
| Glass-filled PBT, UL94V-0, black | | | |

RoHS compliance

T&P connector



| Circuits | Keying | Model No. | Q'ty / box |
|----------|--------|-----------|------------|
| Input | 24 | S1~S8 | 64 |
| Output | 10 | | |

| Material and Finish | | | |
|--|--|--|--|
| Tab contact: Copper alloy, nickel-undercoated, selective gold-plated | | | |
| Housing: Glass-filled PBT, UL94V-0, black | | | |

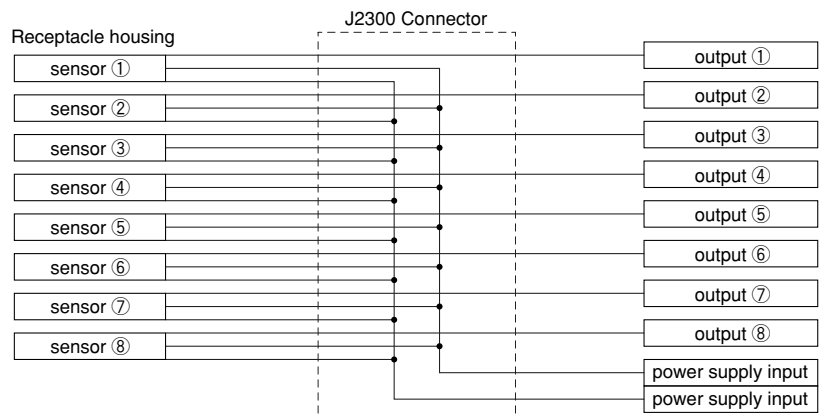
RoHS compliance

• Current rating

| Wire size | Current (A) |
|-----------|-------------|
| #20 | 6.5 |
| #22 | 5.5 |
| #24 | 4.0 |
| #26 | 3.0 |
| #28 | 2.0 |

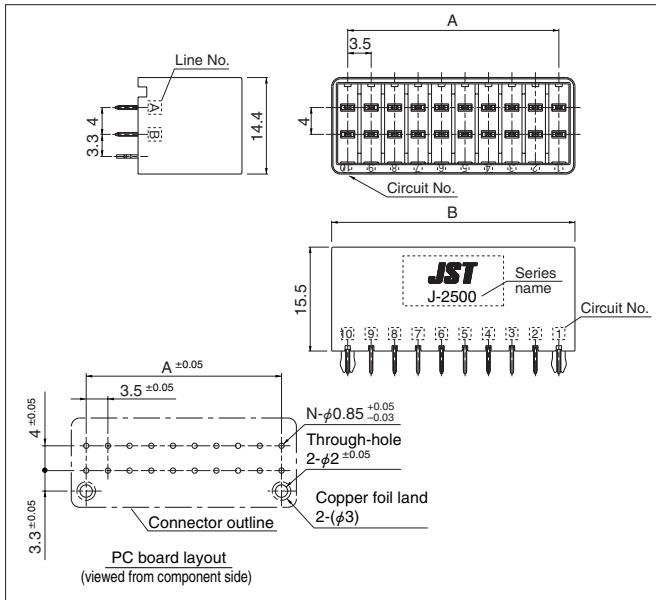
• Voltage rating: 250V AC, DC

• Circuit composition



J2000 SERIES/J2500

Header Top entry type (Module type)



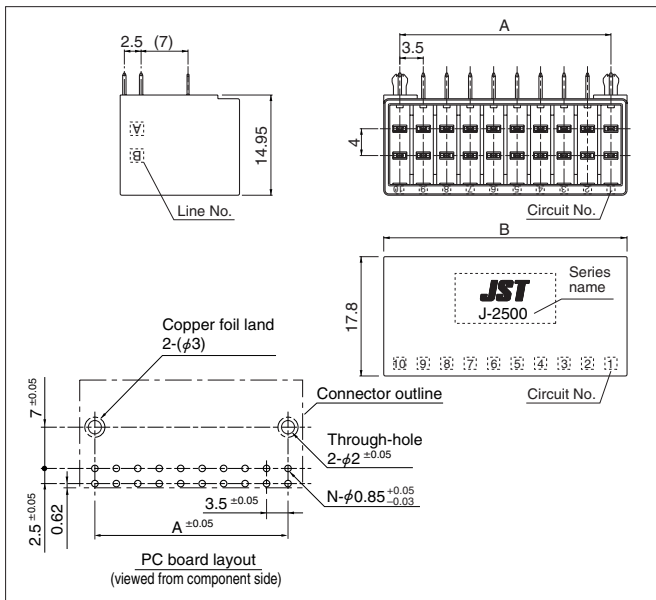
| Circuits | Keying | Model No. | Dimensions (mm) | | Q'ty / box |
|----------|--------|-----------------------|-----------------|------|------------|
| | | | A | B | |
| 12 | — | B12B-J25DK-GGR | 17.5 | 22.3 | 108 |
| 20 | — | B20B-J25DK-GGR | 31.5 | 36.3 | 72 |

Material and Finish

Tab contact: Copper alloy, nickel-undercoated, selective gold-plated
Housing: Glass-filled PBT, UL94V-0, black
Reinforcing metal fixture: Copper alloy, nickel-undercoated, selective gold-plated

RoHS compliance This product displays (LF) (AU) on a label.

Header Side entry type (Module type)



| Circuits | Keying | Model No. | Dimensions (mm) | | Q'ty / box |
|----------|--------|-----------------------|-----------------|------|------------|
| | | | A | B | |
| 12 | — | S12B-J25DK-GGR | 17.5 | 22.3 | 108 |
| 20 | — | S20B-J25DK-GGR | 31.5 | 36.3 | 72 |

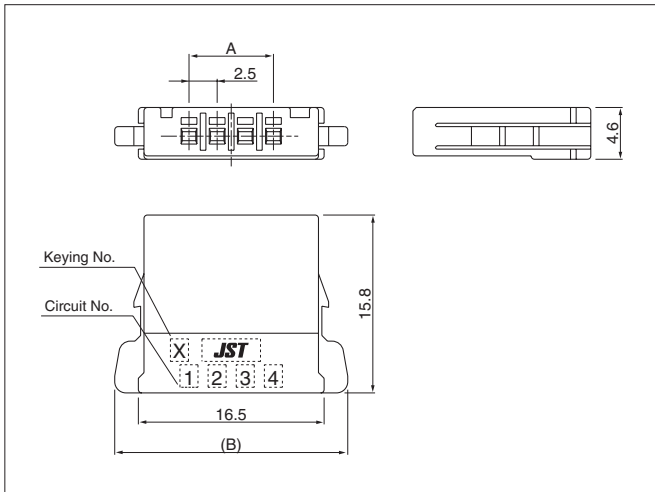
Material and Finish

Tab contact: Copper alloy, nickel-undercoated, selective gold-plated
Housing: Glass-filled PBT, UL94V-0, black
Reinforcing metal fixture: Copper alloy, nickel-undercoated, selective gold-plated

RoHS compliance This product displays (LF) (AU) on a label.

J2000 SERIES/J2800

Receptacle housing



| Circuits | Keying | Model No. | Dimensions (mm) | | Q'ty / box |
|----------|--------|---------------------|-----------------|------|------------|
| | | | A | (B) | |
| 4 | X | J28SF-04V-KX | 7.5 | 20.7 | 540 |
| | Y | Under planning | — | — | — |

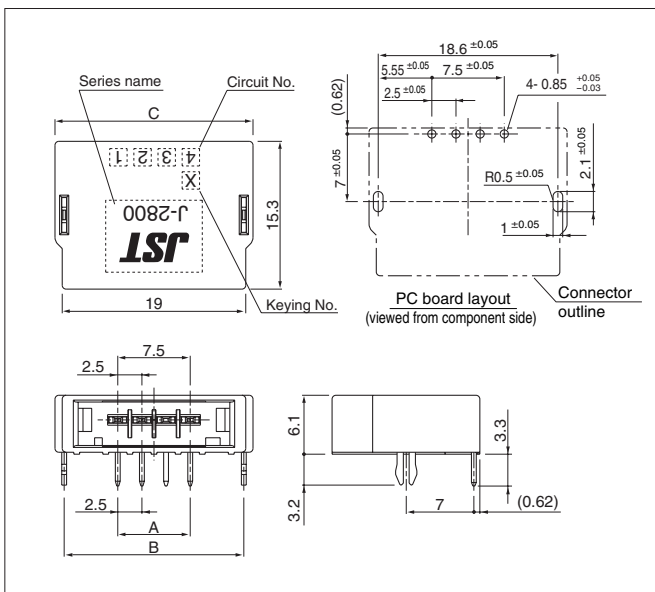
Material

PBT, UL94V-0, black

RoHS compliance

Note: Not UL/CSA approved.

Header Side entry type (Side locking type)



| Circuits | Keying | Model No. | Dimensions (mm) | | | Q'ty / box |
|----------|--------|--------------------------|-----------------|------|------|------------|
| | | | A | B | C | |
| 4 | X | S04B-J28SK-GGXQ1R | 7.5 | 18.6 | 20.5 | 280 |
| | Y | Under planning | — | — | — | — |

Material and Finish

Tab contact: Copper alloy, nickel-undercoated, selective gold-plated

Housing: Glass-filled PBT, UL94V-0, black

Reinforcing metal fixture: Copper alloy, nickel-undercoated, selective gold-plated

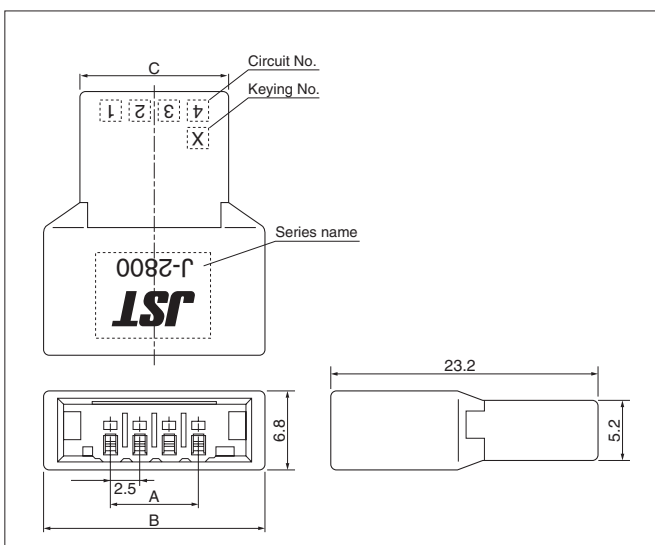
RoHS compliance

This product displays (LF) on a label.

Note: 1. 3rd and 4th pins are sequential pins.

2. Not UL/CSA approved.

Tab housing (Free hanging type)



| Circuits | Keying | Model No. | Dimensions (mm) | | | Q'ty / box |
|----------|--------|----------------------|-----------------|----|------|------------|
| | | | A | B | C | |
| 4 | X | J28SFM-04V-KX | 7.5 | 19 | 12.7 | — |
| | Y | Under planning | 7.5 | 19 | 12.7 | — |

Material

PBT, UL94V-0, black

RoHS compliance

Note: Not UL approved.

JFA CONNECTOR/2000 SERIES

Model number identification

Receptacle contact

S J2 F - 01 GF - P 1.0

Form: S...Strip form

Series name

Kind of terminal: F...Receptacle contact

Applicable wire: 002...AWG #28 ~ AWG#24
01...AWG #24 ~ AWG#20
21...0.3 to 0.75mm²

Surface finish: GF...Nickel-undercoated, 0.38 μm selective gold-plated

Material: P...Copper alloy

Terminal size

Tab contact

S J2 M - 01 GF - M 1.0 S

Form: S...Strip form

Series name

Kind of terminal: M...Tab contact

Applicable wire: 002...AWG #28 ~ #24
01...AWG #24 ~ #20
21...0.3 to 0.75mm²

Surface finish: GF...Nickel-undercoated, 0.38 μm selective gold-plated

Material: M...Copper alloy

Terminal size

Sequential identification: N...Normal, S...Sequential

Receptacle housing

J21 D F-06 V - K X - L

Series name: J21...Center locking type
J22...Side locking type
J23...Center locking type (for sensor)
J25...Module type
J28...Side locking type (Thin type)

Rows: S...Single-row, D...Double-row, M...Module-row
C...For sensor-row

Type of connector: F...Receptacle housing

No. of circuits: 2, 3, 4, 6, 8, 10, 12, 16, 20

Flammability: UL94V-0

Color indication: K...Black, S...Natural (White), PK...Pink

Keying: X...X-Keying, Y...Y-Keying, ※...S1 ~ S8

Key way type: L...Long keying type
Blank...Short keying type (6 circuits is long keying type)

Tab housing

J21 D P M-06 V - K X

Series name: J21...Center locking type
J22...Side locking type
J25...Module type

Rows: S...Single-row, D...Double-row

Configuration: F...Free hanging, P...Panel mounting

Type of connector: M...Tab housing

No. of circuits: 3, 4, 6, 8, 10, 12, 16, 20

Flammability: UL94V-0

Color indication: K...Black

Keying: X...X-Keying, Y...Y-Keying

Header

S 04 B - J28 S K - GG X Q1 R

PC board mounting direction:
B...Top entry type
S...Side entry type
P...Panel mounting type

No. of circuits: 3, 4, 6, 8, 10, 12, 16, 20

Product name: Header

Series name: J21...Center locking type
J22...Side locking type
J23...Center locking type (for sensor)
J25...Module type
J28...Side locking type (Thin type)

Rows: S...Single-row, D...Double-row

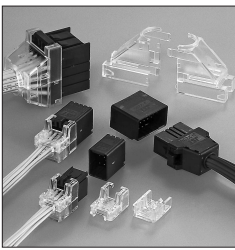
Color indication: K...Black, S...Natural (White), PK...Pink

Surface finish: GG...Nickel-undercoated, 0.38 μm selective gold-plated

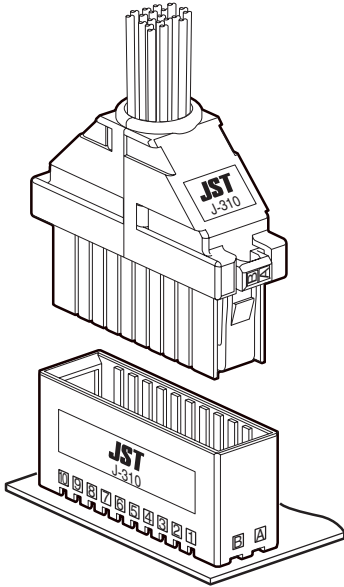
Keying: X...X-Keying, Y...Y-Keying, N...Special keying (S1 ~ S8)

Sequential indication: Q1...Sequential type, Blank...Standard type

Packaging form: R...Tray



JFA CONNECTOR/PROTECTOR

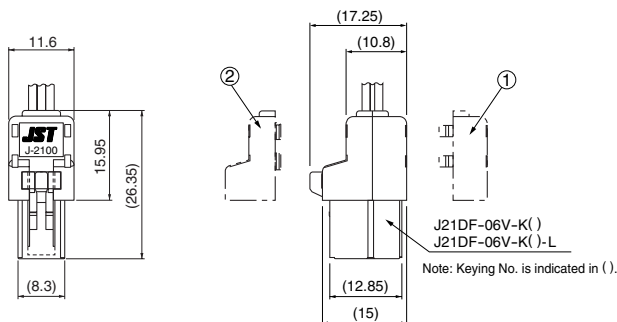


Note: Protector is not UL/CSA/TÜV approved

When applying a current to the connector, the protector prevents foreign substances being inserted into mating part from the wiring side. However it has no function of holding the wire securely.

J2000 Series

•J2100 series for 6 circuits



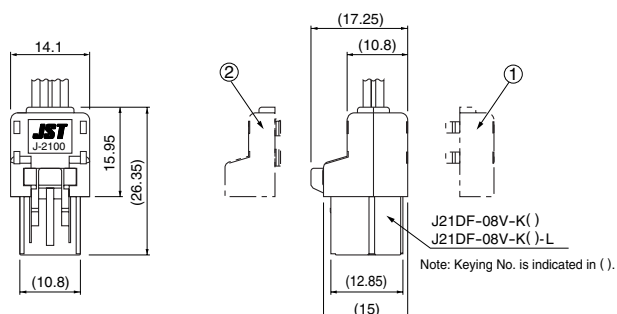
| No. | Model No. | Color |
|-----|--------------------|-------------|
| ① | J21PF-06SCA | Transparent |
| ② | J21PF-06SCB | Transparent |

Material

Polycarbonate

RoHS compliance

•J2100 series for 8 circuits



| No. | Model No. | Color |
|-----|--------------------|-------------|
| ① | J21PF-08SCA | Transparent |
| ② | J21PF-08SCB | Transparent |

Material

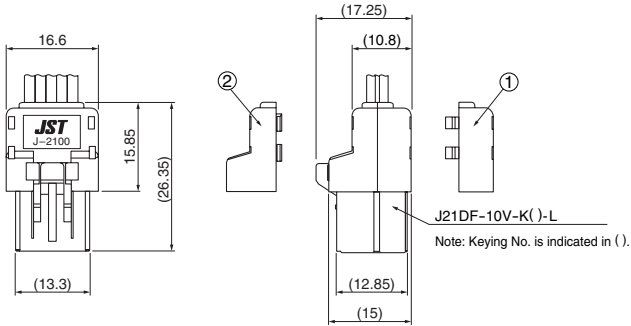
Polycarbonate

RoHS compliance

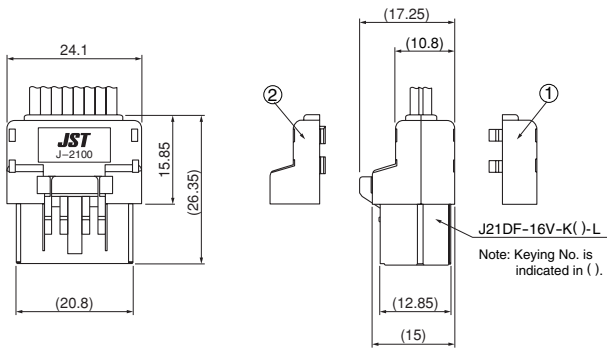
JFA CONNECTOR/PROTECTOR

J2000 Series

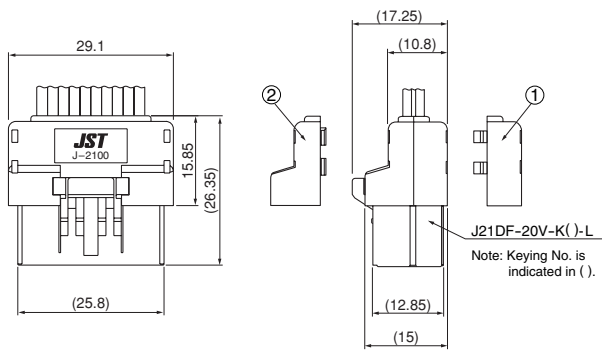
•J2100 series for 10 circuits



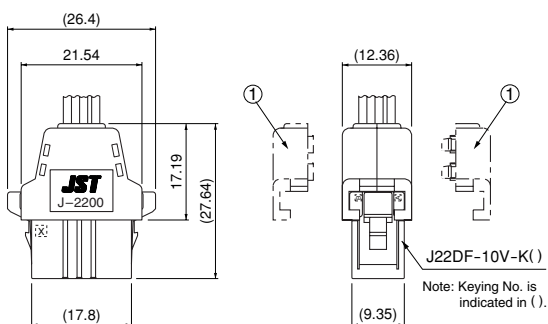
•J2100 series for 16 circuits



•J2100 series for 20 circuits



•J2200 series for 10 circuits



| No. | Model No. | Color |
|---------------|--------------------|-------------|
| ① | J21PF-10SCA | Transparent |
| ② | J21PF-10SCB | Transparent |
| Material | | |
| Polycarbonate | | |

RoHS compliance

| No. | Model No. | Color |
|---------------|--------------------|-------------|
| ① | J21PF-16SCA | Transparent |
| ② | J21PF-16SCB | Transparent |
| Material | | |
| Polycarbonate | | |

RoHS compliance

| No. | Model No. | Color |
|---------------|--------------------|-------------|
| ① | J21PF-20SCA | Transparent |
| ② | J21PF-20SCB | Transparent |
| Material | | |
| Polycarbonate | | |

RoHS compliance

| No. | Model No. | Color |
|------------------|-------------------|-------|
| ① | J22PF-10VK | Black |
| Material | | |
| Glass-filled PBT | | |

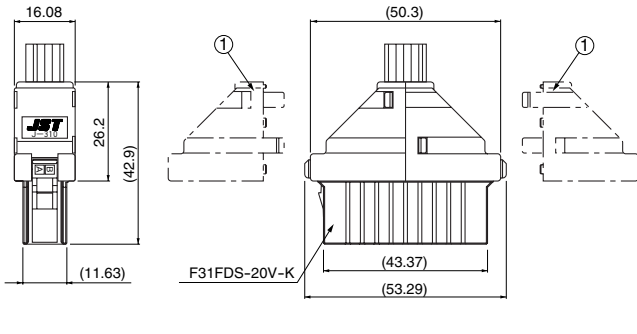
RoHS compliance

Note: Two protectors are used.

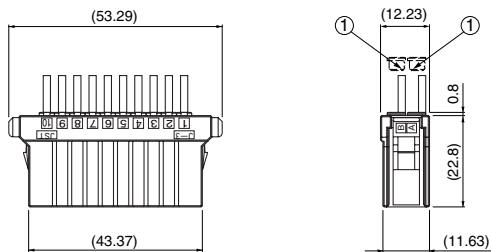
JFA CONNECTOR/PROTECTOR

J300 Series

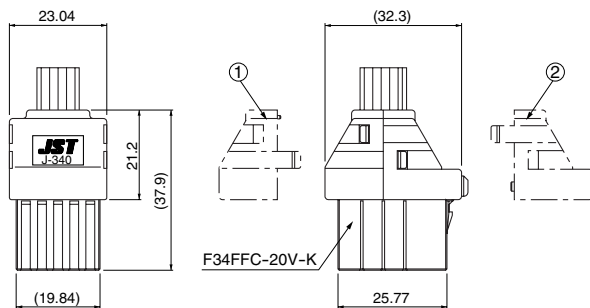
•J310D series for 20 circuits



•J310D series / Embedding-type protector for 8, 10 circuits

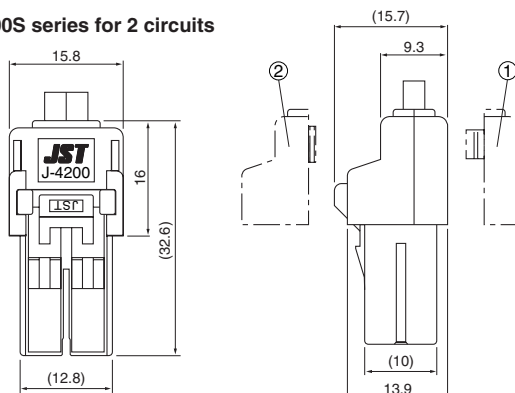


•J340F series for 20 circuits



J4000 Series

•J4200S series for 2 circuits



| No. | Model No. | Color |
|-----|--------------------|-------------|
| ① | F31PFD-20VK | Black |
| ① | F31PFD-20SC | Transparent |

Material

Black: Glass-filled PBT
Transparent: Polycarbonate

RoHS compliance

Note: Two protectors of the same color are used.

| No. | Model No. | Color |
|-----|--------------------|-------|
| ① | F31PFS-10KU | Black |

Material

Glass-filled PBT

RoHS compliance

Note: This protector is cut and used for each number of circuits.

| No. | Model No. | Color |
|-----|---------------------|-------------|
| ① | F34PFF-20VKA | Black |
| | F34PFF-20SCA | Transparent |
| ② | F34PFF-20VKB | Black |
| | F34PFF-20SCB | Transparent |

Material

Black: Glass-filled PBT
Transparent: Polycarbonate

RoHS compliance

Note: Both 1 and 2 protectors in the same color are used.

| No. | Model No. | Color |
|-----|--------------------|-------------|
| ① | J42PF-02SCA | Transparent |
| ② | J42PF-02SCB | Transparent |

Material

Polycarbonate

RoHS compliance

(Patent pending)

When applying a current to the connector, the protector prevents foreign substances being inserted into mating part from the wiring side. However it has no function of holding the wire securely.