



CCB LC75863W

CMOS IC

1/3 Duty LCD Display Driver with Key Input Function

ON Semiconductor®

<http://onsemi.com>

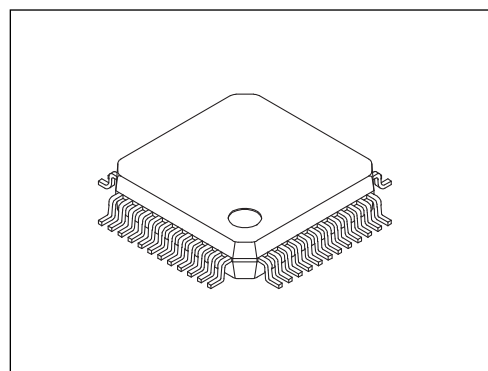
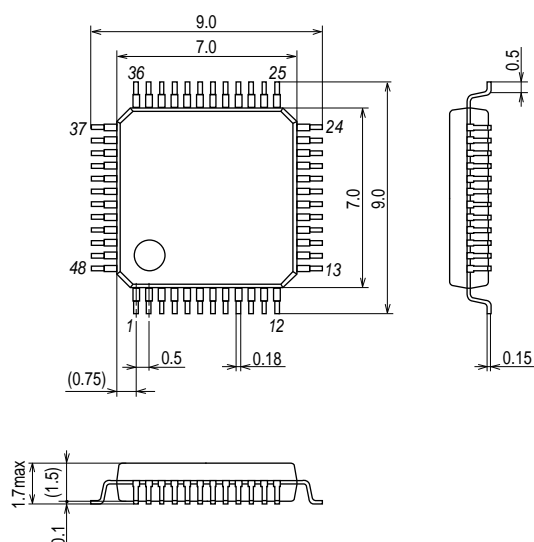
Overview

The LC75863W is the 1/3 duty LCD display driver that can directly drive up to 75 segments and can control up to four general-purpose output ports. This product also incorporates a key scan circuit that accepts input from up to 30 keys to reduce printed circuit board wiring.

Features

- Key input function for up to 30 keys (A key scan is performed only when a key is pressed.)
- 1/3duty - 1/2bias and 1/3duty - 1/3bias drive schemes can be controlled from serial data (up to 75 segments).
- Sleep mode and all segments off functions that are controlled from serial data.
- Segment output port/general-purpose output port function switching that is controlled from serial data.
- Serial data I/O supports CCB format communication with the system controller.
- Direct display of display data without the use of a decoder provides high generality.
- Independent V_{LCD} for the LCD driver block (V_{LCD} can be set to in the range V_{DD} -0.5 to 6.0 volts.)
- Provision of an on-chip voltage-detection type reset circuit prevents incorrect displays.
- RC oscillator circuit.

- CCB is ON Semiconductor®'s original format. All addresses are managed by ON Semiconductor® for this format.



SQFP48(7X7)

- CCB is a registered trademark of Semiconductor Components Industries, LLC.

ORDERING INFORMATION

See detailed ordering and shipping information on page 25 of this data sheet.

LC75863W

Specifications

Absolute Maximum Ratings at $T_a = 25^\circ\text{C}$, $V_{SS} = 0\text{V}$

Parameter	Symbol	Conditions	Ratings	Unit
Maximum supply voltage	$V_{DD\text{ max}}$	V_{DD}	-0.3 to +7.0	V
	$V_{LCD\text{ max}}$	V_{LCD}	-0.3 to +7.0	
Input voltage	V_{IN1}	CE, CL, DI	-0.3 to +7.0	V
	V_{IN2}	OSC, TEST	-0.3 to $V_{DD}+0.3$	
	V_{IN3}	V_{LCD1} , V_{LCD2} , K11 to K15	-0.3 to $V_{LCD}+0.3$	
Output voltage	V_{OUT1}	DO	-0.3 to +7.0	V
	V_{OUT2}	OSC	-0.3 to $V_{DD}+0.3$	
	V_{OUT3}	S1 to S25, COM1 to COM3, KS1 to KS6, P1 to P4	-0.3 to $V_{LCD}+0.3$	
Output current	I_{OUT1}	S1 to S25	300	μA
	I_{OUT2}	COM1 to COM3	3	mA
	I_{OUT3}	KS1 to KS6	1	
	I_{OUT4}	P1 to P4	5	
Allowable power dissipation	$P_d\text{ max}$	$T_a = 85^\circ\text{C}$	150	mW
Operating temperature	T_{opr}		-40 to +85	$^\circ\text{C}$
Storage temperature	T_{stg}		-55 to +125	$^\circ\text{C}$

Stresses exceeding Maximum Ratings may damage the device. Maximum Ratings are stress ratings only. Functional operation above the Recommended Operating Conditions is not implied. Extended exposure to stresses above the Recommended Operating Conditions may affect device reliability.

Allowable Operating Ranges at $T_a = -40$ to $+85^\circ\text{C}$, $V_{SS} = 0\text{V}$

Parameter	Symbol	Conditions	Ratings			unit
			min	typ	max	
Supply voltage	V_{DD}	V_{DD}	4.5		6.0	V
	V_{LCD}	V_{LCD}	$V_{DD}-0.5$		6.0	
Input voltage	V_{LCD1}	V_{LCD1}		$2/3V_{LCD}$	V_{LCD}	V
	V_{LCD2}	V_{LCD2}		$1/3V_{LCD}$	V_{LCD}	
Input high level voltage	V_{IH1}	CE, CL, DI	$0.8V_{DD}$		6.0	V
	V_{IH2}	K11 to K15	$0.6V_{DD}$		V_{DD}	
Input low level voltage	V_{IL}	CE, CL, DI, K11 to K15	0		$0.2V_{DD}$	V
Recommended external resistance	R_{osc}	OSC		39		$\text{k}\Omega$
Recommended external capacitance	C_{osc}	OSC		1000		pF
Guaranteed oscillation range	f_{osc}	OSC	19	38	76	kHz
Data setup time	t_{ds}	CL, DI [Figure 2]	160			ns
Data hold time	t_{dh}	CL, DI [Figure 2]	160			ns
CE wait time	t_{cp}	CE, CL [Figure 2]	160			ns
CE setup time	t_{cs}	CE, CL [Figure 2]	160			ns
CE hold time	t_{ch}	CE, CL [Figure 2]	160			ns
High level clock pulse width	$t_{\phi H}$	CL [Figure 2]	160			ns
Low level clock pulse width	$t_{\phi L}$	CL [Figure 2]	160			ns
Rise time	t_r	CE, CL, DI [Figure 2]		160		ns
Fall time	t_f	CE, CL, DI [Figure 2]		160		ns
DO output delay time	t_{dc}	DO $R_{pU} = 4.7\text{k}\Omega$, $C_L = 10\text{pF}$ *1 [Figure 2]			1.5	μs
DO rise time	t_{dr}	DO $R_{pU} = 4.7\text{k}\Omega$, $C_L = 10\text{pF}$ *1 [Figure 2]			1.5	μs

Note: *1. Since DO is an open-drain output, these times depend on the values of the pull-up resistor R_{pU} and the load capacitance C_L .

LC75863W

Electrical Characteristics for the Allowable Operating Ranges

Parameter	Symbol	Pin	Conditions	Ratings			unit
				min	typ	max	
Hysteresis	V_H	CE, CL, DI, K11 to K15			$0.1V_{DD}$		V
Power-down detection voltage	V_{DET}			2.5	3.0	3.5	V
Input high level current	I_{IH}	CE, CL, DI	$V_I = 6.0V$			5.0	μA
Input low level current	I_{IL}	CE, CL, DI	$V_I = 0V$	-5.0			μA
Input floating voltage	V_{IF}	K11 to K15				$0.05V_{DD}$	V
Pull-down resistance	R_{PD}	K11 to K15	$V_{DD} = 5.0V$	50	100	250	$k\Omega$
Output off leakage current	I_{OFFH}	DO	$V_O = 6.0V$			6.0	μA
Output high level voltage	V_{OH1}	KS1 to KS6	$I_O = -500\mu A$	$V_{LCD}-1.0$	$V_{LCD}-0.5$	$V_{LCD}-0.2$	V
	V_{OH2}	P1 to P4	$I_O = -1mA$	$V_{LCD}-1.0$			
	V_{OH3}	S1 to S25	$I_O = -20\mu A$	$V_{LCD}-1.0$			
	V_{OH4}	COM1 to COM3	$I_O = -100\mu A$	$V_{LCD}-1.0$			
Output low level voltage	V_{OL1}	KS1 to KS6	$I_O = 25\mu A$	0.2	0.5	1.5	V
	V_{OL2}	P1 to P4	$I_O = 1mA$			1.0	
	V_{OL3}	S1 to S25	$I_O = 20\mu A$			1.0	
	V_{OL4}	COM1 to COM3	$I_O = 100\mu A$			1.0	
	V_{OL5}	DO	$I_O = 1mA$		0.1	0.5	
Output middle level voltage *2	V_{MID1}	COM1 to COM3	$1/2bias, I_O = \pm 100\mu A$	$1/2V_{LCD}$ -1.0		$1/2V_{LCD}$ +1.0	V
	V_{MID2}	S1 to S25	$1/3bias, I_O = \pm 20\mu A$	$2/3V_{LCD}$ -1.0		$2/3V_{LCD}$ +1.0	
	V_{MID3}	S1 to S25	$1/3bias, I_O = \pm 20\mu A$	$1/3V_{LCD}$ -1.0		$1/3V_{LCD}$ +1.0	
	V_{MID4}	COM1 to COM3	$1/3bias, I_O = \pm 100\mu A$	$2/3V_{LCD}$ -1.0		$2/3V_{LCD}$ +1.0	
	V_{MID5}	COM1 to COM3	$1/3bias, I_O = \pm 100\mu A$	$1/3V_{LCD}$ -1.0		$1/3V_{LCD}$ +1.0	
Oscillator frequency	fosc	OSC	Rosc = 39k Ω , Cosc = 1000pF	30.4	38	45.6	kHz
Current drain	I_{DD1}	V_{DD}	Sleep mode			100	μA
	I_{DD2}	V_{DD}	$V_{DD} = 6.0V$, output open, fosc = 38kHz		270	540	
	I_{LCD1}	V_{LCD}	Sleep mode			5	
	I_{LCD2}	V_{LCD}	$V_{LCD} = 6.0V$, output open, $1/2bias$, fosc = 38kHz		100	200	
	I_{LCD3}	V_{LCD}	$V_{LCD} = 6.0V$, output open, $1/3bias$, fosc = 38kHz		60	120	

Note: *2 Excluding the bias voltage generation divider resistor built into V_{LCD1} and V_{LCD2} . (See Figure 1.)

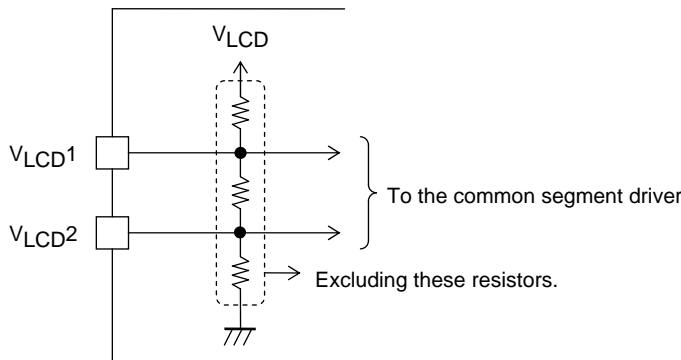
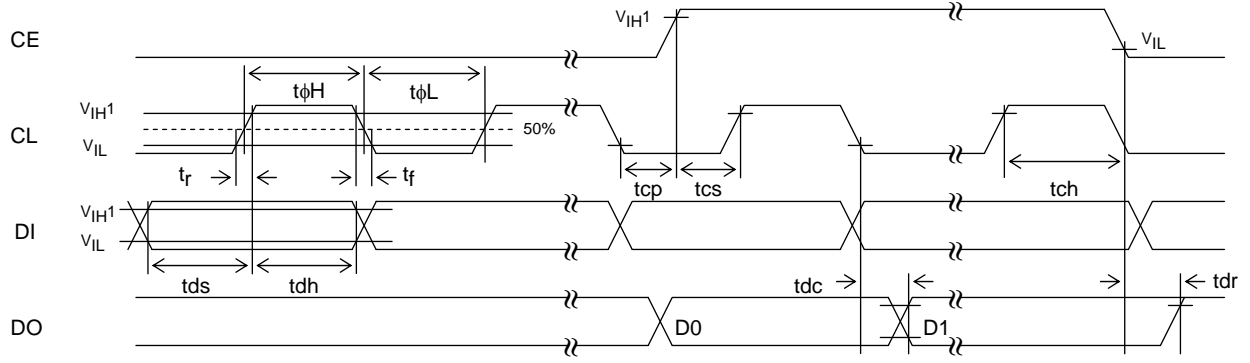


Figure 1

1. When CL is stopped at the low level



2. When CL is stopped at the high level

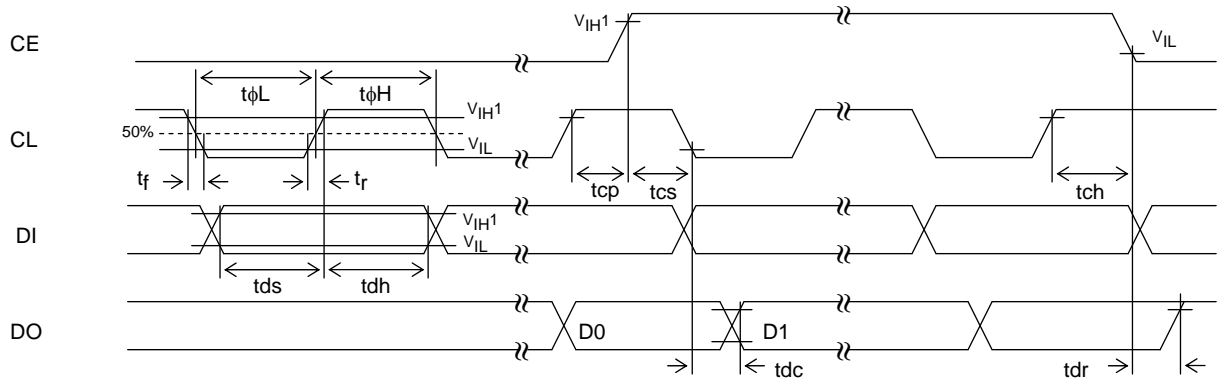
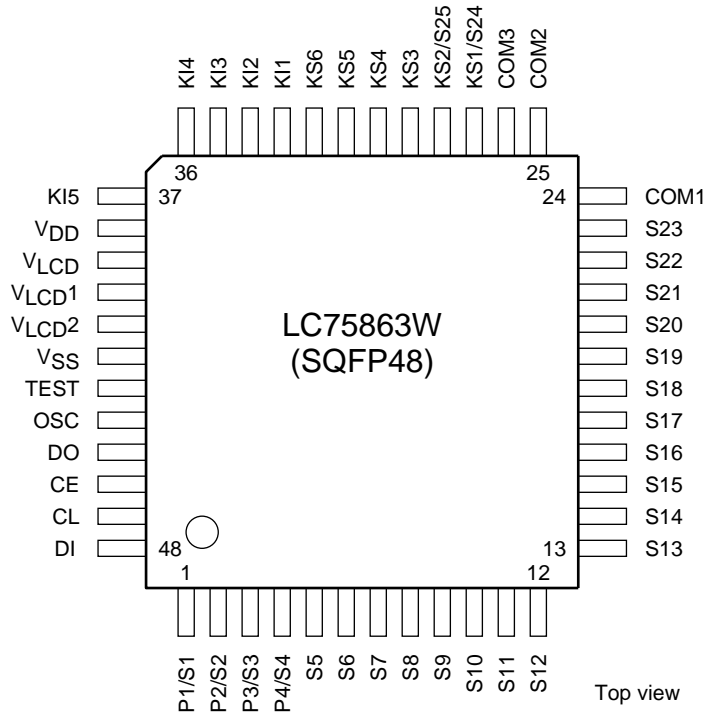


Figure 2

LC75863W

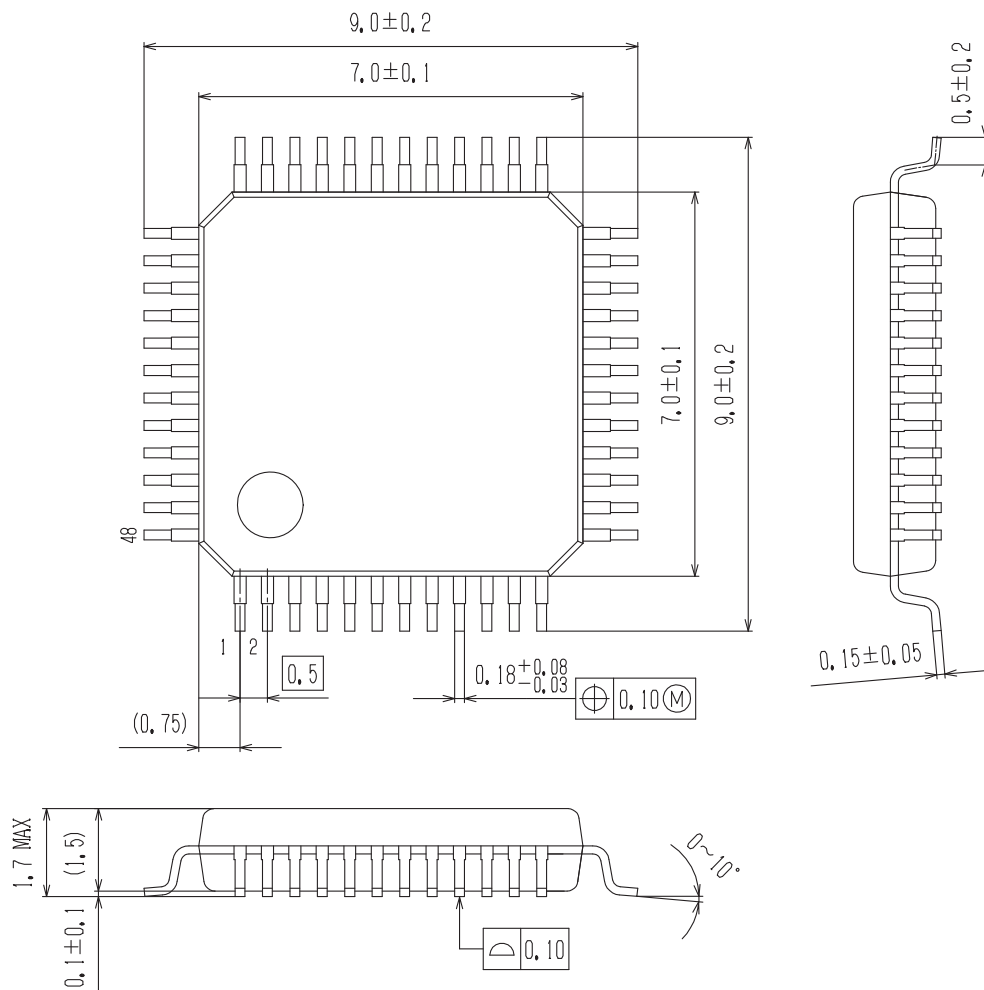
Pin Assignment



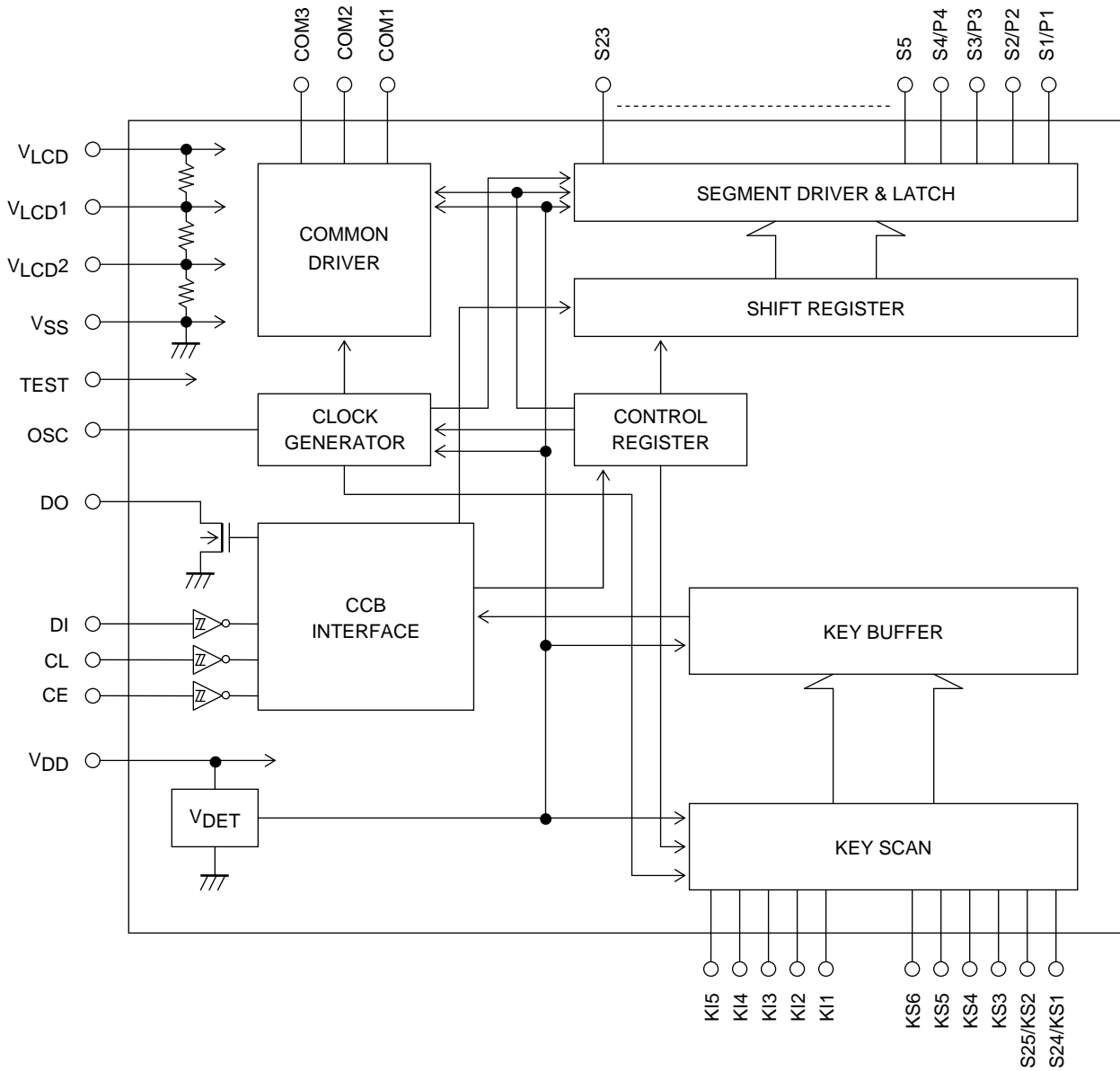
Package Dimensions

unit:mm

SPQFP48 7x7 / SQFP48
CASE 131AJ
ISSUE 0

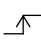


Block Diagram



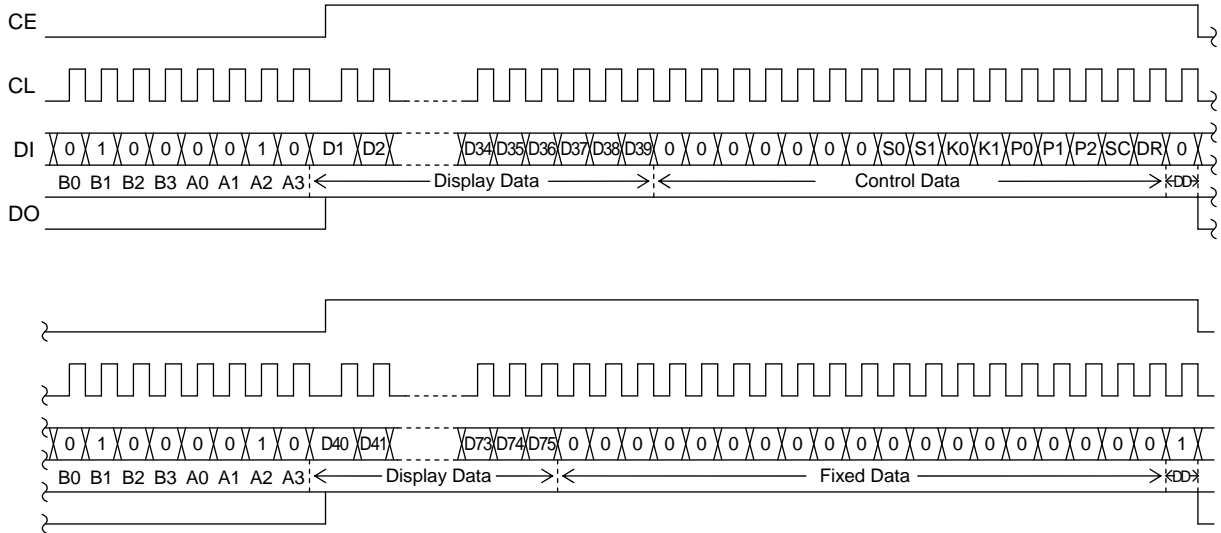
LC75863W

Pin Functions

Symbol	Pin No.	Function	Active	I/O	Handling when unused
S1/P1 S2/P2 S3/P3 S4/P4 S5 to S23	1 2 3 4 5 to 23	Segment outputs for displaying the display data transferred by serial data input. The S1/P1 to S4/P4 pins can be used as general-purpose output ports under serial data control.	-	O	OPEN
COM1 COM2 COM3	24 25 26	Common driver outputs The frame frequency f_0 is given by : $f_0 = (f_{osc}/384)$ Hz.	-	O	OPEN
KS1/S24 KS2/S25 KS3 to KS6	27 28 29 to 32	Key scan outputs Although normal key scan timing lines require diodes to be inserted in the timing lines to prevent shorts, since these outputs are unbalanced CMOS transistor outputs, these outputs will not be damaged by shorting when these outputs are used to form a key matrix. The KS1/S24 and KS2/S25 pins can be used as segment outputs when so specified by the control data.	-	O	OPEN
KI1 to KI5	33 to 37	Key scan inputs These pins have built-in pull-down resistors.	H	I	GND
OSC	44	Oscillator connection An oscillator circuit is formed by connecting an external resistor and capacitor at this pin.	-	I/O	V_{DD}
CE CL DI DO	46 47 48 45	Serial data interface connections to the controller. Note that DO, being an open-drain output, requires a pull-up resistor. CE : Chip enable CL : Synchronization clock DI : Transfer data DO : Output data	H  - -	I I I O	GND GND OPEN
TEST	43	This pin must be connected to ground.	-	I	-
V_{LCD1}	40	Used for applying the LCD drive 2/3 bias voltage externally. Must be connected to V_{LCD2} when a 1/2 bias drive scheme is used.	-	I	OPEN
V_{LCD2}	41	Used for applying the LCD drive 1/3 bias voltage externally. Must be connected to V_{LCD1} when a 1/2 bias drive scheme is used.	-	I	OPEN
V_{DD}	38	Logic block power supply connection. Provide a voltage of between 4.5 and 6.0V.	-	-	-
V_{LCD}	39	LCD driver block power supply connection. Provide a voltage of between $V_{DD}-0.5$ and 6.0V.	-	-	-
V_{SS}	42	Power supply connection. Connect to ground.	-	-	-

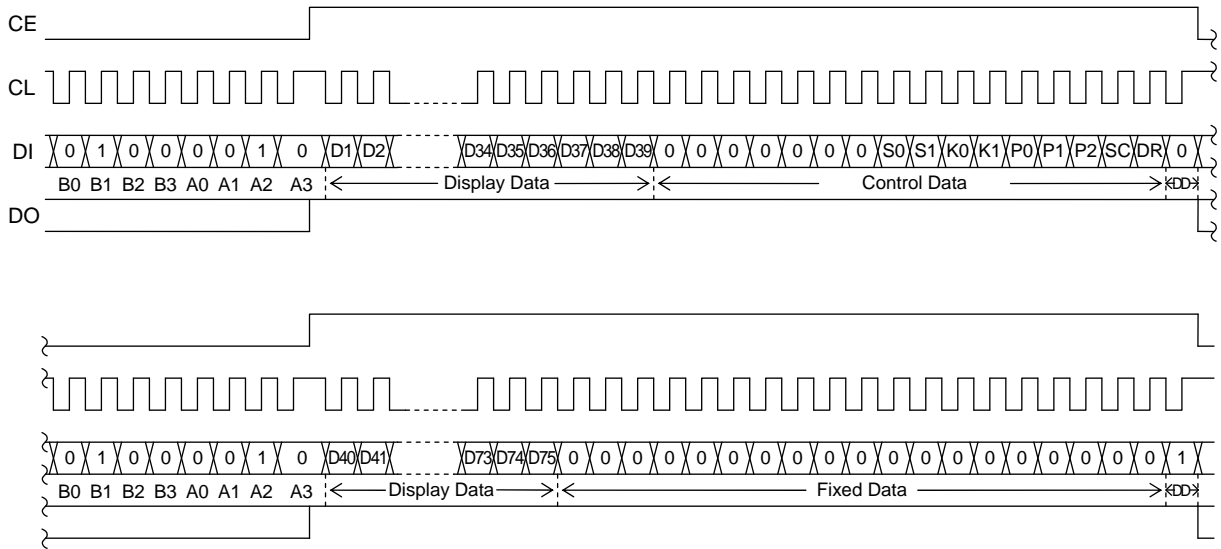
Serial Data Input

(1) When CL is stopped at the low level



Note: B0 to B3, A0 to A3 CCB address
 DD Direction data

(2) When CL is stopped at the high level



Note: B0 to B3, A0 to A3 CCB address
 DD Direction data

- CCB address 42H
- D1 to D75 Display data
- S0, S1 Sleep control data
- K0, K1 Key scan output/segment output selection data
- P0 to P2 Segment output port/general-purpose output port selection data
- SC Segment on/off control data
- DR 1/2 bias or 1/3 bias drive selection data

Control Data Functions

(1) S0, S1 Sleep control data

These control data bits switch between normal mode and sleep mode and set the states of the KS1 to KS6 key scan output during key scan standby.

Control data		Mode	OSC oscillator	Segment outputs Common outputs	Output pin states during key scan standby					
S0	S1				KS1	KS2	KS3	KS4	KS5	KS6
0	0	Normal	Operating	Operating	H	H	H	H	H	H
0	1	Sleep	Stopped	L	L	L	L	L	L	H
1	0	Sleep	Stopped	L	L	L	L	H	H	H
1	1	Sleep	Stopped	L	H	H	H	H	H	H

Note: This assumes that the KS1/S24 and KS2/S25 output pins are selected for key scan output.

(2) K0, K1 Key scan output/segment output selection data

These control data bits switch the functions of the KS1/S24 and KS2/S25 output pins between key scan output and segment output.

Control data		Output pin state		Maximum number of input keys
K0	K1	KS1/S24	KS2/S25	
0	0	KS1	KS2	30
0	1	S24	KS2	25
1	X	S24	S25	20

Note: KSn (n=1 or 2): Key scan output
Sn (n=24 or 25): Segment output

X : don't care

(3) P0 to P2 Segment output port/general-purpose output port selection data

These control data bits switch the functions of the S1/P1 to S4/P4 output pins between the segment output port and the general-purpose output port.

Control data			Output pin state			
P0	P1	P2	S1/P1	S2/P2	S3/P3	S4/P4
0	0	0	S1	S2	S3	S4
0	0	1	P1	S2	S3	S4
0	1	0	P1	P2	S3	S4
0	1	1	P1	P2	P3	S4
1	0	0	P1	P2	P3	P4

Note: Sn (n=1 to 4): Segment output port
Pn (n=1 to 4): General-purpose output port

The table below lists the correspondence between the display data and the output pins when these pins are selected to be general-purpose output ports.

Output pin	Corresponding display data
S1/P1	D1
S2/P2	D4
S3/P3	D7
S4/P4	D10

For example, if the S4/P4 output pin is selected to be a general-purpose output port, the S4/P4 output pin will output a high level (VLCD) when the display data D10 is 1, and will output a low level (VSS) when D10 is 0.

(4) SC Segment on/off control data

This control data bit controls the on/off state of the segments.

SC	Display state
0	on
1	off

However, note that when the segments are turned off by setting SC to 1, the segments are turned off by outputting segment off waveforms from the segment output pins.

(5) DR 1/2 bias or 1/3 bias drive selection data

This control data bit switches between LCD 1/2 bias or 1/3 bias drive.

DR	Drive scheme
0	1/3 bias drive
1	1/2 bias drive

LC75863W

Display Data and Output Pin Correspondence

Output pin	COM1	COM2	COM3
S1/P1	D1	D2	D3
S2/P2	D4	D5	D6
S3/P3	D7	D8	D9
S4/P4	D10	D11	D12
S5	D13	D14	D15
S6	D16	D17	D18
S7	D19	D20	D21
S8	D22	D23	D24
S9	D25	D26	D27
S10	D28	D29	D30
S11	D31	D32	D33
S12	D34	D35	D36
S13	D37	D38	D39

Output pin	COM1	COM2	COM3
S14	D40	D41	D42
S15	D43	D44	D45
S16	D46	D47	D48
S17	D49	D50	D51
S18	D52	D53	D54
S19	D55	D56	D57
S20	D58	D59	D60
S21	D61	D62	D63
S22	D64	D65	D66
S23	D67	D68	D69
KS1/S24	D70	D71	D72
KS2/S25	D73	D74	D75

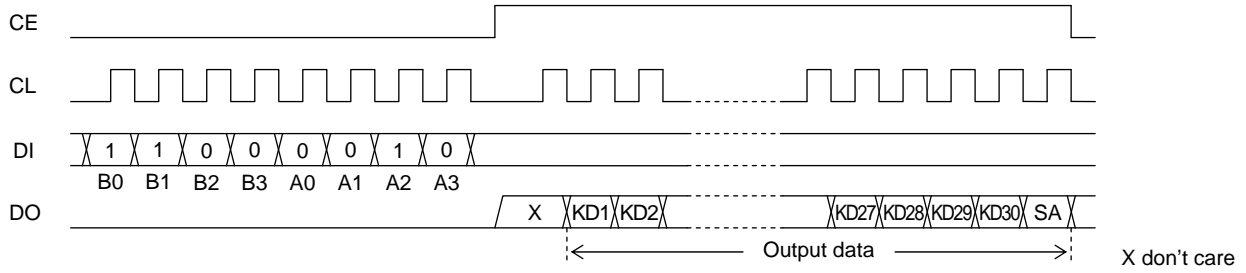
Note: This is for the case where the output pins S1/P1 to S4/P4, KS1/S24 and KS2/S25 are selected for use as segment outputs.

For example, the table below lists the segment output states for the S11 output pin.

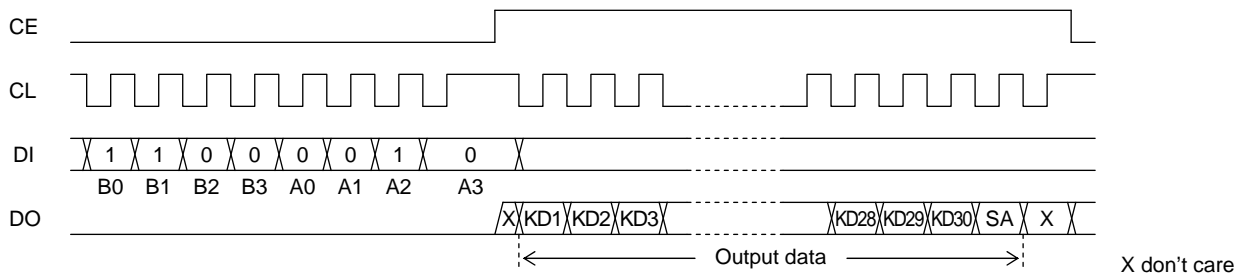
Display data			Output pin state (S11)
D31	D32	D33	
0	0	0	The LCD segments for COM1, COM2 and COM3 are off.
0	0	1	The LCD segment for COM3 is on.
0	1	0	The LCD segment for COM2 is on.
0	1	1	The LCD segments for COM2 and COM3 are on.
1	0	0	The LCD segment for COM1 is on.
1	0	1	The LCD segments for COM1 and COM3 are on.
1	1	0	The LCD segments for COM1 and COM2 are on.
1	1	1	The LCD segments for COM1, COM2 and COM3 are on.

Serial Data Output

(1) When CL is stopped at the low level



(2) When CL is stopped at the high level



- CCB address 43H
- KD1 to KD30 Key data
- SA Sleep acknowledge data

Note: If a key data read operation is executed when DO is high, the read key data (KD1 to KD30) and sleep acknowledge data (SA) will be invalid.

Output Data

(1) KD1 to KD30 Key data

When a key matrix of up to 30 keys is formed from the KS1 to KS6 output pins and the KI1 to KI5 input pins and one of those keys is pressed, the key output data corresponding to that key will be set to 1. The table shows the relationship between those pins and the key data bits.

	KI1	KI2	KI3	KI4	KI5
KS1/S24	KD1	KD2	KD3	KD4	KD5
KS2/S25	KD6	KD7	KD8	KD9	KD10
KS3	KD11	KD12	KD13	KD14	KD15
KS4	KD16	KD17	KD18	KD19	KD20
KS5	KD21	KD22	KD23	KD24	KD25
KS6	KD26	KD27	KD28	KD29	KD30

When the KS1/S24 and KS2/S25 output pins are selected to be segment outputs by control data bits K0 and K1 and a key matrix of up to 20 keys is formed using the KS3 to KS6 output pins and the KI1 to KI5 input pins, the KD1 to KD10 key data bits will be set to 0.

(2) SA Sleep acknowledge data

This output data bit is set to the state when the key was pressed. Also, while DO will be low in this case, if serial data is input and the mode is set (to normal or sleep mode) during this period, that mode will be set. SA will be 1 in sleep mode and 0 in normal mode.

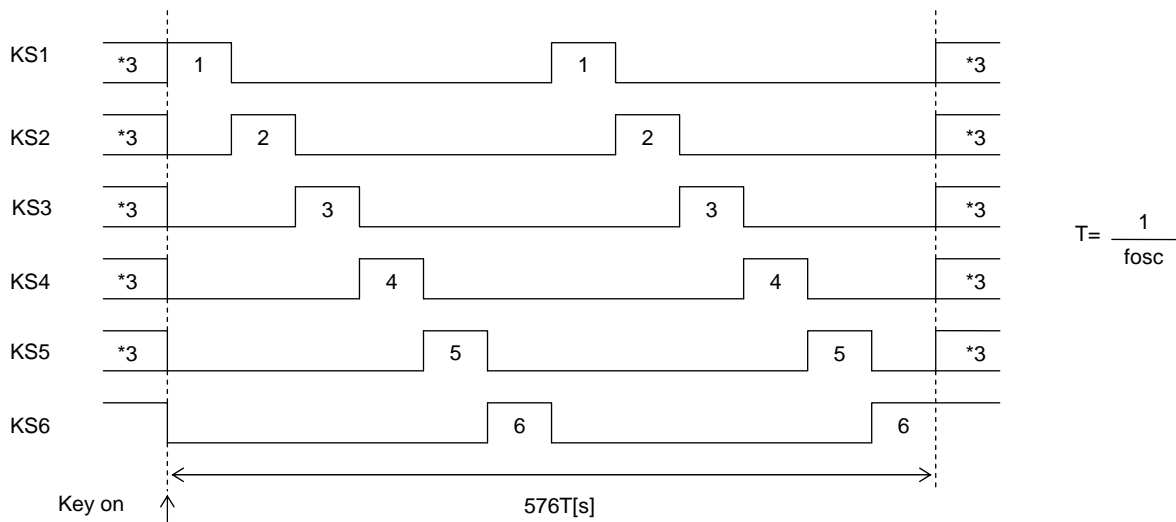
Sleep Mode Functions

Sleep mode is set up by setting S0 or S1 in the control data to 1. The segment outputs will all go low and the common outputs will also go low, and the oscillator on the OSC pin will stop (it will be started by a key press). This reduces power dissipation. This mode is cleared by sending control data with both S0 and S1 set to 0. However, note that the S1/P1 to S4/P4 outputs can be used as general-purpose output ports according to the state of the P0 to P2 control data bits, even in sleep mode. (See the control data description for details.)

Key Scan Operation Functions

(1) Key scan timing

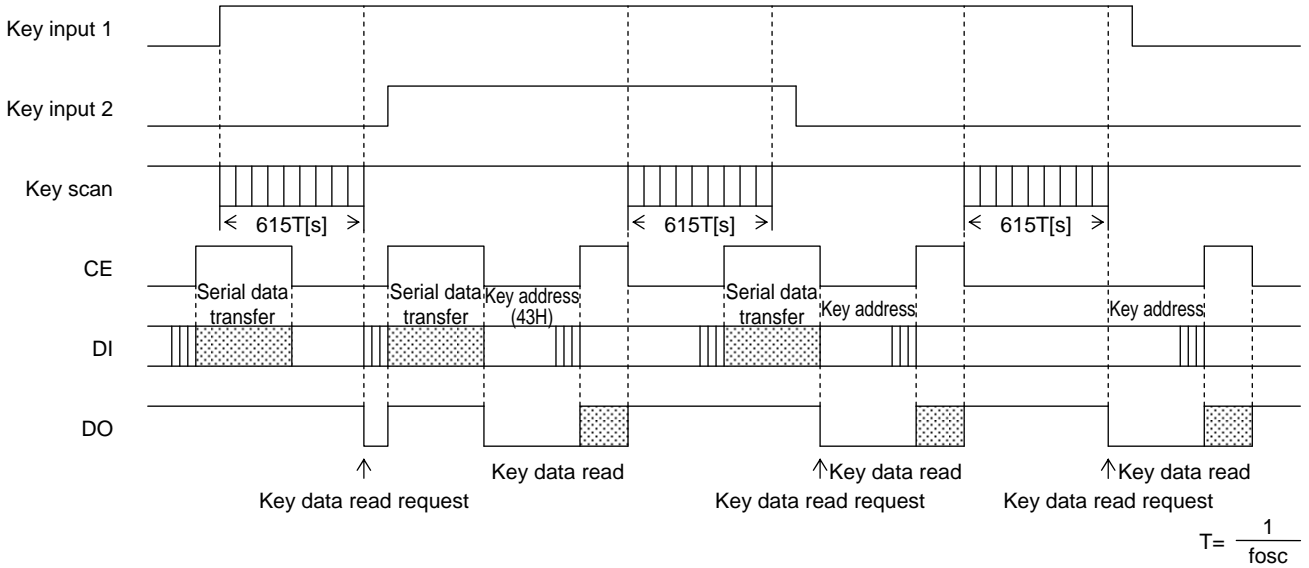
The key scan period is 288T(s). To reliably determine the on/off state of the keys, the LC75863W scans the keys twice and determines that a key has been pressed when the key data agrees. It outputs a key data read request (a low level on DO) 615T(s) after starting a key scan. If the key data dose not agree and a key was pressed at that point, it scans the keys again. Thus the LC75863W cannot detect a key press shorter than 615T(s).



Note: *3. In sleep mode the high/low state of these pins is determined by the S0 and S1 bits in the control data. Key scan output signals are not output from pins that are set low.

(2) In normal mode

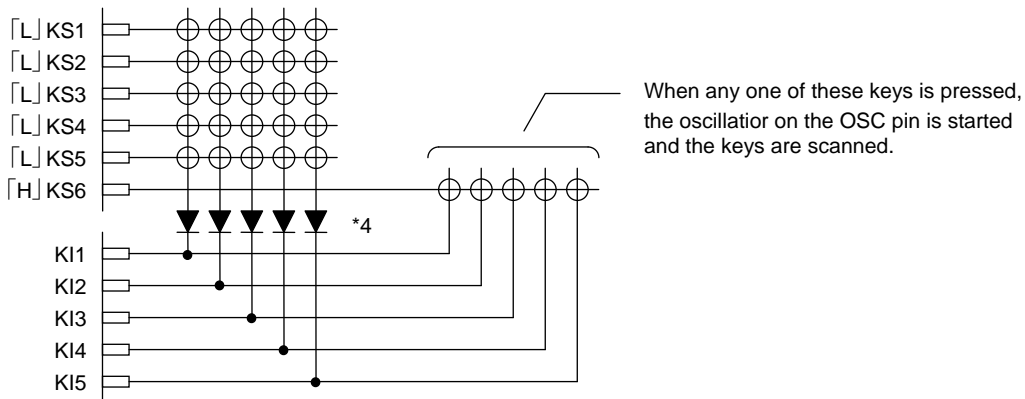
- 1) The pins KS1 to KS6 are set high.
- 2) When a key is pressed a key scan is started and the keys are scanned until all keys are released. Multiple key presses are recognized by determining whether multiple key data bits are set.
- 3) If a key is pressed for longer than 615T(s) (Where $T = \frac{1}{f_{osc}}$) the LC75863W outputs a key data read request (a low level on DO) to the controller. The controller acknowledges this request and reads the key data. However, if CE is high during a serial data transfer, DO will be set high.
- 4) After the controller reads the key data, the key data read request is cleared (DO is set high) and the LC75863W performs another key scan. Also note that DO, being an open-drain output, requires a pull-up resistor (between 1 and 10kΩ).



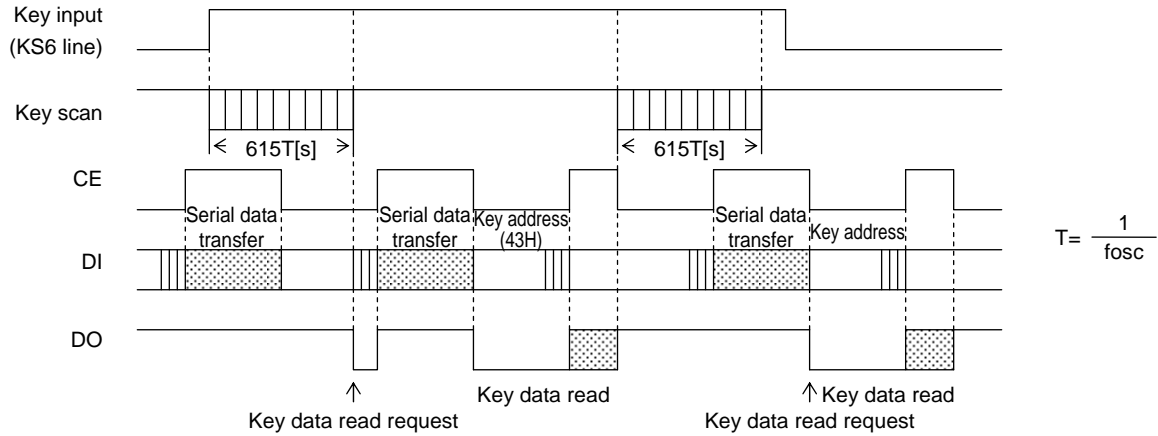
(3) In sleep mode

- 1) The pins KS1 to KS6 are set to high or low by the S0 and S1 bits in the control data. (See the control data description for details.)
- 2) If a key on one of the lines corresponding to a KS1 to KS6 pin which is set high is pressed, the oscillator on the OSC pin is started and a key scan is performed. Keys are scanned until all keys are released. Multiple key presses are recognized by determining whether multiple key data bits are set.
- 3) If a key is pressed for longer than $615T(s)$ (Where $T = \frac{1}{f_{osc}}$) the LC75863W outputs a key data read request (a low level on DO) to the controller. The controller acknowledges this request and reads the key data. However, if CE is high during a serial data transfer, DO will be set high.
- 4) After the controller reads the key data, the key data read request is cleared (DO is set high) and the LC75863W performs another key scan. However, this does not clear sleep mode. Also note that DO, being an open-drain output, requires a pull-up resistor (between 1 and 10kΩ).
- 5) Sleep mode key scan example

Example: S0 = 0, S1 = 1 (sleep with only KS6 high)



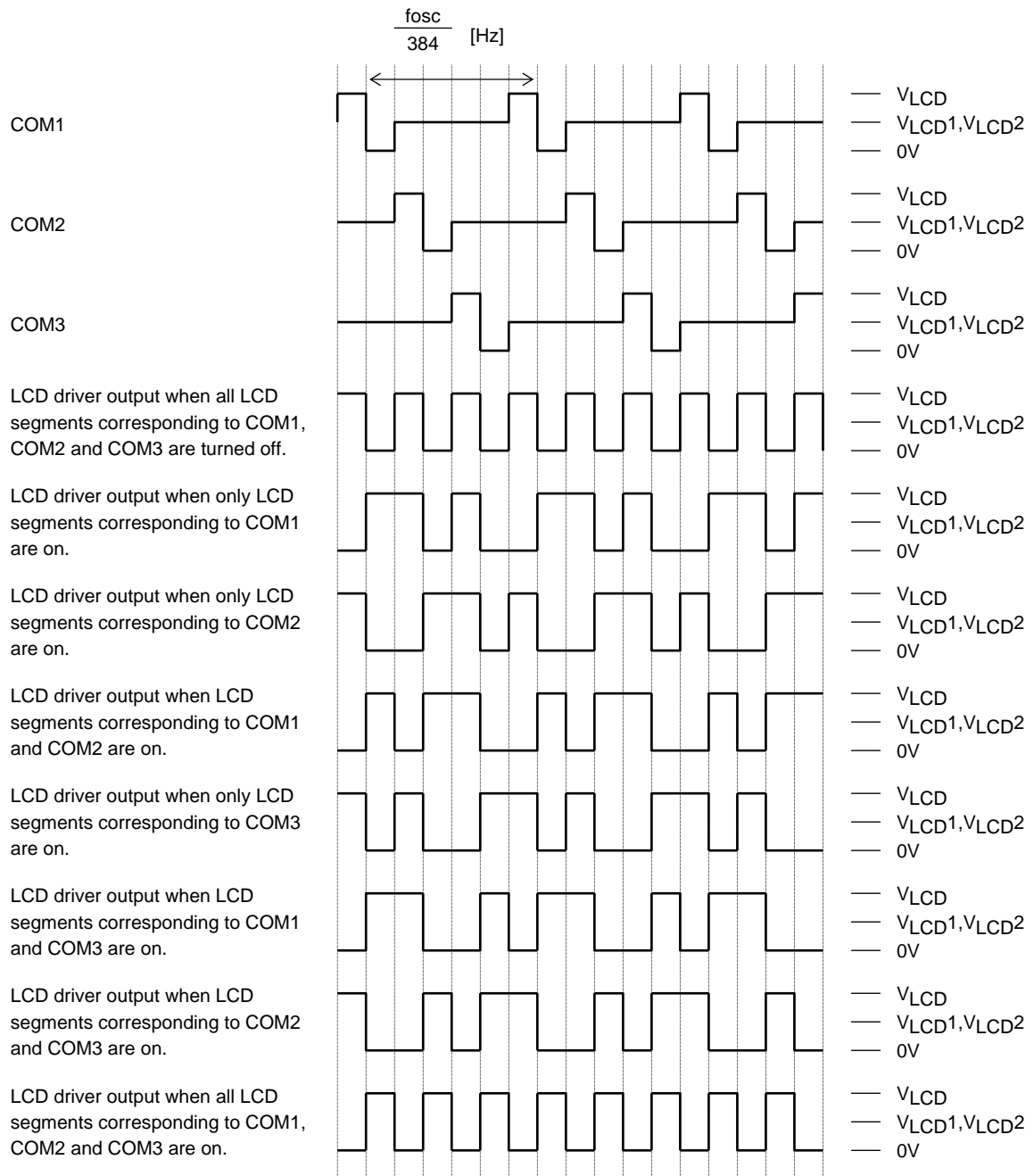
Note: *4. These diodes are required to reliably recognize multiple key presses on the KS6 line when sleep mode state with only KS6 high, as in the above example. That is, these diodes prevent incorrect operations due to sneak currents in the KS6 key scan output signal when keys on the KS1 to KS5 lines are pressed at the same time.



Multiple Key Presses

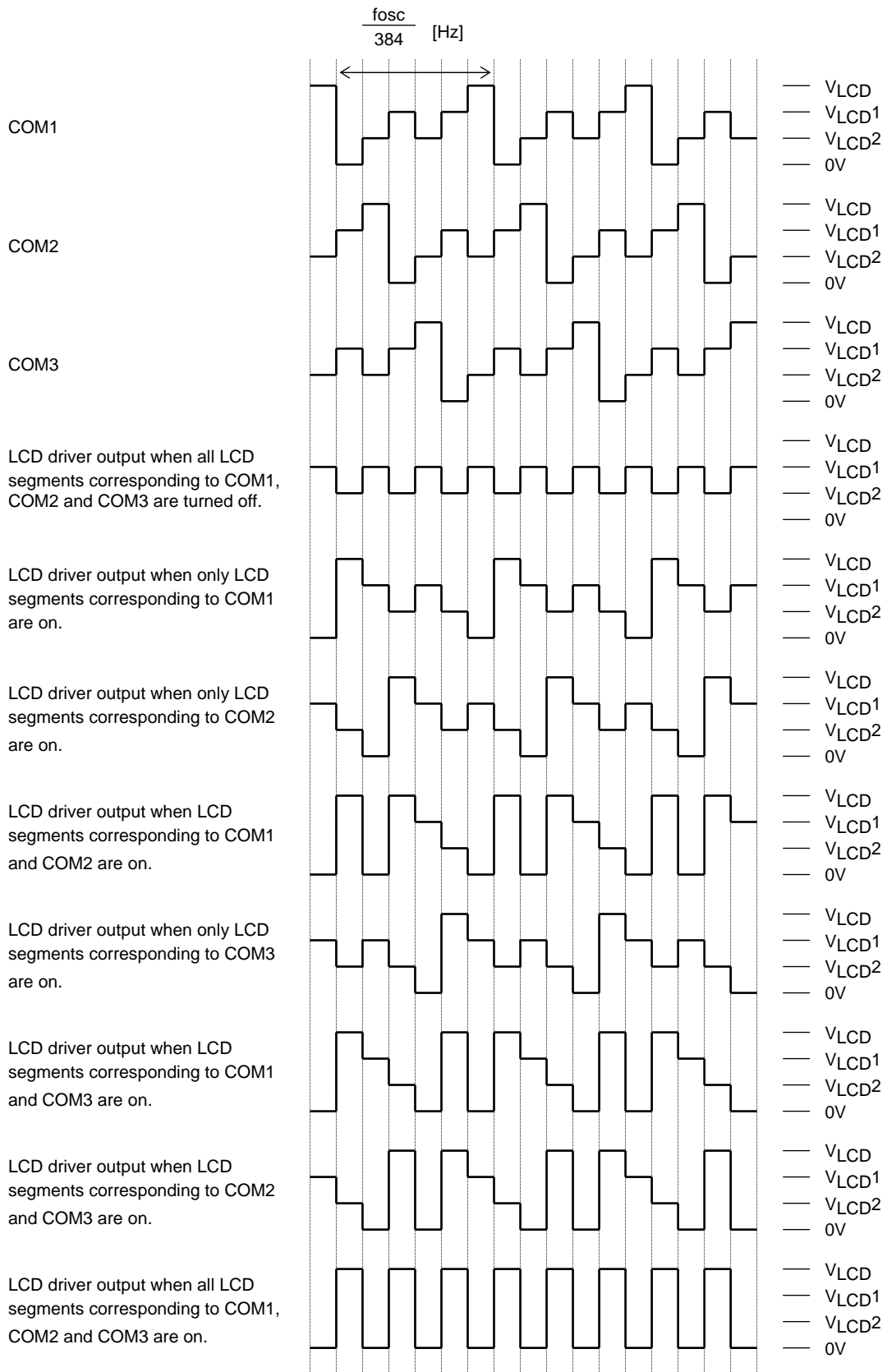
Although the LC75863W is capable of key scanning without inserting diodes for dual key presses, triple key presses on the KI1 to KI5 input pin lines, or multiple key presses on the KS1 to KS6 output pin lines, multiple presses other than these cases may result in keys that were not pressed recognized as having been pressed. Therefore, a diode must be inserted in series with each key. Applications that do not recognize multiple key presses of three or more keys should check the key data for three or more 1 bits and ignore such data.

1/3 Duty, 1/2 Bias Drive Technique



1/3 Duty, 1/2 Bias Waveforms

1/3 Duty, 1/3 Bias Drive Technique



1/3 Duty, 1/3 Bias Waveforms

Voltage Detection Type Reset Circuit (VDET)

This circuit generates an output signal and resets the system when logic block power is first applied and when the voltage drops, i.e., when the logic block power supply voltage is less than or equal to the power down detection voltage V_{DET} , which is 3.0V, typical. To assure that this function operates reliably, a capacitor must be added to the logic block power supply line so that the logic block power supply voltage V_{DD} rise time when the logic block power is first applied and the logic block power supply voltage V_{DD} fall time when the voltage drops are both at least 1 ms. (See Figure 3.)

Power Supply Sequence

The following sequences must be observed when power is turned on and off. (See Figure 3.)

- Power on: Logic block power supply (V_{DD}) on → LCD driver block power supply (V_{LCD}) on
- Power off: LCD driver block power supply (V_{LCD}) off → Logic block power supply (V_{DD}) off

However, if the logic and LCD driver block use a shared power supply, then the power supplies can be turned on and off at the same time.

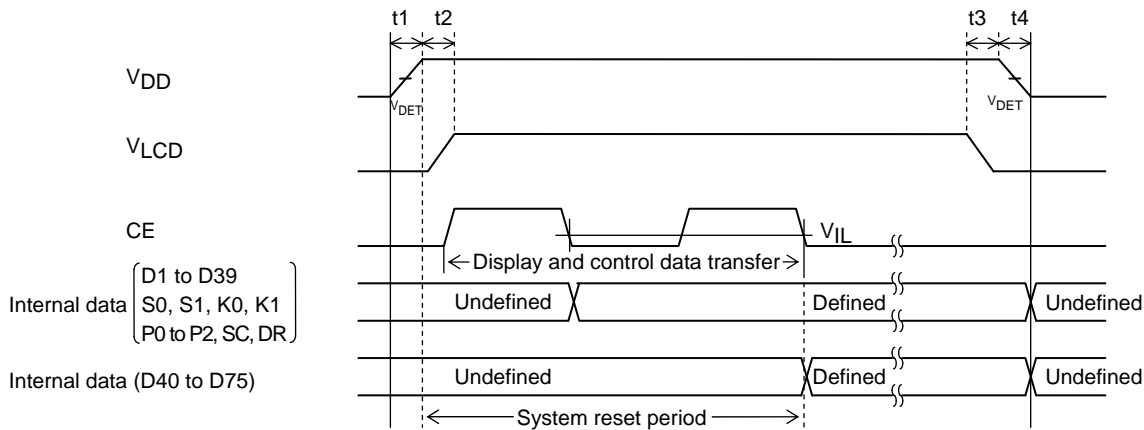
System Reset

The LC75863W supports the reset methods described below. When a system reset is applied, display is turned off, key scanning is stopped, and all the key data is reset to low. When the reset is cleared, display is turned on and key scanning become possible.

(1) Reset methods

Reset at power-on and power-down

If at least 1 ms is assured as the logic block supply voltage V_{DD} rise time when logic block power is applied, a system reset will be applied by the V_{DET} output signal when the logic block supply voltage is brought up. If at least 1 ms is assured as the logic block supply voltage V_{DD} fall time when logic block power drops, a system reset will be applied in the same manner by the V_{DET} output signal when the supply voltage is lowered. Note that the reset is cleared at the point when all the serial data (the display data D1 to D75 and the control data) has been transferred, i.e., on the fall of the CE signal on the transfer of the last direction data, after all the direction data has been transferred (see Figure 3).



Note: $t_1 \geq 1$ [ms] (Logic block power supply voltage V_{DD} rise time)
 $t_2 \geq 0$
 $t_3 \geq 0$
 $t_4 \geq 1$ [ms] (Logic block power supply voltage V_{DD} fall time)

Figure 3

LC75863W

(2) LC75863W internal block states during the reset period

1) CLOCK GENERATOR

Reset is applied and the base clock is stopped. However, the OSC pin state (normal or sleep mode) is determined after the S0 and S1 control data bits are transferred.

2) COMMON DRIVER, SEGMENT DRIVER & LATCH

Reset is applied and the display is turned off. However, display data can be input to the latch circuit in this state.

3) KEY SCAN

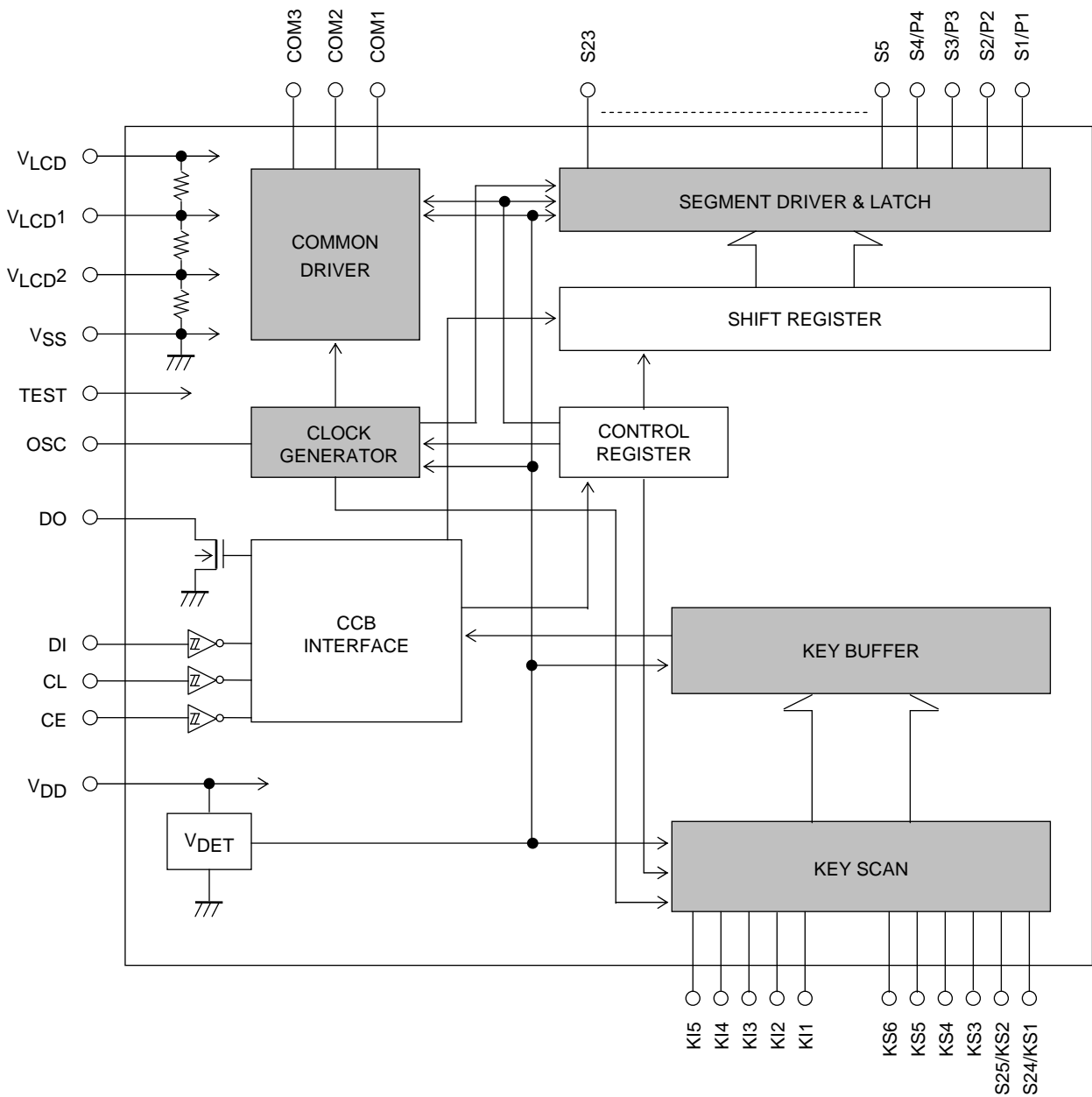
Reset is applied, the circuits is set to the initial state, and at the same time the key scan operation is disabled.

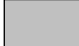
4) KEY BUFFER

Reset is applied and all the key data is set to low.

5) CCB INTERFACE, CONTROL REGISTER, SHIFT REGISTER

Since serial data transfer is possible, these circuits are not reset.



 Blocks that are reset

(3) Output pin states during the reset period

Output pin	State during reset
S1/P1 to S4/P4	L *5
S5 to S23	L
COM1 to COM3	L
KS1/S24, KS2/S25	L *5
KS3 to KS5	X *6
KS6	H
DO	H *7

X : don't care

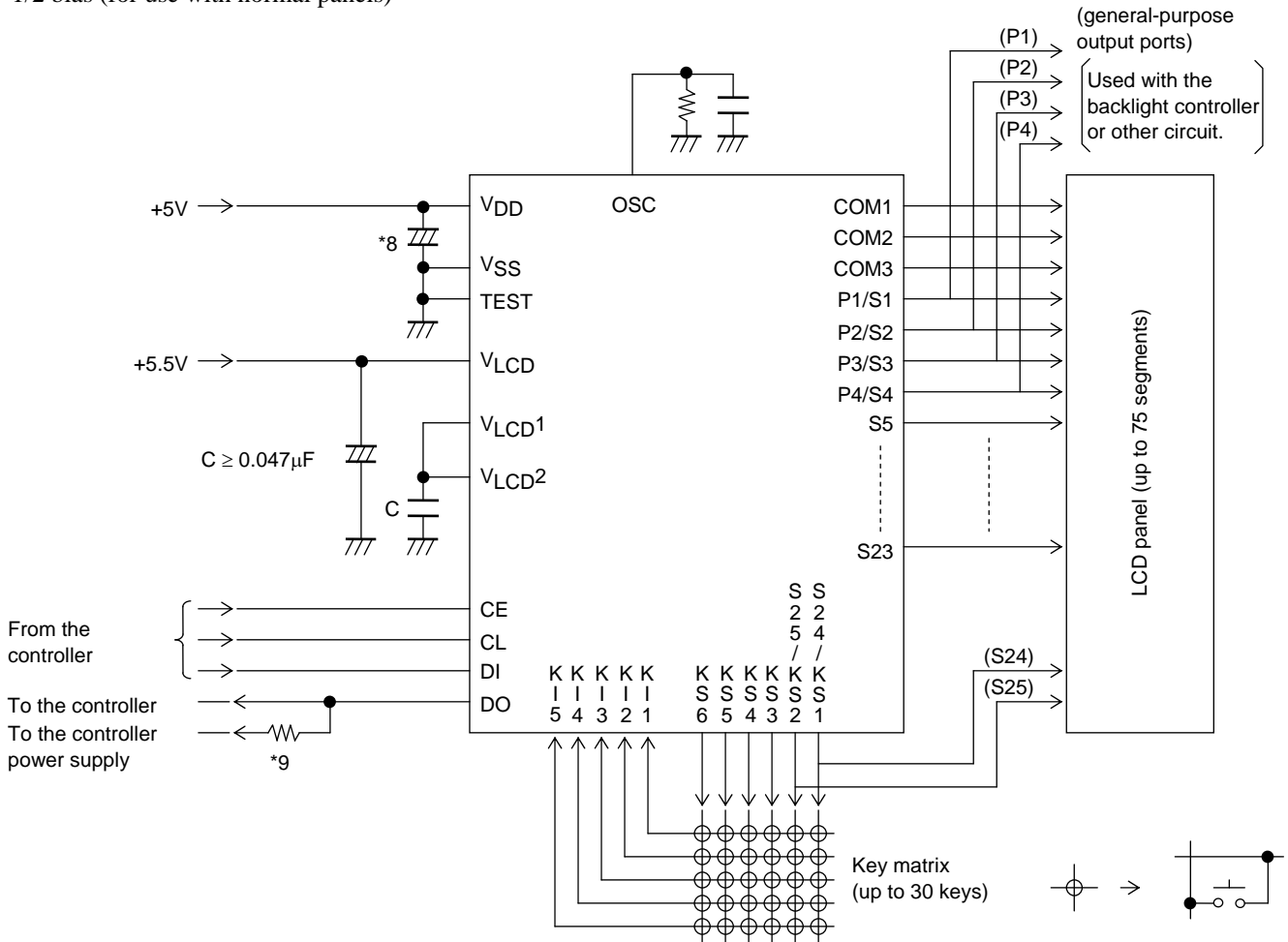
Note: *5. These output pins are forcibly set to the segment output function and held low.

*6. When power is first applied, these output pins are undefined until the S0 and S1 control data bits have been transferred.

*7. Since this output pin is an open-drain output, a pull-up resistor of between 1 and 10kΩ is required. This pin remains high during the reset period even if a key data read operation is performed.

Sample Application Circuit 1

1/2 bias (for use with normal panels)



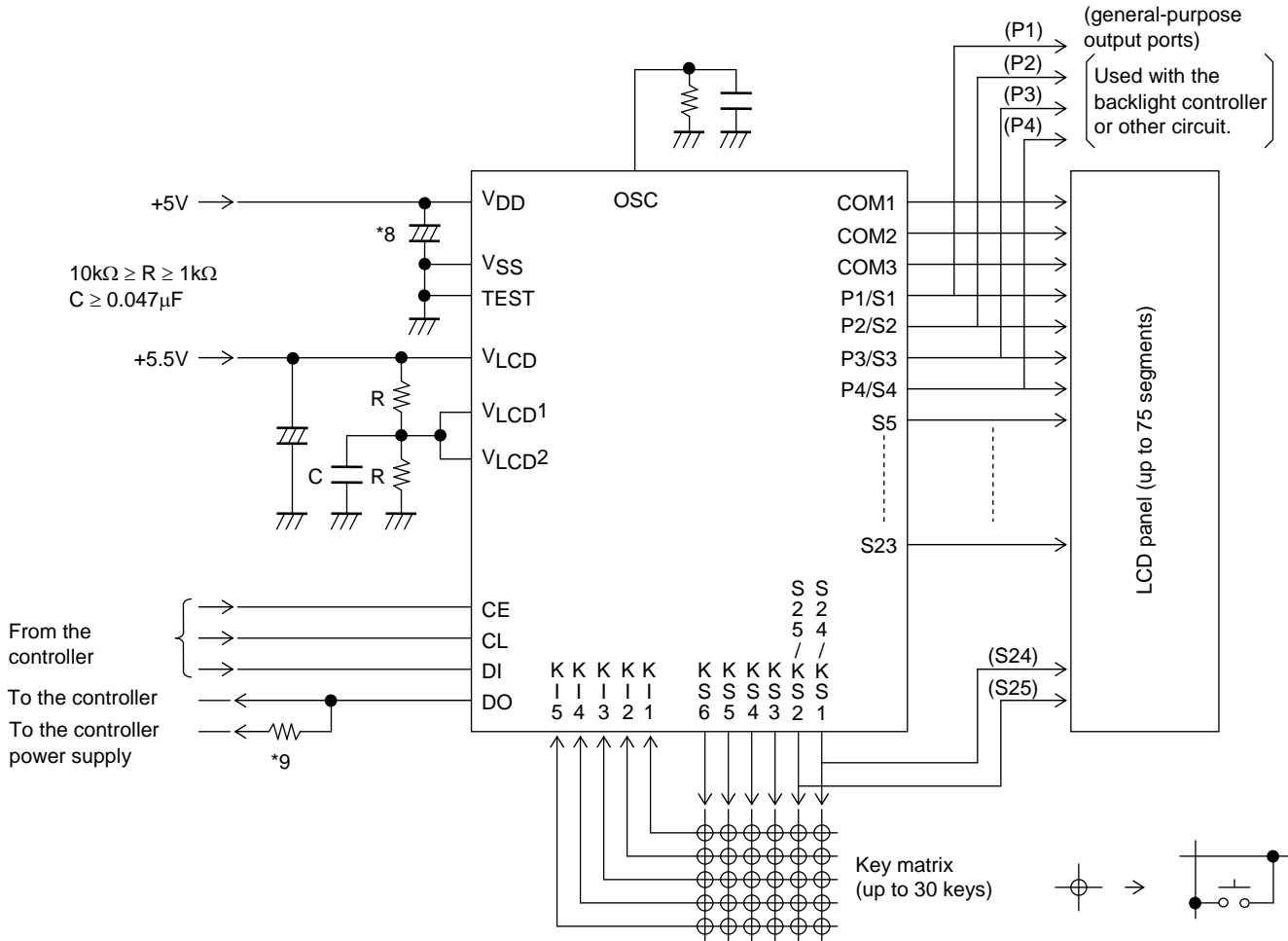
Note: *8. Add a capacitor to the logic block power supply line so that the logic block power supply voltage V_{DD} rise time when power is applied and the logic block power supply voltage V_{DD} fall time when power drops are both at least 1 ms, as the LC75863W is reset by the V_{DET}.

*9. The DO pin, being an open-drain output, requires a pull-up resistor. Select a resistance (between 1 to 10kΩ) appropriate for the capacitance of the external wiring so that signal waveforms are not degraded.

LC75863W

Sample Application Circuit 2

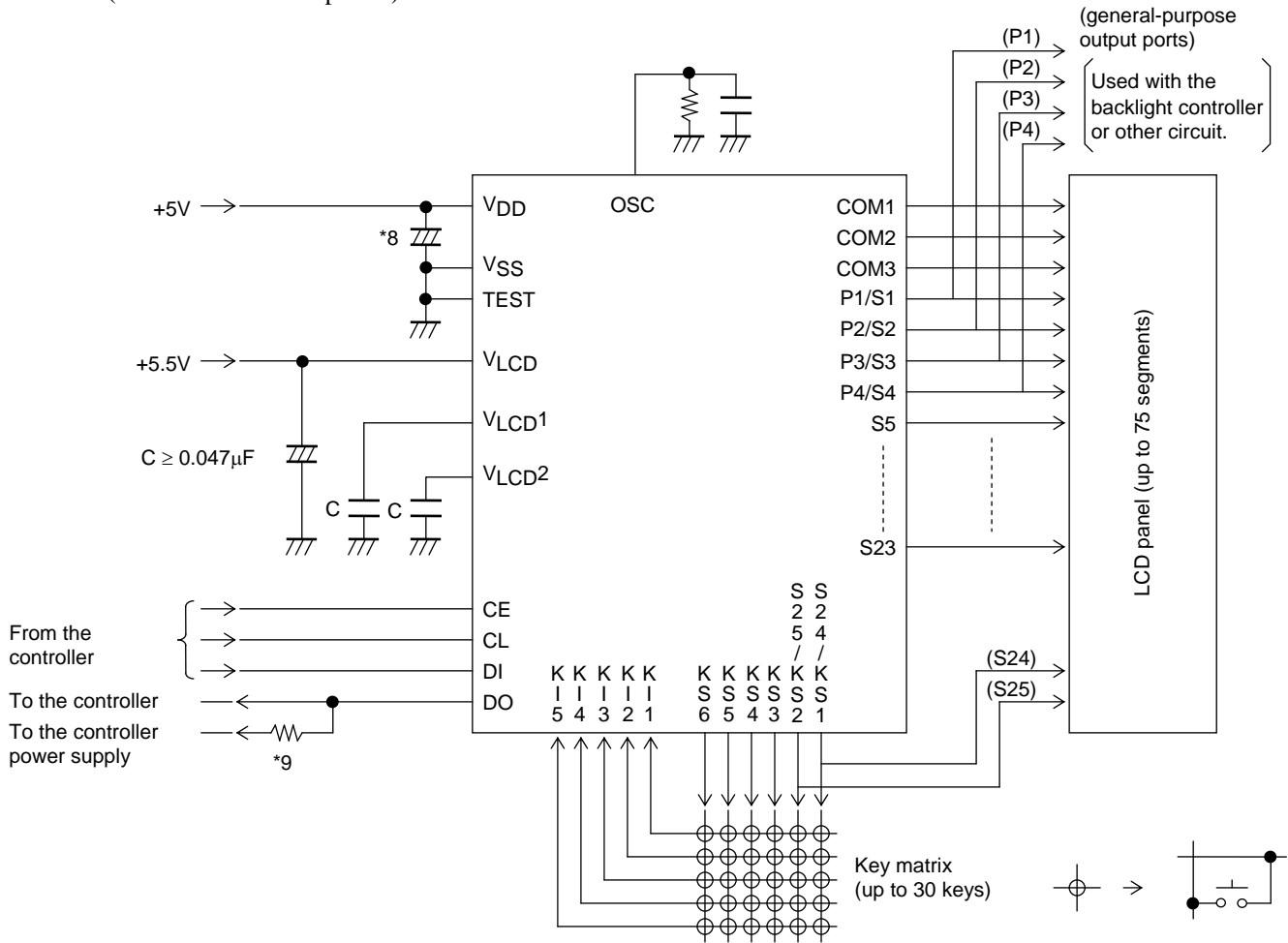
1/2 bias (for use with large panels)



- Note: *8. Add a capacitor to the logic block power supply line so that the logic block power supply voltage V_{DD} rise time when power is applied and the logic block power supply voltage V_{DD} fall time when power drops are both at least 1 ms, as the LC75863W is reset by the V_{DET} .
- *9. The DO pin, being an open-drain output, requires a pull-up resistor. Select a resistance (between 1 to 10k Ω) appropriate for the capacitance of the external wiring so that signal waveforms are not degraded.

Sample Application Circuit 3

1/3 bias (for use with normal panels)

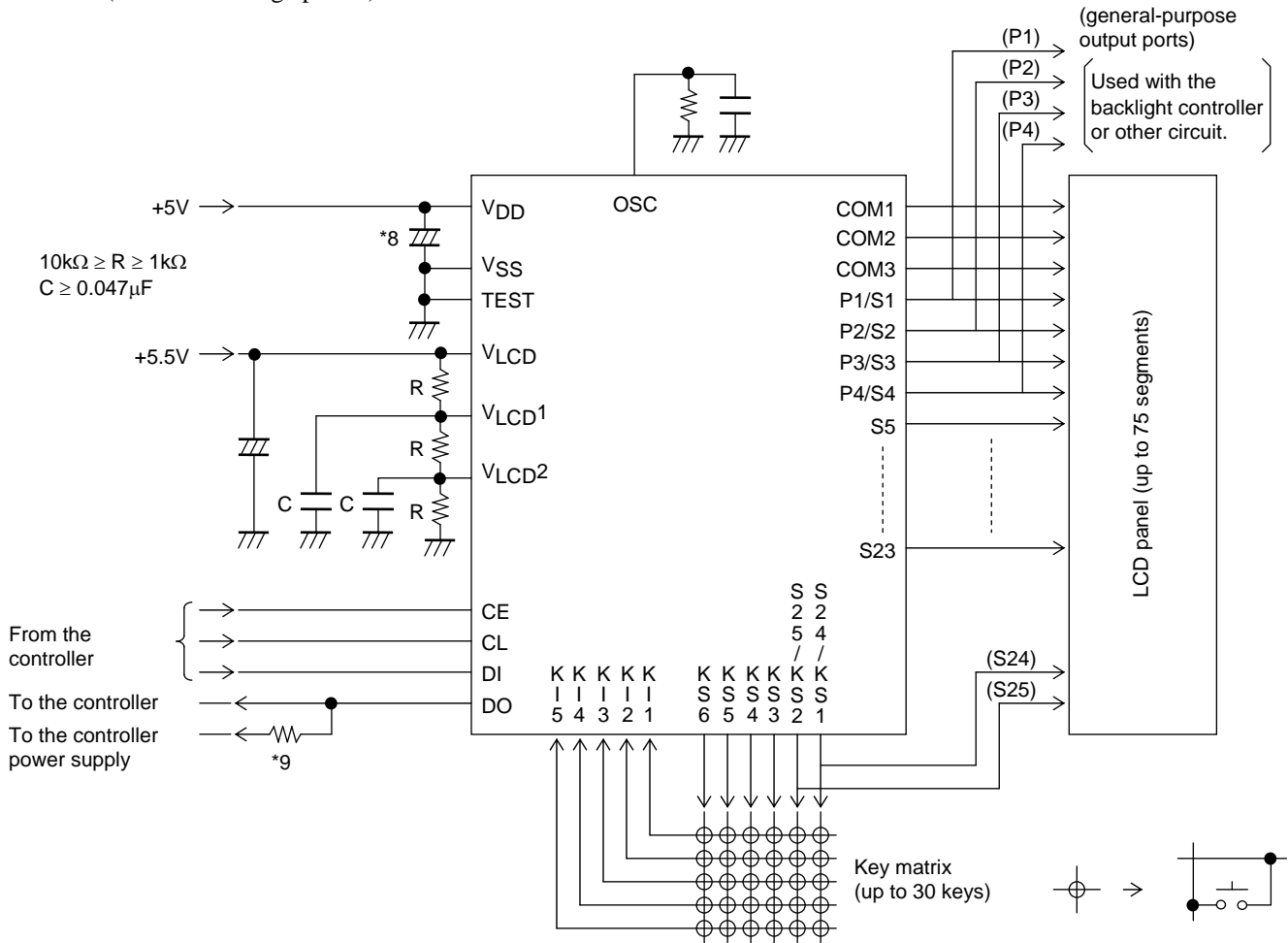


Note: *8. Add a capacitor to the logic block power supply line so that the logic block power supply voltage V_{DD} rise time when power is applied and the logic block power supply voltage V_{DD} fall time when power drops are both at least 1 ms, as the LC75863W is reset by the V_{DET} .

*9. The DO pin, being an open-drain output, requires a pull-up resistor. Select a resistance (between 1 to 10k Ω) appropriate for the capacitance of the external wiring so that signal waveforms are not degraded.

Sample Application Circuit 4

1/3 bias (for use with large panels)



Note: *8. Add a capacitor to the logic block power supply line so that the logic block power supply voltage VDD rise time when power is applied and the logic block power supply voltage VDD fall time when power drops are both at least 1 ms, as the LC75863W is reset by the VDET.

*9. The DO pin, being an open-drain output, requires a pull-up resistor. Select a resistance (between 1 to 10kΩ) appropriate for the capacitance of the external wiring so that signal waveforms are not degraded.

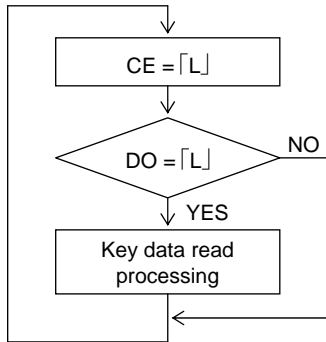
Notes on transferring display data from the controller

The display data (D1 to 75) is transferred to the LC75863W in two operations. All of the display data should be transferred within 30ms to maintain the quality of the displayed image.

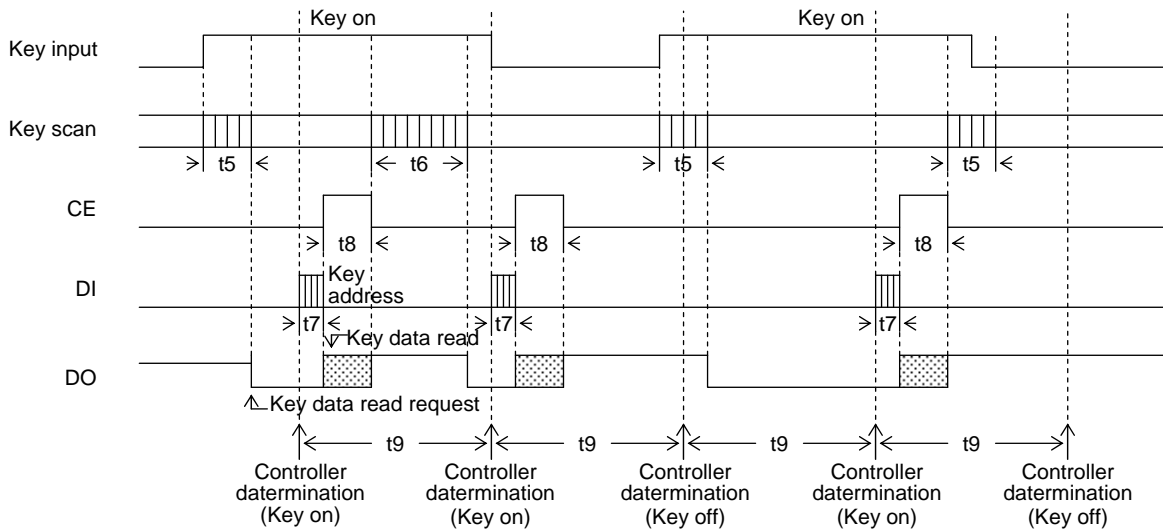
Notes on the Controller Key Data Read Techniques

(1) Timer based key data acquisition

1) Flowchart



2) Timing chart



t5 Key scan execution time when the key data agreed for two key scans. (615T(s))

t6 Key scan execution time when the key data did not agree for two key scans and the key scan was executed again. (1230T(s))

t7 Key address (43H) transfer time

$$T = \frac{1}{f_{osc}}$$

t8 Key data read time

3) Explanation

In this technique, the controller uses a timer to determine key on/off states and read the key data. The controller must check the DO state when CE is low every t9 period without fail. If DO is low, the controller recognizes that a key has been pressed and executes the key data read operation.

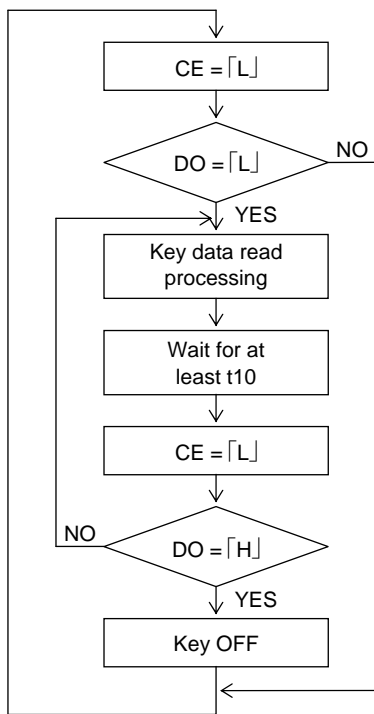
The period t9 in this technique must satisfy the following condition.

$$t9 > t6 + t7 + t8$$

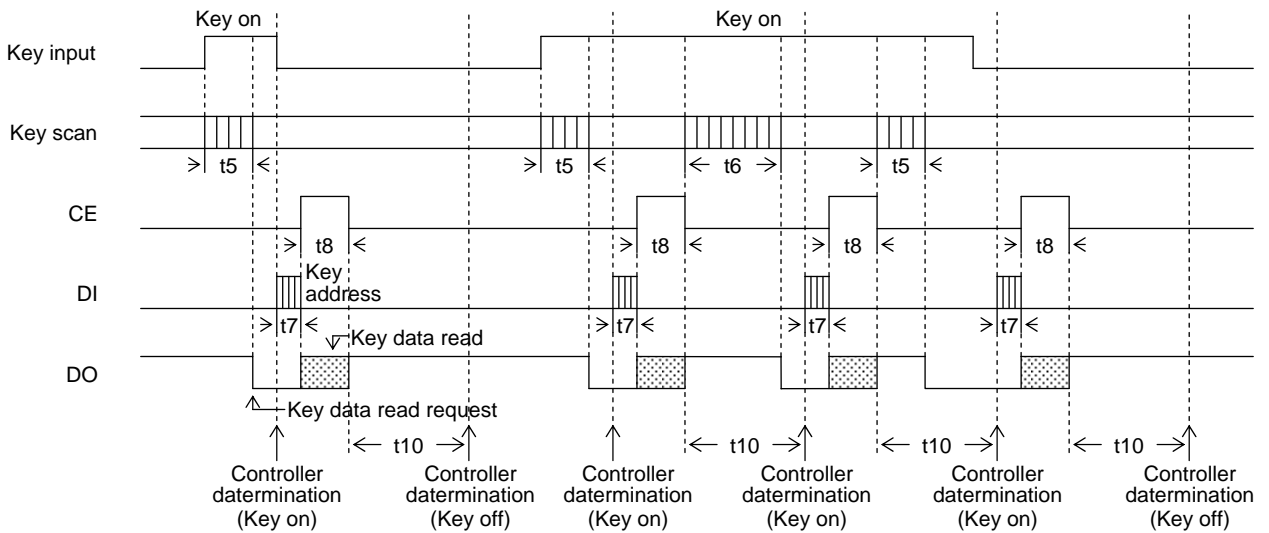
If a key data read operation is executed when DO is high, the read key data (KD1 to KD30) and sleep acknowledge data (SA) will be invalid.

(2) Interrupt based key data acquisition

1) Flowchart



2) Timing chart



t_5 Key scan execution time when the key data agreed for two key scans. (615T(s))

t_6 Key scan execution time when the key data did not agree for two key scans and the key scan was executed again. (1230T(s))

t_7 Key address (43H) transfer time

$$T = \frac{1}{f_{osc}}$$

t_8 Key data read time

3) Explanation

In this technique, the controller uses interrupts to determine key on/off states and read the key data. The controller must check the DO state when CE is low. If DO is low, the controller recognizes that a key has been pressed and executes the key data read operation. After that the next key on/off determination is performed after the time t10 has elapsed by checking the DO state when CE is low and reading the key data. The period t10 in this technique must satisfy the following condition.

$$t10 > t6$$

If a key data read operation is executed when DO is high, the read key data (KD1 to KD30) and sleep acknowledge data (SA) will be invalid.

ORDERING INFORMATION

Device	Package	Shipping (Qty / Packing)
LC75863W-E	SQFP48(7X7) (Pb-Free)	50 / Tray Foam
LC75863WS-E	SQFP48(7X7) (Pb-Free)	50 / Tray Foam

ON Semiconductor and the ON logo are registered trademarks of Semiconductor Components Industries, LLC (SCILLC). SCILLC owns the rights to a number of patents, trademarks, copyrights, trade secrets, and other intellectual property. A listing of SCILLC's product/patent coverage may be accessed at www.onsemi.com/site/pdf/Patent-Marking.pdf. SCILLC reserves the right to make changes without further notice to any products herein. SCILLC makes no warranty, representation or guarantee regarding the suitability of its products for any particular purpose, nor does SCILLC assume any liability arising out of the application or use of any product or circuit, and specifically disclaims any and all liability, including without limitation special, consequential or incidental damages. "Typical" parameters which may be provided in SCILLC data sheets and/or specifications can and do vary in different applications and actual performance may vary over time. All operating parameters, including "Typicals" must be validated for each customer application by customer's technical experts. SCILLC does not convey any license under its patent rights nor the rights of others. SCILLC products are not designed, intended, or authorized for use as components in systems intended for surgical implant into the body, or other applications intended to support or sustain life, or for any other application in which the failure of the SCILLC product could create a situation where personal injury or death may occur. Should Buyer purchase or use SCILLC products for any such unintended or unauthorized application, Buyer shall indemnify and hold SCILLC and its officers, employees, subsidiaries, affiliates, and distributors harmless against all claims, costs, damages, and expenses, and reasonable attorney fees arising out of, directly or indirectly, any claim of personal injury or death associated with such unintended or unauthorized use, even if such claim alleges that SCILLC was negligent regarding the design or manufacture of the part. SCILLC is an Equal Opportunity/Affirmative Action Employer. This literature is subject to all applicable copyright laws and is not for resale in any manner.