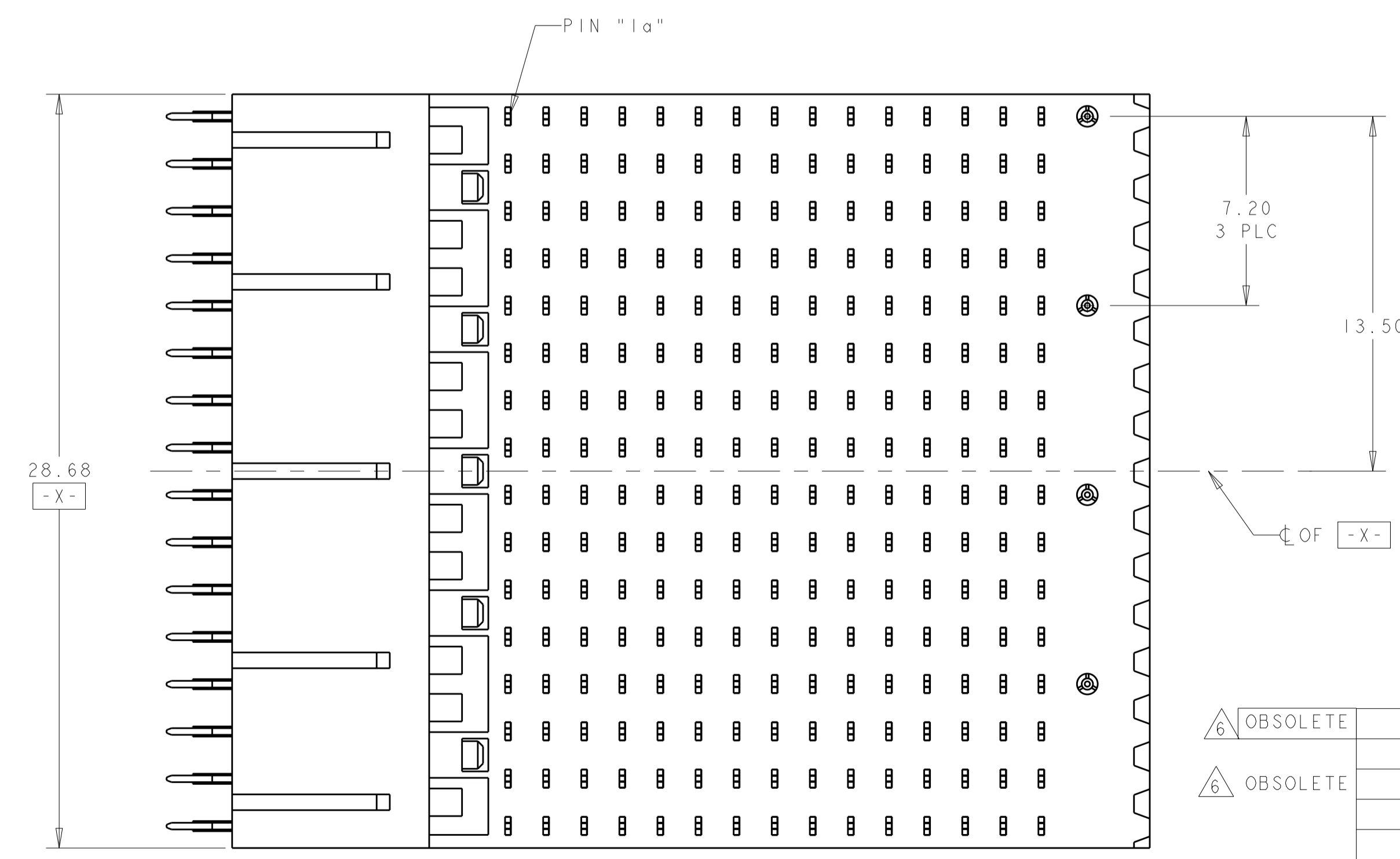
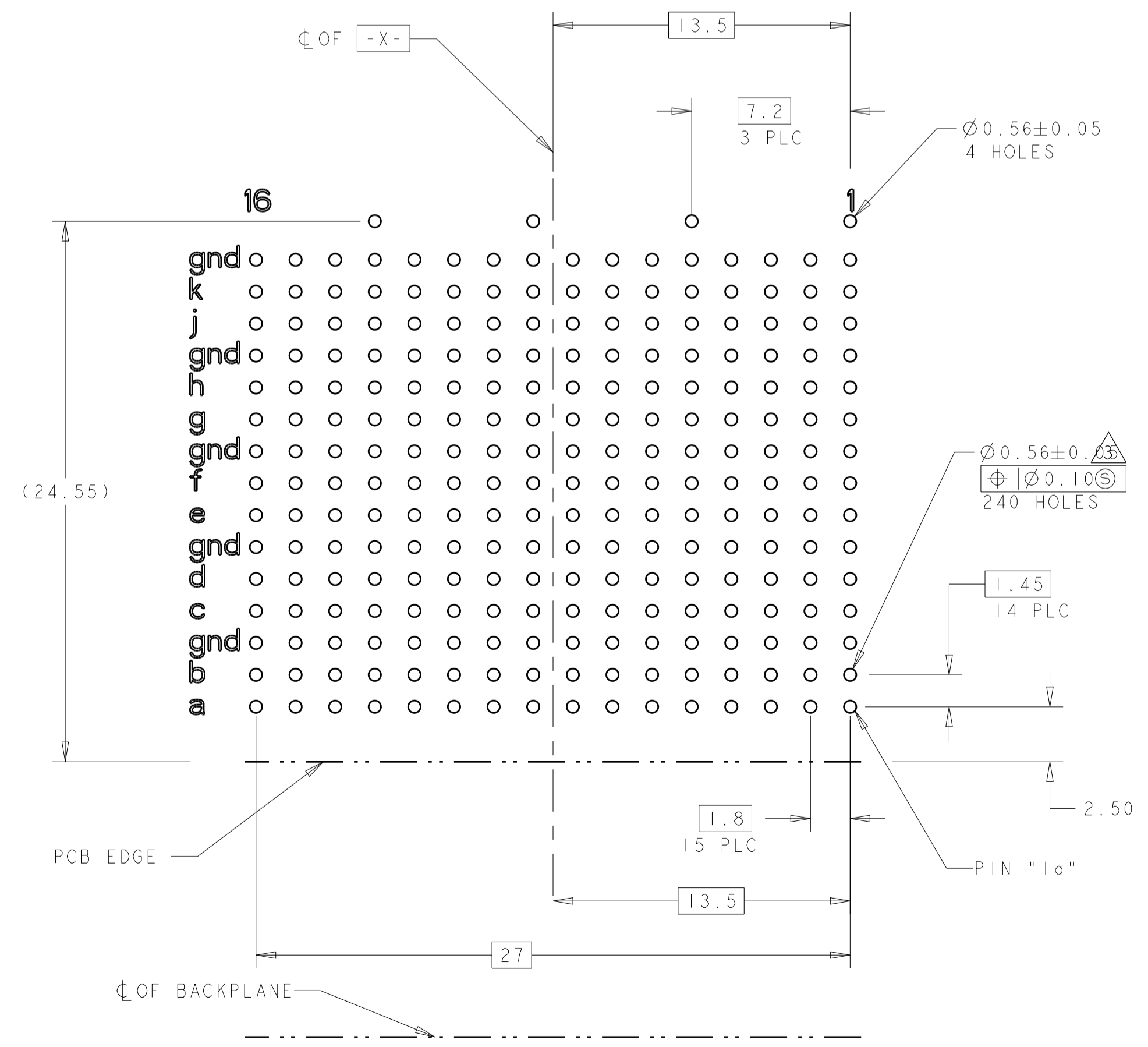
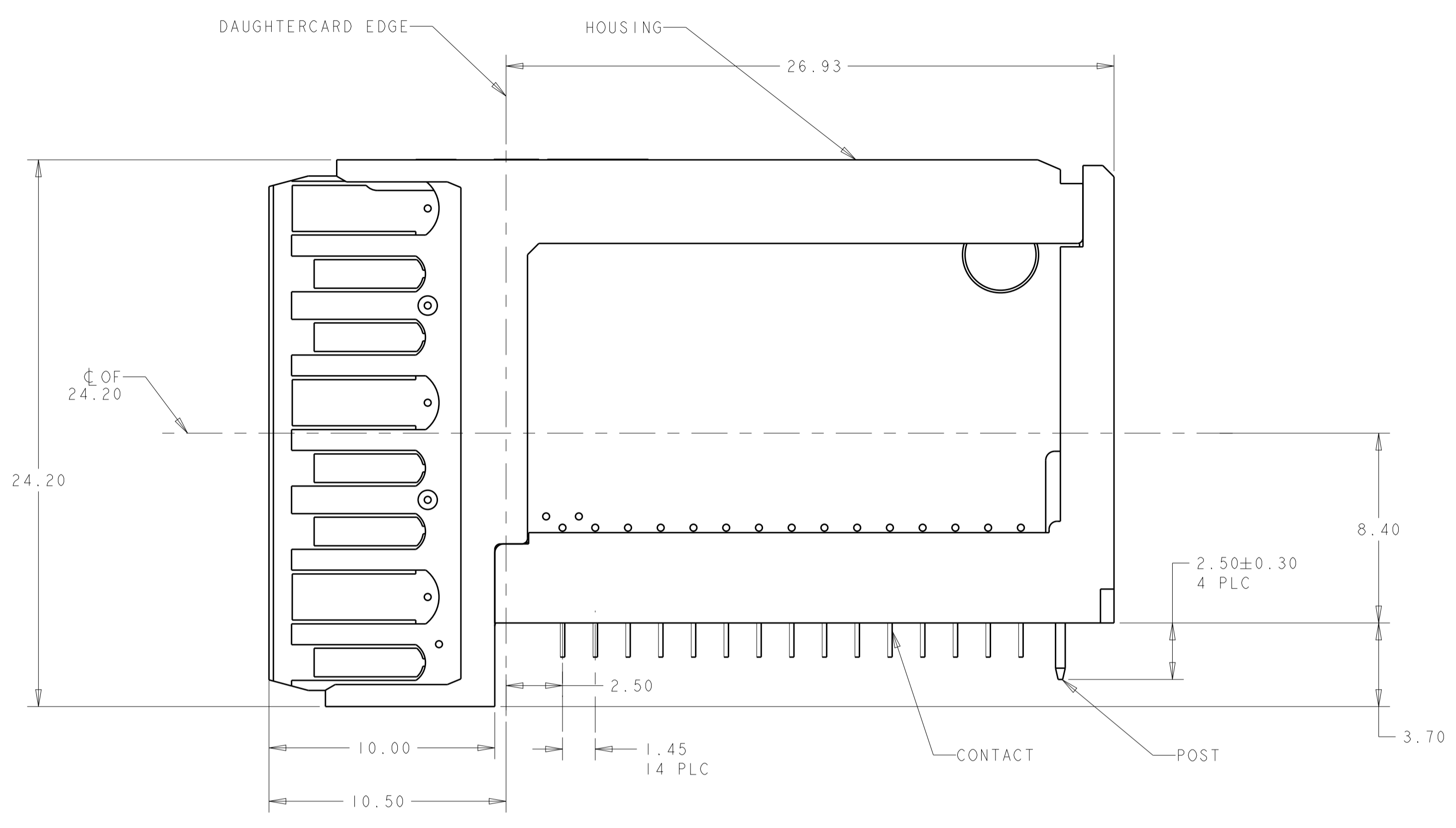
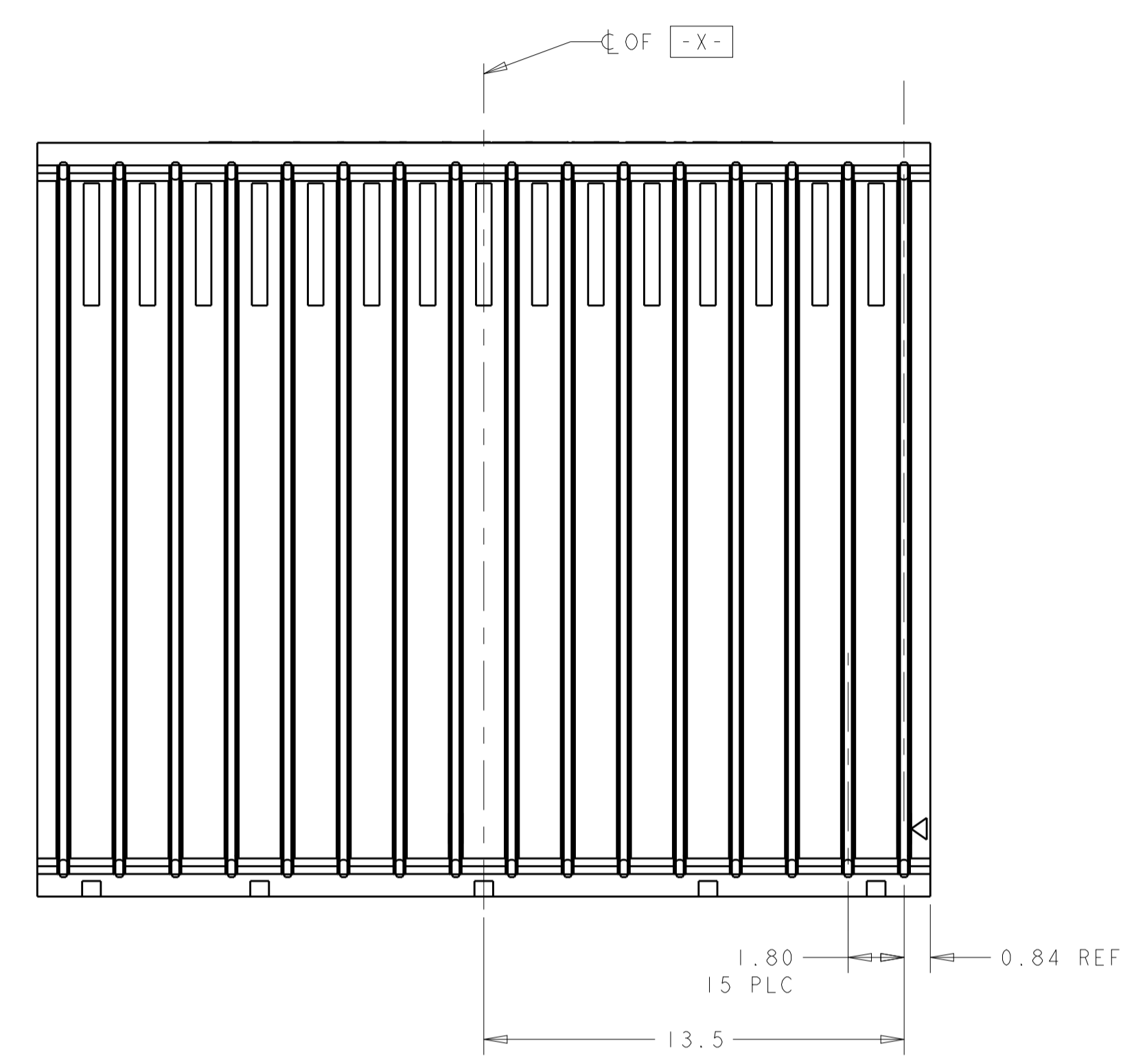


LOC		DIST		REVISIONS			
P	LTN	DESCRIPTION	DATE	DWN	APVD		
A2		REVISED PER ECO-12-011861	28JUN2012	KH	AS		



- 1 HOUSING: LCP, UL94V-0, BLACK.
CONTACT: PHOSPHOR BRONZE.
POST: BRASS WIRE.
- 2 CONTACT: 0.76 µm GOLD PER ASTM B 488 IN CONTACT AREA,
1.27 µm MIN TIN-LEAD
ON PCB TAIL,
OVER 1.27µm MIN NICKEL PER
SAE AMS-00-N-290 OVER ALL.
POST: 1.27 µm MIN NICKEL.
- 3 PLATED THROUGH HOLE PER 114-13056,
FIGURE 4.
- 4 CONTACT: 0.76 µm GOLD PER ASTM B 488 IN CONTACT AREA,
1.27 µm MIN MATTE TIN PER ASTM B 545
ON PCB TAIL,
OVER 1.27 µm MIN NICKEL PER
SAE AMS-00-N-290 OVER ALL.
POST: 1.27 µm MIN NICKEL.
- 5 NOTE DELETED.
- 6 OBSOLETE PARTS: OBSOLETE CIS STREAMLINING PER D.RENAUD/D.SINISI

FINISH	DESCRIPTION	PART NO
4	DIFFERENTIAL PAIR, NONSEQUENTIAL	1410215-4
4	SINGLE END, NONSEQUENTIAL	1410215-3
2	DIFFERENTIAL PAIR, NONSEQUENTIAL	1410215-2
2	SINGLE END, NONSEQUENTIAL	1410215-1

THIS DRAWING IS A CONTROLLED DOCUMENT.

DWN: D.E.STAHL 06JUN2000
 CHK: S.MICKLEVICZ 06JUN2000
 APVD: S.MICKLEVICZ 06JUN2000

DIMENSIONS: mm
 TOLERANCES UNLESS OTHERWISE SPECIFIED:
 0 PLC ±
 2 PLC ±0.13
 3 PLC ±0.013
 4 PLC ±

MATERIAL: FINISH:

STE TE Connectivity

NAME: RIGHT-ANGLE PLUG ASSEMBLY, CENTER, FULL, 25.4mm, Multigig RT 1, DAUGHTERCARD CONNECTOR

PRODUCT SPEC: 108-2072
 APPLICATION SPEC: 114-13056

SIZE: A100779
 CAGE CODE: 1410215
 DRAWING NO: 1410215-4

RESTRICTED TO: CUSTOMER DRAWING

SCALE: 8:1 SHEET 1 OF 1 REV: A2