

Description

Single, two and three pole rocker switch/thermal trip free circuit breakers (S-type TO CBE to EN 60934) of compact design for snap-in panel mounting. Available either with protection on one/both/all poles or, in the case of the double pole version, protection on one pole only. Illumination is optional and there is a choice of rocker colours. Approved to CBE standard EN 60934 (IEC 60934).

Typical applications

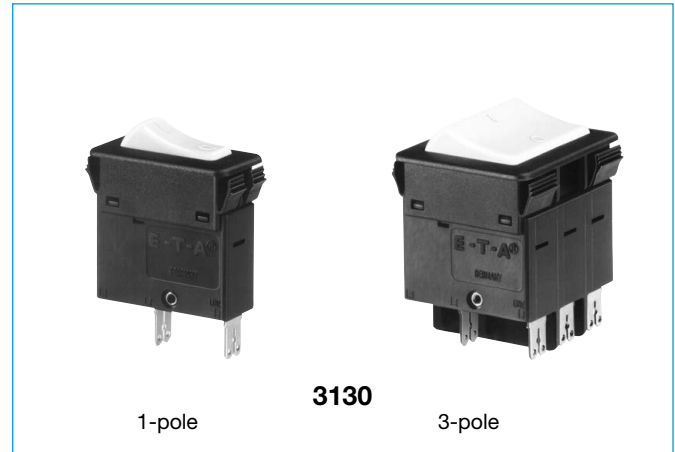
Motors, transformers, solenoids, household and office machines, electrical tools, mobile homes, boating, construction vehicles, medical equipment to EN 60601.

Standard current ratings and typical internal resistance values

Current rating (A)	Internal resistance per pole (Ω)	Current rating (A)	Internal resistance per pole (Ω)
0.1	94	4	0.0435
0.2	24	5	0.0325
0.3	12	6	0.0215
0.4	5.30	7	0.0165
0.5	4.20	8	0.0165
0.8	1.50	10	< 0.02
1	0.9	12	< 0.02
1.2	0.80	14	< 0.02
1.5	0.45	15	< 0.02
2	0.27	16	< 0.02
2.5	0.0785	18	< 0.02
3	0.0595	20	< 0.02
3.5	0.0565		

Illumination voltage/power consumption

operating voltage	power consumption		
	1-pole	2-/3-pole	2-/3-pole
		Y+R	G
12 V	9 mA	2 mA	3.5 mA
24 V	9 mA	2 mA	3.5 mA
48 V	9 mA	2 mA	3.5 mA
115 V	< 1 mA	0.9 mA	2.8 mA
230 V	< 1 mA	0.9 mA	2.8 mA
400 V	-	0.9 mA	2.8 mA



1-pole

3130

3-pole

Technical data

For further details please see chapter: Technical Information

Voltage rating AC 240 V; 3 AC 415 V; DC 50 V
(UL: AC 250 V; 3 AC 250 V; DC 50 V)

Current ratings 0.1...20 A 1-pole
0.1...16 A 2- and 3-pole

Typical life **1-pole**
AC 240 V: 0.1...20 A 30,000 operations at 1 x I_N, inductive
DC 50 V: 0.1...4 A 30,000 operations at 1 x I_N, inductive
4.5...16 A 30,000 operations at 1 x I_N, resistive
DC 28 V: 0.1...20 A 30,000 operations at 1 x I_N, inductive

2-pole
AC 240 V: 0.1...16 A 50,000 operations at 1 x I_N, inductive
DC 50 V: 0.1...16 A 50,000 operations at 1 x I_N, inductive

3-pole
3 AC 415 V: 0.1...16 A 30,000 operations at 1 x I_N, inductive

Ambient temperature -30...+60 °C (-22...+140 °F)

Insulation co-ordination (IEC 60664 and 60664 A) rated impulse withstand voltage 2.5 kV
pollution degree 2
reinforced insulation in operating area

Dielectric strength (IEC 60664 and 60664A) test voltage
operating area AC 3,000 V
current path/current path AC 1,500 V

Insulation resistance > 100 MΩ (DC 500 V)

Interrupting capacity I_{cn} 0.1...2 A 10 x I_N
2.5...20 A 150 A 1-pole
2.5...16 A 250 A 2-pole
2.5...12 A 150 A 3-pole
14 + 16 A 130 A 3-pole

Interrupting capacity (UL 1077)

	I _N	U _N	I _{nc}
1, 2-pole	0.1...16 A	AC 250 V	3500 A
3-pole	0.1...12 A	3 AC 250 V	5000 A
1,2-pole	0.1...16 A	DC 50 V	2000 A

Degree of protection operating area IP40
terminal area IP00

Vibration 5 g (57-500 Hz) ± 0.38 mm (10-57 Hz)
to IEC 60068-2-6, test Fc
10 frequency cycles/axis

Shock 1-pole: 25 g (11 ms) 2 + 3-pole: 20 g (11 ms)
to IEC 60068-2-27, test Ea

Corrosion 96 hours at 5 % salt mist,
to IEC 60068-2-11, test Ka

Humidity 240 hours at 95 % RH,
to IEC 60068-2-78, test Cab

Mass approx. 45 g (three pole)
approx. 31 g (double pole)
approx. 17 g (single pole)

Ordering information - 1-pole

Type No.	3130	single pole thermal circuit breaker
Mounting	F	snap in frame
Frame	1	standard
Number of poles	1	single pole, thermally protected
Frame mounting	0	panel thickness 1-2.5 mm (.039-.099 in)
Terminal design	P7	blade terminals DIN 46244-C-Ms-S (QC 2x.110)
	H7	for terminals 1.1, 2.1 3.1 terminal screws M 3.5 for terminals 1.2, 2.2, 3.2 blade terminals (QC 2x.110)
Characteristic curve	T1	thermal 1.05-1.4 I _N
Actuator style	W	rocker switch with marking „I“ and „O“ moulded in
Actuator colour	01 Q	black opaque without illumination
	02 Q	white opaque without illumination
	04 Q	red opaque without illumination
	14 Q R	red translucent with LED-illumination
	15 Q Y	orange translucent with LED-illumination
	19 Q G	green translucent with LED-illumination (DC only)
Illumination voltage range*	2	10 - 14 V DC
	3	20 - 28 V DC
	6	90 - 140 V AC
	7	185 - 275 V AC
Current ratings	0,1...20 A	

3130 - F 1 1 0 - P7 T1 - W 14 Q R 3 - 5 A ordering example

* N/A for non-illuminated version

Preferred types

Preferred types 3130 1-pole	Standard current ratings (A)									
	1	2	3	4	5	8	10	15	16	20
3130-F110-P7T1-W01Q-	x	x	x	x	x	x	x	x	x	x

Approvals

Authority	Standard	Rated voltage	Current ratings
VDE	IEC/EN 60934	AC 240 V AC 240/415 V DC 50 V DC 50 V DC 28 V	0.1 A...20 A (single pole) 0.1 A...16 A (multipole) 0.1 A...8 A (single pole) 0.1 A...16 A (multipole) 0.1 A...20 A (single pole)
UL	UL 1077	AC 250 V AC 250 V DC 50 V	0.1 A...16 A (1 + 2 pole) 0.1 A...12 A (3 pole) 0.1 A...16 A (1 - 3 pole)
CSA	C22.2 No 235	AC 250 V AC 250 V DC 50 V	0.1 A...16 A (1 + 2 pole) 0.1 A...12 A (3 pole) 0.1 A...16 A (1 - 3 pole)

Ordering information - multipole

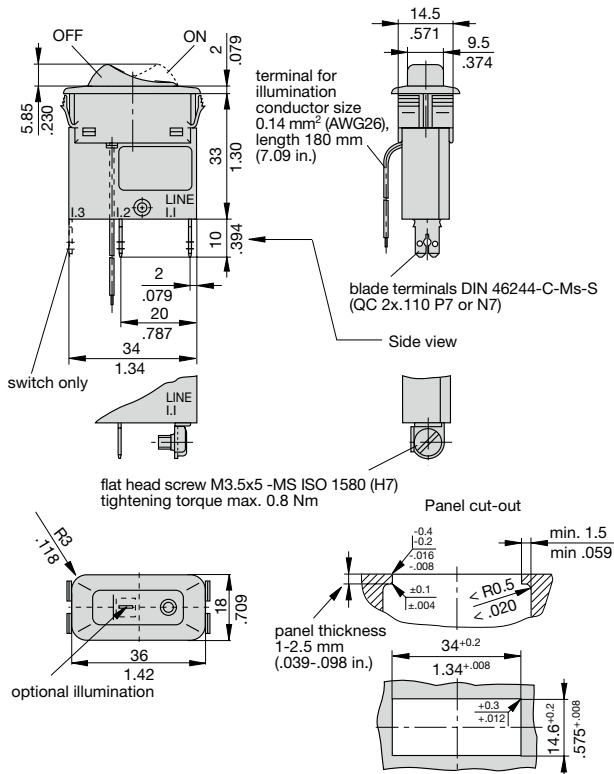
Type No.	3130	multipole thermal circuit breaker
Mounting	F	snap in frame
Frame	1	standard
	A	version for X3130
Number of poles	2	2-pole thermally protected
	3	3-pole thermally protected
	5	2-pole, 1-pole thermally protected
Frame mounting	0	panel thickness 1-2.5 mm (.039-.099 in)
	A	2-pole, version for X3130
Terminal design	P7	blade terminals DIN 46244-C-Ms-S (characteristic curve T1)
	H7	for terminals 1.1, 2.1 3.1 terminal screws M 3.5 for terminals 1.2, 2.2, 3.2 blade terminals (QC 2x.110)
Characteristic curve	T1	thermal 1.05-1.4 I _N
Actuator style	W	rocker switch with marking „I“ and „O“ moulded in
Actuator colour	01 Q	black opaque without illumination
	02 Q	white opaque without illumination
	04 Q	red opaque without illumination
	14 Q R	red translucent with LED-illumination
	15 Q Y	orange translucent with LED-illumination
	19 Q G	green translucent with LED-illumination
Illumination voltage range*	2	10 - 14 V DC
	3	20 - 28 V DC
	6	90 - 140 V AC
	7	185 - 275 V AC
	8	320 - 450 V AC
Current ratings	0,1...16 A	

3130 - F 1 3 0 - P7 T1 - W 14 Q R 7 - 5 A ordering example

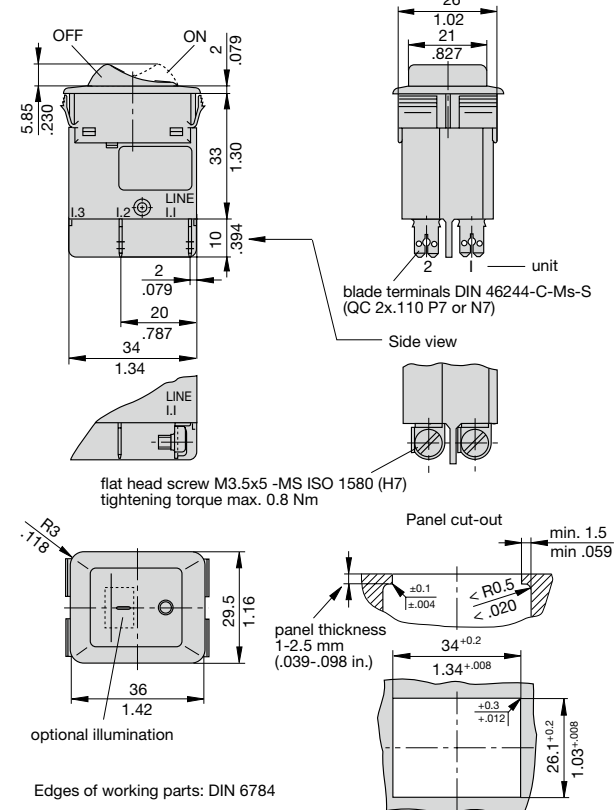
* N/A for non-illuminated version

Dimensions

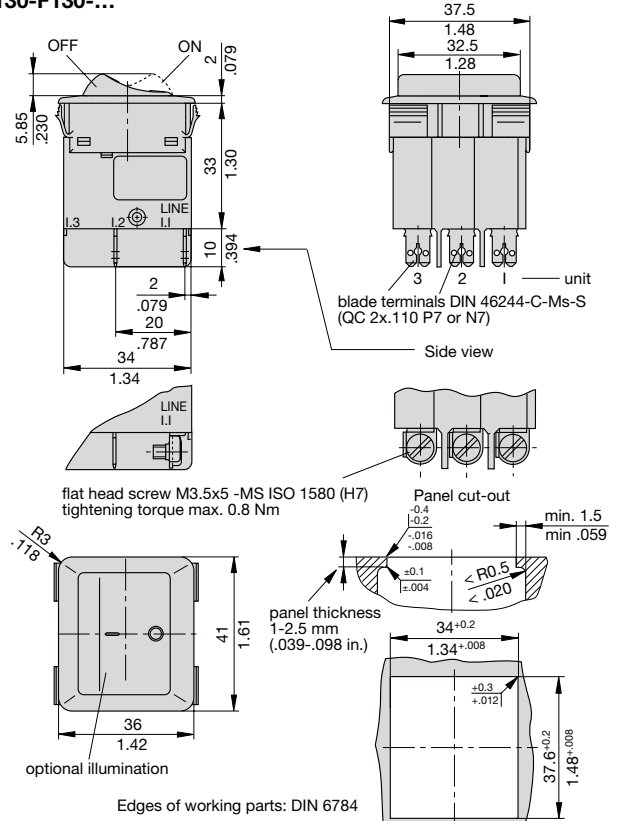
3130-F110-...



3130-F120-...

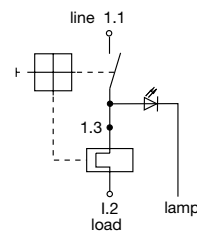


3130-F130-...

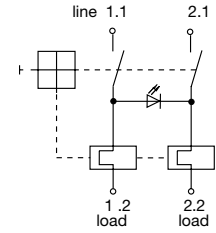


Internal connection diagrams

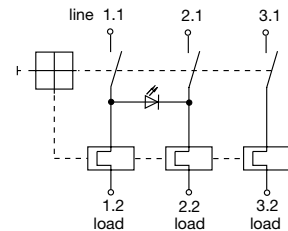
1-pole



2-pole



3-pole



This is a metric design and millimeter dimensions take precedence (mm/inch)

Description

The appliance inlet module X3130 with double pole circuit breaker 3130-FA.A combines three functions within a single component: A C14 appliance inlet and rocker switch with resettable overcurrent protection; screw mounting from the front or the rear.

Typical applications

Electrical medical apparatus, laboratory equipment, professional audio equipment and office machines.

Ordering information

Type No.

X3130 Appliance inlet module for circuit breaker type 3130-FA.A

Module

A appliance inlet C14

Design

04 screw-type mounting

Accessories

00 without

Version

00 not wired; mounting position 3130: I to connector

01 not wired; mounting position 3130: 0 to connector (standard)

Delivery condition

M module supplied with circuit breaker FA.A

X3130 - A 04 00 01 - M Ordering example

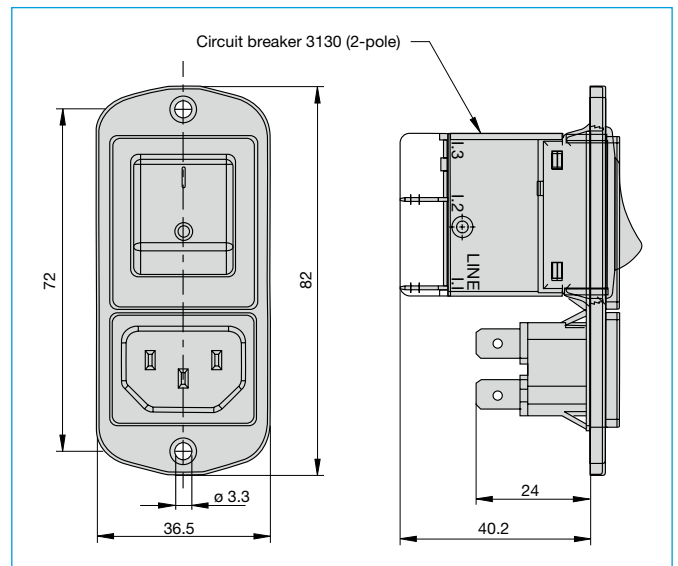
Approvals

Authority	Standard	Rated voltage	Current ratings
UL	UL 489 C22.2 No 42		

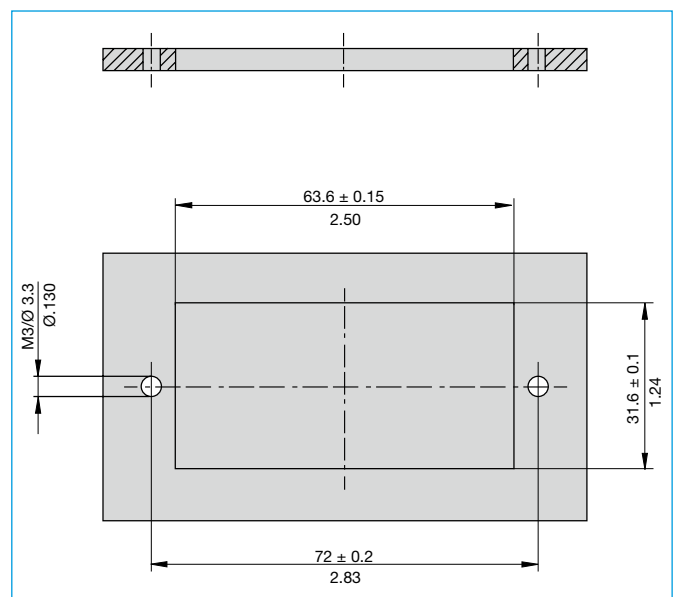
Technical data

Rated voltage	AC 240 V
Rated current	10 A (IEC) 15 A (UL/CSA)
Ambient temperature	-25°C ... 70°C
Number of poles	L, N + ground
Cable cross section	max. 1.5 mm ²
Degree of protection	Class I
Mounting method	screw-type mounting (front or rear)
Terminal design	blade terminals DIN 46244 A6.3 x 0.8
Housing material	thermoplastics, black UL94V-0
Appliance inlet	C14 according to IEC/EN 60320-1, UL 498
Switch	circuit breaker type 3130, 2-pole

Dimensions



Mounting hole X3130



1