

NOTES: UNLESS OTHERWISE SPECIFIED

LTR

DESCRIPTION

REVISIONS

DATE

APPROVED

1. CONSTRUCTION:

HOUSING & PLUNGER: MOLDED NYLON TYPE 6,6. AVAILABLE IN RED & YEL.

CONTACT BLADE: BERYLLIUM COPPER PER QQ-C-533. GOLD PLATER PER MIL-G-45204 TYPE 1, 0.00001

[0.000254] THICK MINIMUM.

SPRING: STAINLESS STEEL TYPE 302.

2. PERFORMANCE:

MAXIMUM CURRENT: 4.4 AMPS WITH 76° TEMPERATURE RISE.

MAXIMUM VOLTAGE: 2.4 KV

MAXIMUM TEMPERATURE: 200°F (93°C)

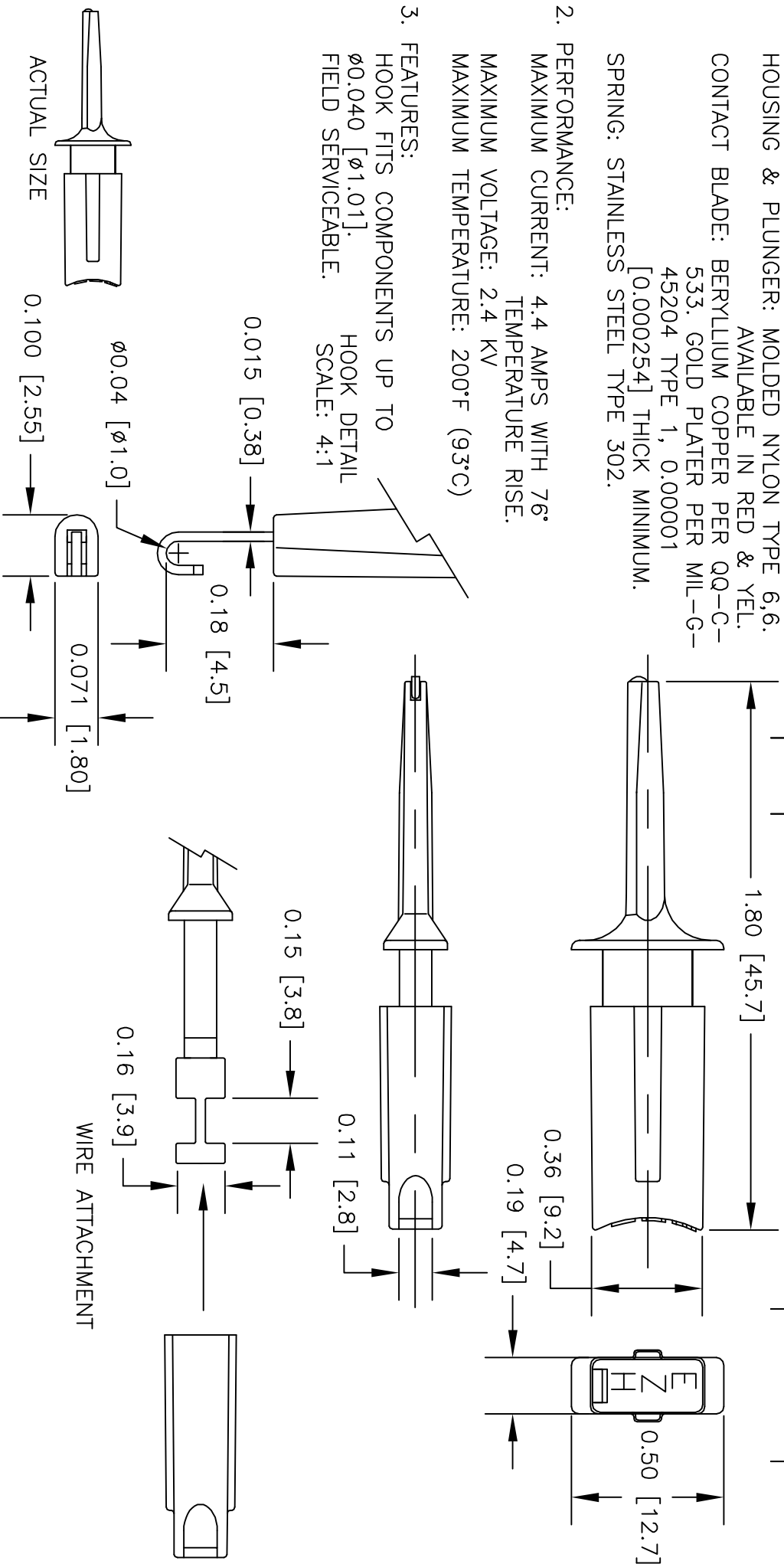
3. FEATURES:

HOOK FITS COMPONENTS UP TO

Ø0.040 [Ø1.01].

FIELD SERVICEABLE.

HOOK DETAIL SCALE: 4:1



UNLESS OTHERWISE SPECIFIED DIMENSIONS ARE IN INCHES TOLERANCES ARE: FRACTIONS DECIMALS ANGLES		CONTRACT NO.		DESCRIPTION	
±	.XX ±	±		APPROVALS	DATE
	.XXX ±	±		DRAWN	
MATERIAL SEE NOTE.		APPROVED BY		R.L.	6/09
FINISH SEE NOTE.					
NEXT ASSY USED ON					
APPLICATION DO NOT SCALE DRAWING				SIZE	CODE IDENT NO.
				A	08505
				SCALE	DRAWING NO.
				2:1	XMRCOLOR
				SHEET 1	OF 1
				REV.	

**EZ-HOOK** DIVISION OF TEKTEST INC. ARCADIA, CA 91006 U.S.A.

DESCRIPTION  
E-Z-MICRO HOOK TEST CONNECTOR

THE INFORMATION CONTAINED IN THIS DOCUMENT IS PROPRIETARY TO E-Z-HOOK. THE INFORMATION IS NOT TO BE REPRODUCED WITHOUT PRIOR WRITTEN PERMISSION OF E-Z-HOOK. DIV. OF TEKTEST INC. MAXIMUM TESTED RATINGS IN A HANDS-FREE CONTROLLED ENVIRONMENT. MAXIMUM RATINGS ARE NOT TO BE USED CONCURRENTLY.